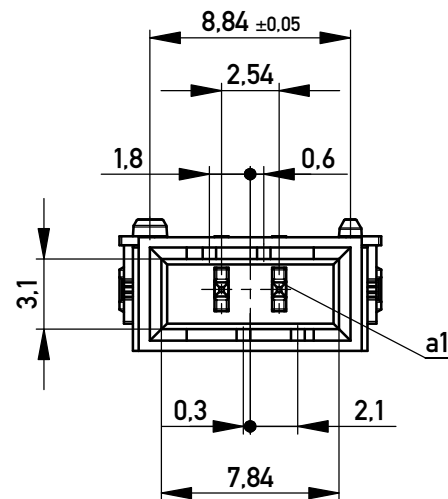
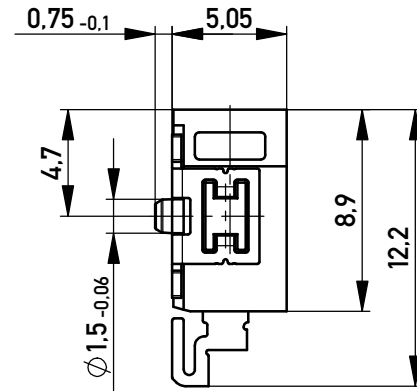
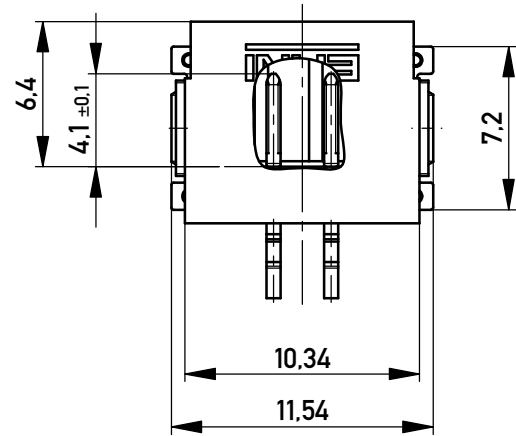
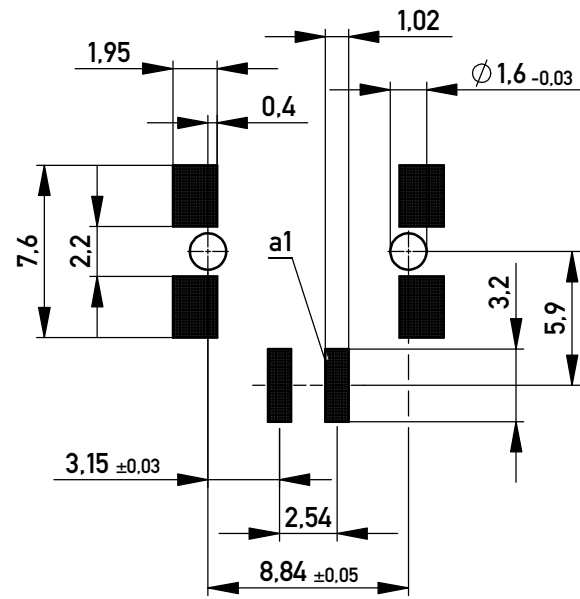


Leiterplatten-Layout Vorschlag für SMT  
PCB-Layout Proposal for SMT



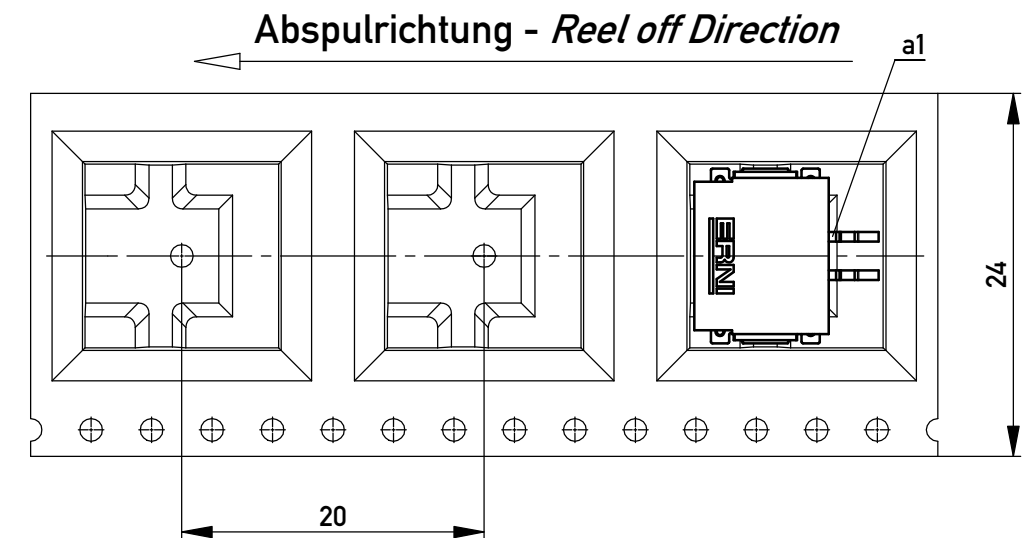
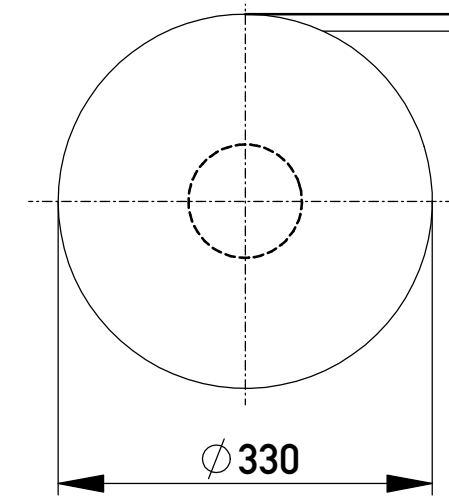
Anforderungsstufe 1  
Performance Level 1

Kontaktbereich vergoldet  
Mating Area gold plating

Anschlussbereich verzinkt 4-6 µm  
Terminal Area 4-6 µm tin plating

Koplanarität der Anschlüsse ≤ 0,1 mm  
Coplanarity Area of Termination ≤ 0,1 mm

Verpackt im Gurt in Anlehnung an DIN IEC 60286-3  
Tape on Reel Packaging according to DIN IEC 60286-3  
Verpackungseinheit: 440 Stück  
Packaging unit: 440 pcs



Copyright by ERNI Production GmbH & Co. KG  
Proprietary notice pursuant to ISO 16016 to be observed.

Information: Codierung schwarz - coding black		Tolerances		Scale	3:1
All rights reserved. Only for Information. To ensure that this is the latest version of this drawing, please contact one of the ERNI companies before using.		Subject to modification without prior notice. Drawing will not be updated.		Designation <b>M 2,54 SRC-A, 2-polig</b>	
g		24.03.2016		100504280001	
Index		Date		Class SRCA	
		www.ERNI.com		K A3	