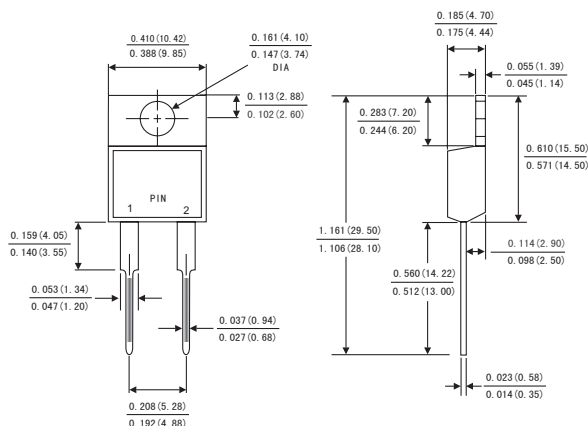


FEATURES

- Plastic package has Underwriters Laboratory Flammability Classification 94V-0
- Fast switching for high efficiency
- Low forward voltage drop
- Single rectifier construction
- High surge capability
- For use in low voltage ,high frequency inverters, free wheeling ,and polarity protection applications
- High temperature soldering guaranteed:260°C/10 seconds, 0.25"(6.35mm)from case
- Component in accordance to RoHS 2011/65/EU



TO-220AC



MECHANICAL DATA

- Case: JEDEC TO-220AC molded plastic body
- Terminals: Lead solderable per MIL-STD-750,method 2026
- Polarity: As marked
- Mounting Position: Any
- Weight: 0.08ounce, 2.24 gram

Dimensions in inches and (millimeters)

MAXIMUM RATINGS AND ELECTRICAL CHARACTERISTICS

(Ratings at 25°C ambient temperature unless otherwise specified ,Single phase ,half wave ,resistive or inductive load. For capacitive load,derate by 20%.)

	Symbols	MUR 1020	MUR 1040	MUR 1060	Units
Maximum repetitive peak reverse voltage	V _{RRM}	200	400	600	Volts
Maximum RMS voltage	V _{RMS}	140	280	420	Volts
Maximum DC blocking voltage	V _{DC}	200	400	600	Volts
Maximum average forward rectified current(see Fig.1)	I(AV)	10.0			Amps
Peak forward surge current 8.3ms single half sine-wave superimposed on rated load (JEDEC method)	I _{FSM}	120			Amps
Maximum instantaneous forward voltage at 10.0 A(Note 1)	V _F	0.975	1.3	1.7	Volts
Maximum instantaneous reverse current at rated DC blocking voltage(Note 1)	T _a =25°C	5			μA
	T _a =125°C	250			
Maximum Reverse Recovery Time (Note 2)	T _{rr}	35			ns
Typical thermal resistance (Note 3)	R _{θJC}	2.5			°C/W
Operating junction temperature range	T _J	-55 to+150			°C
Storage temperature range	T _{STG}	-55 to+150			°C

- Notes:**
1. Pulse test: 300μs pulse width,1% duty cycle
 2. Reverse recovery test conditions I_r=0.5A,I_r=1.0A, I_{rr}=0.25A
 3. Thermal resistance from junction to case

RATINGS AND CHARACTERISTIC CURVES MUR1020 THRU MUR1060

FIG.1-FORWARD CURRENT DERATING CURVE

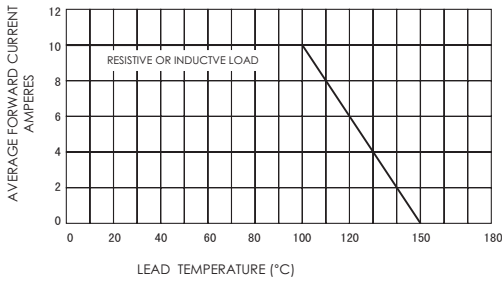


FIG.3-TYPICAL INSTANTANEOUS FORWARD CHARACTERISTICS

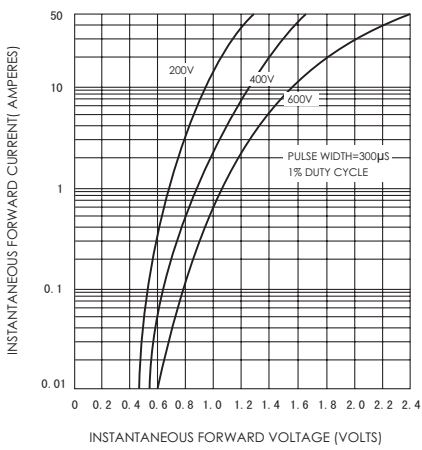


FIG.5-TYPICAL JUNCTION CAPACITANCE

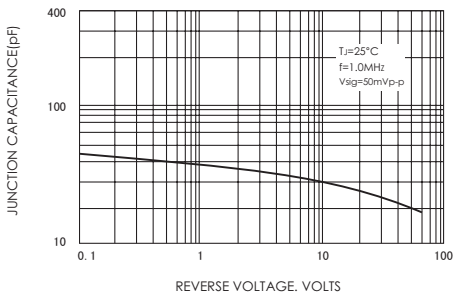


FIG.2-MAXIMUM NON-REPETITIVE PEAK FORWARD SURGE CURRENT

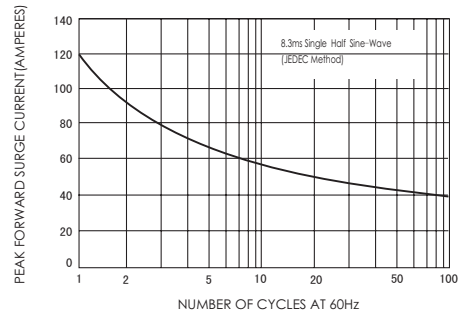


FIG.4-TYPICAL REVERSE CHARACTERISTICS

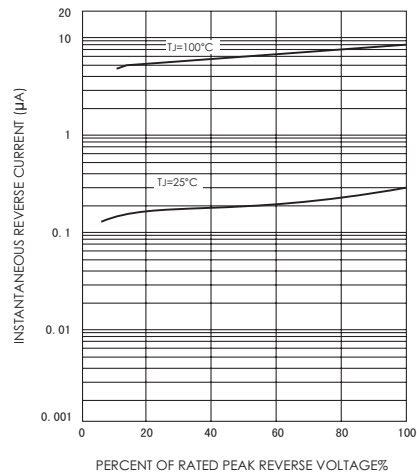


FIG.6-TYPICAL TRANSIENT THERMAL IMPEDANCE

