



### FEATURES

Male/female lead styles - High voltage/current - Low ESR

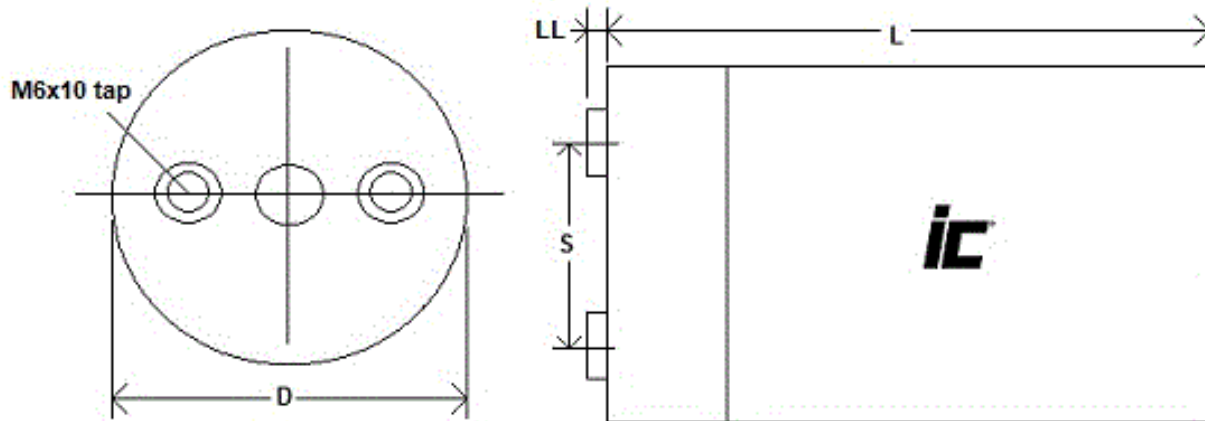
### APPLICATIONS

Induction heaters - DC link - AC/DC motor controls - Power inverters

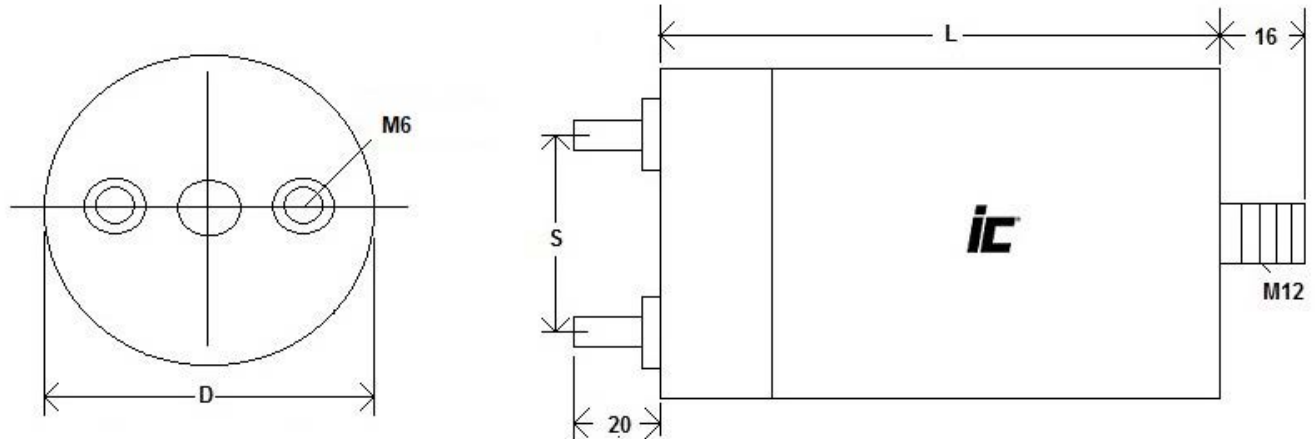
<b>Operating Temperature Range</b>	<b>-40°C to +85°C</b>						
<b>Storage Temperature Range</b>	<b>-40°C to +85°C</b>						
<b>Capacitance Tolerance</b>	<b>±10% at 1 kHz, 25°C</b>						
<b>Surge Voltage</b>	<b>WVDC</b>	450	700	900	1100	1500	2000
	<b>SVDC</b>	1.5*WVDC					
<b>Dissipation Factor Max at 100 Hz, 25°C</b>	.25%						
<b>Insulation Resistance @20°C (&lt;70% RH)for 1 minute at 100VDC applied</b>	10000 Megohmxmicrofarads(seconds)						
<b>Dielectric Strength</b>	<b>Terminal to Terminal</b>			<b>Terminal to Case</b>			
	150% of VDC applied for 60 Seconds and 25°C			3 KVAC (50/60 Hz) applied for 60 seconds at 25°C			
<b>Life expectancy</b>	Up to 100000 hours @70°C						
	Capacitance Change	≤15% of initially measured value					
<b>Long term Stability</b>	<1% after 2 years at standard environmental conditions						
<b>Reliability</b>	300 FIT						
<b>Construction</b>	Metallized polypropylene film and internal series connections						
<b>Casing</b>	Metal can with epoxy fill (UL94V-0)						
<b>MAXIMUM ALTITUDE</b>	3500 m						
<b>Lead terminations</b>	Lead free tinned Brass leads (RoHS compliant)						



### Terminal style 32



### Terminal Style 33



# MDCL

Metallized Polypropylene,  
round tube capacitor

Capacitance (µF)	WVDC	IC PART NUMBER	dv/dt (v/µ sec.)	Maximum RMS Ripple Current (A) 100 kHz, +70°C	Typical ESR (mΩ) 100 kHz, +25°C	Self Inductance (nH)	Dims DxL (mm)	Lead Spacing S+-2 (mm)	Thermal Resistance (°C/W)
80	2000	806MDCL202KFG#	20	55	2.8	38	76x130	32	8
100	2000	107MDCL202KFH#	15	30	3.6	54	76x145	32	8
105	2000	107MDCL202KHG#	18	60	2.8	38	86x130	32	8
120	2000	127MDCL202KFK#	15	55	2.4	20	76x180	32	8
125	1100	127MDCL112KFC#	15	35	4.5	22	76x80	32	8
130	2000	137MDCL202KKG#	18	65	2.2	38	96x130	45	8
160	2000	167MDCL202KHK#	15	65	3.5	20	86x180	32	8
170	2000	177MDCL202KHH#	12	45	3.3	54	96x145	45	8
180	1500	187MDCL152KHG#	15	55	2.5	38	86x130	32	8
200	450	207MDCL450KFC#	15	50	4	22	76x80	32	8
200	1500	207MDCL152KFK#	12	55	2.7	20	76x180	32	8
200	2000	207MDCL202KHN#	12	65	2.5		86x225	32	8
205	2000	207MDCL202KKK#	12	75	2.4	20	96x180	45	8
230	1500	237MDCL152KKG#	12	65	1.8	38	96x130	45	8
250	1100	257MDCL112KFG#	15	60	2.8	38	76x130	32	8
260	1500	267MDCL152KHK#	10	60	3.2	20	86x180	32	8
275	1100	277MDCL112KFF#	12	35	3.2	54	76x125	32	8
300	1100	307MDCL112KFH#	15	60	3.8	38	76x150	32	8
320	1100	327MDCL112KFH#	12	35	3.6	54	76x145	32	8
330	900	337MDCL900KFF#	15	35	3.2	54	76x125	32	8
330	1100	337MDCL112KHG#	15	65	2.8	38	86x130	32	8
330	1500	337MDCL152KKK#	8	70	1	20	96x180	45	8
350	1100	357MDCL112KHF#	12	40	3.1	54	86x125	32	8
350	1500	357MDCL152KPF#	8	50	0.75		116x125	50	8
380	2000	387MDCL202KPN#	10	80	1.3		116x230	50	8
400	450	407MDCL450KFG#	15	60	2.5	38	76x130	32	8
400	700	407MDCL700KFG#	12	50	2.8	38	76x130	32	8
400	2000	407MDCL202KTK#	7	100	1	20	136x180	50	8
420	700	427MDCL700KFF#	10	35	3.2	54	76x125	32	8
420	1100	427MDCL112KHG#	12	60	2	38	86x136	32	8
420	1100	427MDCL112KHH#	12	75	1.5	38	86x155	32	8
450	900	457MDCL900KHG#	12	55	2.7	38	86x130	32	8
460	1500	467MDCL152KPK#	7	75	0.8		116x180	50	8
500	1100	507MDCL112KKG#	15	70	1.6	38	96x130	45	8
500	1100	507MDCL112KHK#	10	70	3.2	20	86x180	32	8
510	700	517MDCL700KFH#	10	35	3.5	54	76x145	32	8
510	900	517MDCL900KHH#	10	55	2.5	38	86x155	32	8
520	450	527MDCL450KHG#	15	65	2.4	38	86x130	32	8
520	700	527MDCL700KHG#	12	65	2.7	38	86x130	32	8
550	1100	557MDCL112KHH#	10	50	3.2	54	96x145	45	8
550	2000	557MDCL202KTN#	7	100	0.95		136x230	50	8
600	450	607MDCL450KFK#	12	60	1.9	20	76x180	32	8
600	700	607MDCL700KFK#	10	60	2.2	20	76x180	32	8
600	1100	607MDCL112KHN#	10	65	2.5		86x225	32	8
650	700	657MDCL700KHH#	10	60	2.5	38	86x155	32	8
650	1100	657MDCL112KPG#	10	50	1.8	38	116x130	50	8
660	450	667MDCL450KKG#	15	70	1.7	38	96x130	45	8
660	700	667MDCL700KKG#	12	70	2.1	38	96x130	45	8
660	1500	667MDCL152KTK#	6	90	0.9		136x180	50	8
680	900	687MDCL900KHK#	8	70	3.2	20	86x180	32	8
750	900	757MDCL900KPG#	8	65	1.8	38	116x130	50	8
750	1100	757MDCL112KPH#	8	55	1.4	38	116x150	50	8
800	450	807MDCL450KHK#	10	70	2.9	20	86x180	32	8
800	700	807MDCL700KHK#	8	70	3.2	20	86x180	32	8
900	1500	907MDCL152KTN#	6	100	0.8	20	136x230	50	8
950	1100	957MDCL112KTF#	8	50	1.8	20	136x125	50	8
1000	450	108MDCL450KKK#	10	85	1.8	20	96x180	45	8
1000	700	108MDCL700KKK#	8	75	2.2	20	96x180	45	8

# MDCL

Metallized Polypropylene,  
round tube capacitor

Capacitance ( $\mu$ F)	WVDC	IC PART NUMBER	dv/dt (v/ $\mu$ sec.)	Maximum RMS Ripple Current (A) 100 kHz, +70°C	Typical ESR (m $\Omega$ ) 100 kHz, +25°C	Self Inductance (nH)	Dims DxL (mm)	Lead Spacing S $\pm$ 2 (mm)	Thermal Resistance (°C/W)
1000	700	<a href="#">108MDCL700KPG#</a>	8	50	1.8	38	116x130	50	8
1200	1100	<a href="#">128MDCL112KPN#</a>	8	80	1		116x230	50	8
1300	900	<a href="#">138MDCL900KPK#</a>	5	80	1	20	116x180	50	8
1300	1100	<a href="#">138MDCL112KTK#</a>	5	100	0.8	20	136x180	50	8
1450	700	<a href="#">148MDCL700KPK#</a>	5	80	1	20	116x180	50	8
1650	900	<a href="#">168MDCL900KTK#</a>	5	90	0.95	20	136x180	50	8
1700	1100	<a href="#">178MDCL112KTN#</a>	5	100	0.9		136x230	50	8
2000	450	<a href="#">208MDCL450KPN#</a>	7	100	0.9		116x230	50	8
2000	700	<a href="#">208MDCL700KTK#</a>	3	100	0.95	20	136x180	50	8
2250	900	<a href="#">228MDCL900KTN#</a>	5	100	0.8		136x230	50	8
2800	450	<a href="#">288MDCL450KTN#</a>	5	120	0.9		136x230	50	8
2800	700	<a href="#">288MDCL700KTN#</a>	3	100	0.8		136x230	50	8