

## Low-Dropout, 500mA Linear Regulator with Reset

### Features

- 500mA Output Current, with Foldback Current Limiting
- High Ripple Rejection
- $\pm 1.5\%$  Output Accuracy
- $\pm 2\%$  Reset Threshold Accuracy
- Externally Programmable Reset Time Delay Generator
- Internal 500mA P-Channel Pass Transistor
- 320 $\mu$ A quiescent Current
- Thermal Overload Protection
- SOT89-5 Package

### Applications

- CD ROM or DVD ROM
- Slim-Type CD/DVD
- DVD Player

### General Description

The G9612 are low-dropout, linear regulator with reset function supply 3.4V, 3.3V or 2.5V output for currents up to 500mA. They are available in a 1.0W SOT 89-5 package with 0.18 inch<sup>2</sup> copper heat sink. Typical dropouts are 560mV at 5V and 500mA. Other features include foldback current limiting and thermal overload protection.

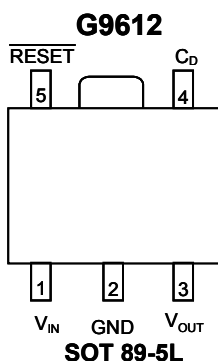
The reset function in G9612 detect  $V_{CC}$  level with hysteresis, keeping it asserted for time delay determined by external capacitor. The reset output is active low open-drain output. The detection threshold are 3.9V or 4.2V.

The output is preset at 3.4V for the G9612A, 3.3V for the G9612B/C, and 2.5V for G9612D. The reset threshold is preset at 4.2V for G9612 A/B/D and 3.9V for G9612C.

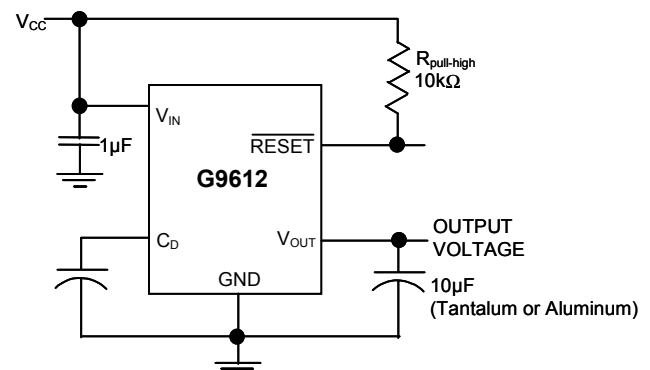
### Ordering Information

PART NUMBER	MARKING	REGULATOR OUTPUT VOLTAGE	RESET THRESHOLD VOLTAGE	TEMO. RANGE	PIN-PACKAGE
G9612ATEU	G9612A	3.4	4.2	-40°C to +85°C	SOT89-5L
G9612BTEU	G9612B	3.3	4.2	-40°C to +85°C	SOT89-5L
G9612CTEU	G9612C	3.3	3.9	-40°C to +85°C	SOT89-5L
G9612DTEU	G9612D	2.5	4.2	-40°C to +85°C	SOT89-5L

### Pin Configuration



### Typical Operation Circuit



**Absolute Maximum Ratings**

Supply Voltage (IN or OUT to GND).....+0.3V to +6.5V  
 Input Voltage.....+ 6.5V  
 Continuous Power Dissipation ( $T_A = +25^\circ\text{C}$ ).....0.7W  
 Minimum footprint ( $\theta_{JA}$ ).....178°C/W  
 With 400mil x 450mil heatsink copper.....1.0W  
 $\theta_{JA}$ .....125°C/W

Output Short-Circuit Duration.....1 min  
 Operating Temperature Range.....-40°C to +85°C  
 Junction Temperature.....+160°C  
 Storage Temperature Range.....-65°C to +160°C  
 Lead Temperature (soldering, 10sec).....+300°C

Stresses beyond those listed under "Absolute Maximum Ratings" may cause permanent damage to the device. These are stress ratings only, and functional operation of the device at these or any other conditions beyond those indicated in the operational sections of the specifications is not implied. Exposure to absolute maximum rating conditions for extended periods may affect device reliability

**Electrical Characteristics**

$V_{IN}=5\text{V}$ ,  $C_{IN}=1\mu\text{F}$ ,  $C_{OUT}=10\mu\text{F}$ ,  $T_J = T_A = 25^\circ\text{C}$  (Note3), unless otherwise noted. Typical values for regulators are at  $V_{IN} = 5\text{V}$ .

PARAMETER	SYMBOL	CONDITIONS	MIN	TYP	MAX	UNITS
Input Voltage	$V_{IN}$		2.5		6.0	V
Output Voltage (Note 1)	$V_{OUT}$	G9612A	3.35	3.4	3.45	V
		G9612B/C	3.25	3.3	3.35	
		G9612D	2.45	2.5	2.55	
Load Regulation	$\Delta V_{LDR}$	$I_{OUT}=1\text{mA to } 500\text{mA}$ , $V_{IN}=V_{OUT} + 1\text{V}$		8	17	mV
Line Regulation	$\Delta V_{LNR}$	$(V_{OUT}+0.5\text{V}) \leq V_{IN} \leq 6\text{V}$ , $I_{OUT} = 25\text{mA}$	-8	0.3	8	mV
Dropout Voltage (Note 2)	$\Delta V_{DO}$	$I_{OUT}=500\text{mA}$	G9612A/B/C	560	610	mV
			G9612D	650	700	
Parameter Tempco $V_{OUT}$				40		ppm/°C
Ripple Rejection	PSRR	$f=120\text{Hz}$ , $I_{OUT}=30\text{mA}$		70		dB
		$f=120\text{Hz}$ , $I_{OUT}=300\text{mA}$		65		
Output Noise	$e_n$	20Hz to 100kHz, $I_{OUT}=30\text{mA} \sim 500\text{mA}$ .		320		$\mu\text{V}_{RMS}$
Quiescent Current	$I_Q$			320	450	$\mu\text{A}$
Foldback Current Limit	$I_{LIM}$	$V_{OUT} < V_{FOLDBACK}$	260	400	580	mA
		$V_{OUT} > V_{FOLDBACK}$	650	900	1200	
Foldback Voltage	$V_{FOLDBACK}$		0.6	0.78	0.95	V
Thermal Shutdown Temperature	$T_{SD}$			160		°C
Thermal Shutdown Hysteresis	$\Delta T_{SD}$			30		°C
Reset Threshold	$V_{TH}$	G9612A/B/D	4.11	4.2	4.29	V
		G9612C	3.81	3.9	3.99	
Reset Threshold Hysteresis	$V_{HYS}$	G9612A/B/D		150		mV
		G9612C		130		
Reset Threshold Tempco				40		ppm/°C
$C_D$ Delay Pin Threshold Voltage	$V_{TCD}$	$V_{CC} = 5\text{V}$	3.5	3.9	4.3	V
$C_D$ Pin Sink Current	$I_{CD}$	$V_{CC}=1.5\text{V}$ , $V_{CD}=0.5\text{V}$	3	4.3		mA
$C_D$ Pin Pullup Resistance	$R_D$		100	200	400	k $\Omega$
RESET Output Current Low	$I_{OL}$	$V_{CC}=2.5\text{V}$ , $V_{RESET} = 0.4\text{V}$	8	11.5		mA
RESET Function Operating Voltage	$V_{OP}$	RESET sink current $> 10\mu\text{A}$		0.7	0.85	V

Note 1: ( $V_{IN}-V_{OUT}$ ) is limited to keep the product ( $I_{OUT} \times (V_{IN} - V_{OUT})$ ) from exceeding the package power dissipation limits.

Note 2: Dropout Voltage is ( $V_{IN} - V_{OUT}$ ) when  $V_{OUT}$  falls to 100mV below its nominal value at  $V_{IN} = V_{OUT}+1\text{V}$ . For example, the G9612 is tested by measuring the  $V_{OUT}$  at  $V_{IN} = V_{OUT}+1\text{V}$ , then  $V_{IN}$  is lowered until  $V_{OUT}$  falls 100mV below the measured value. The difference ( $V_{IN} - V_{OUT}$ ) is then measured and defined as  $\Delta V_{DO}$ .

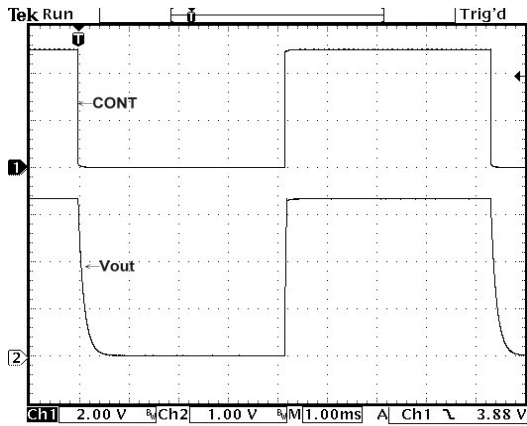
Note 3: Low duty pulse techniques are used during test to maintain junction temperature as close to ambient as possible.



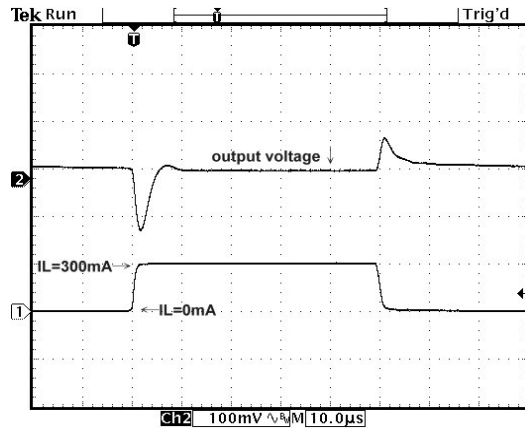
Typical Performance Characteristics

( $V_{IN}=5V, C_{IN}=C_{OUT}=10\mu F, CONT=V_{IN}, T_J=25^\circ C$ , unless otherwise noted)

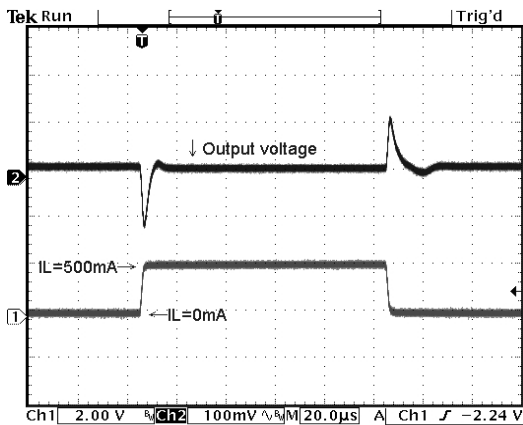
CONT Pin vs. Output



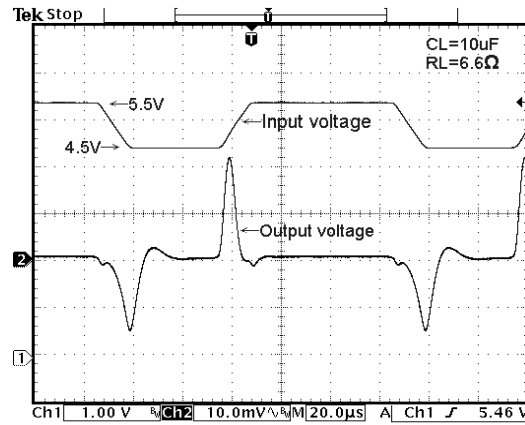
Load transient



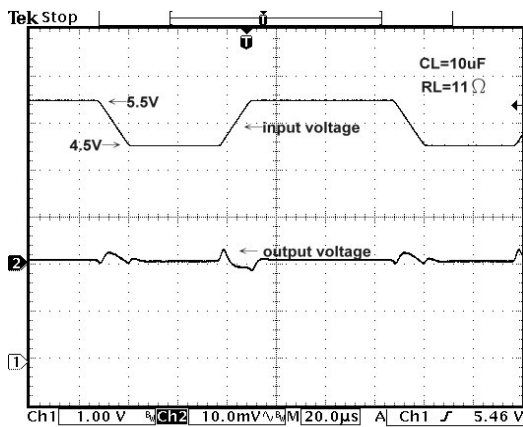
Load Transient



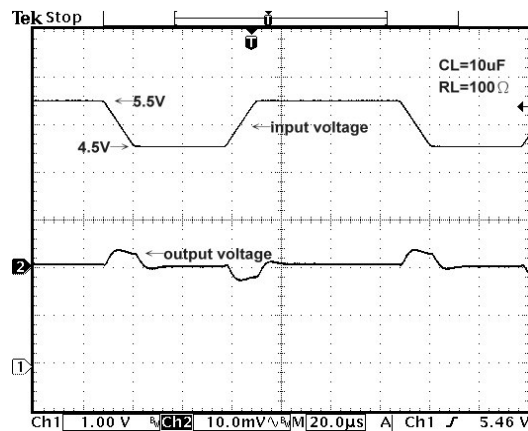
Line Transient



Line Transient



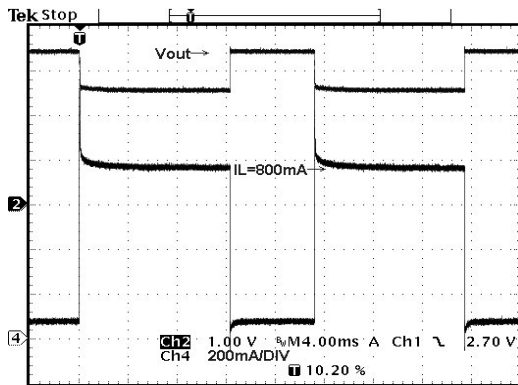
Line Transient



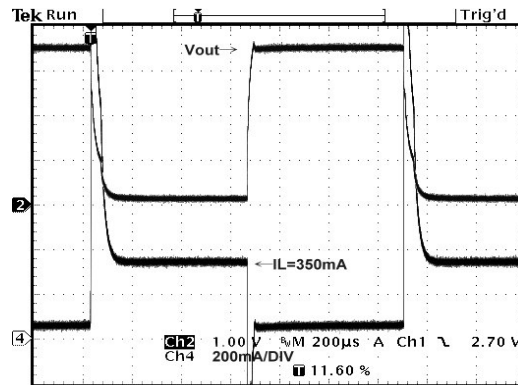


Typical Performance Characteristics (continued)

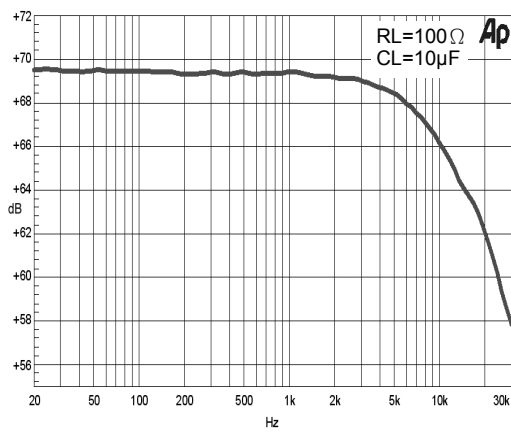
Over Current Response



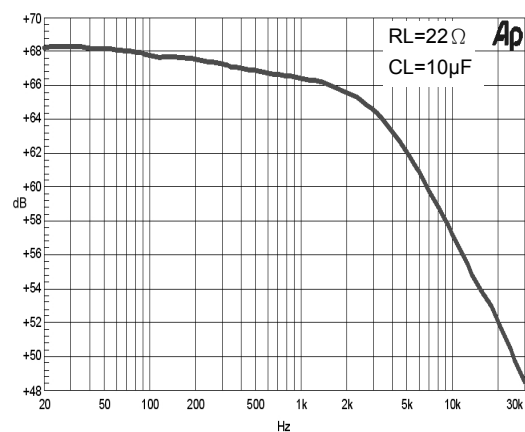
Short Circuit Response



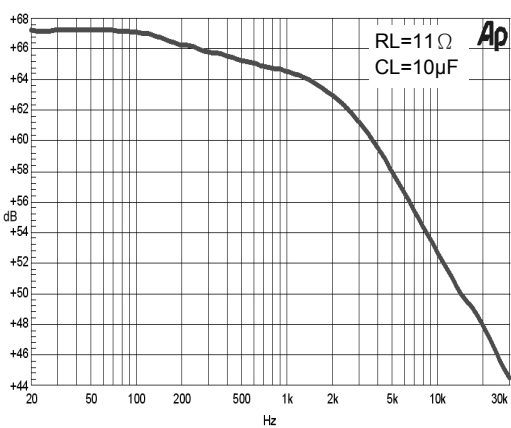
Power Supply Rejection Ratio



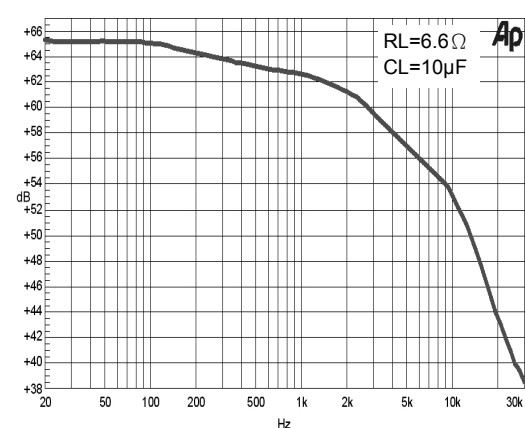
Power Supply Rejection Ratio



Power Supply Rejection Ratio



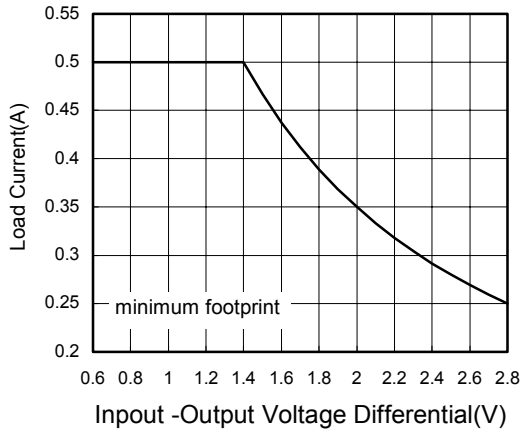
Power Supply Rejection Ratio



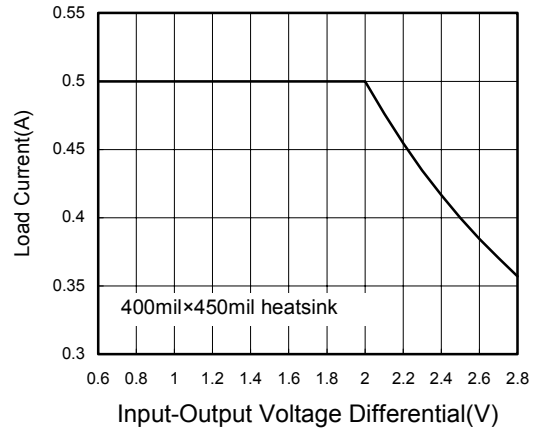


Typical Performance Characteristics (continued)

Safe Operating Area

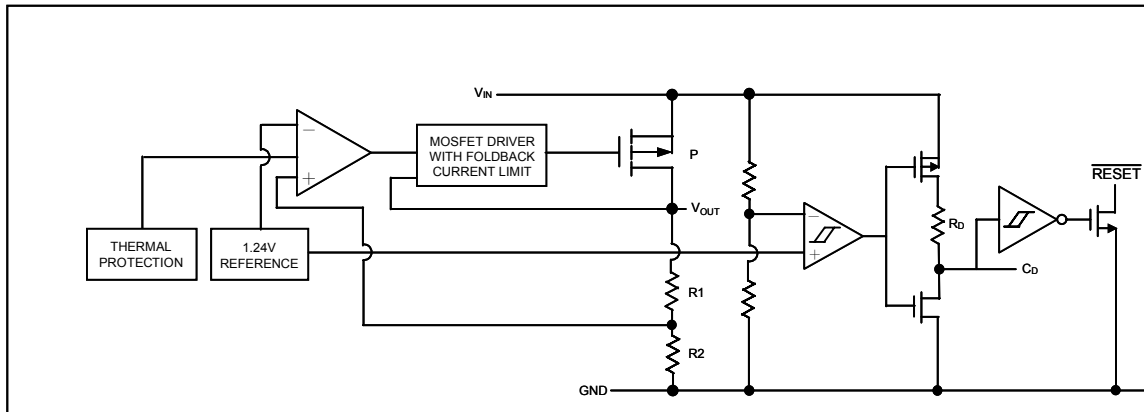


Safe Operating Area



## Pin Description

PIN NO.	PIN NAME	PIN FUNCTION
1	$V_{IN}$	Regulator Input. Supply voltage can range from 2.5V to 6V.
2	GND	Ground
3	$V_{OUT}$	Regulator Output. Sources up to 500mA.
4	$C_D$	External Programmable time delay is set by the capacitor connect to $C_D$ pin.
5	$\overline{RESET}$	$\overline{RESET}$ Open-Drain Output remains low while $V_{IN}$ is below the reset threshold, and for delay time set by $C_D$ after $V_{IN}$ rises above the reset threshold.



**Figure 1. Functional Diagram**

## Detailed Description

The G9612 are low-dropout, low-quiescent current linear regulators with reset function. The regulator in G9612 supply 3.4V, 3.3V or 2.5V output for load currents up to 500mA. The reset function detect  $V_{IN}$ . As illustrated in Figure 1, they consist of a 1.24V reference, error amplifier, MOSFET driver, P-channel pass transistor, and internal feedback voltage divider, reset threshold comparator and time delay generator.

The 1.24V bandgap reference is connected to the error amplifier's inverting input. The error amplifier compares this reference with the feedback voltage and amplifies the difference. The MOSFET driver reads the error signal and applies the appropriate drive to the P-channel pass transistor. If the feedback voltage is lower than the reference, the pass transistor gate is pulled lower, allowing more current to pass and increasing the output voltage. If the feedback voltage is too high, the pass transistor gate is pulled up, allowing less current to pass to the output.

Additional blocks of linear regulator include a foldback current limiter, reverse current protection, and thermal sensor.

The G9612 also offer reset function to detect the level of  $V_{IN}$ . They assert a reset signal whenever  $V_{IN}$  supply voltage declines below a preset threshold ( $V_{TH}$ ), keeping it asserted for time delay set by capacitor connected to  $C_D$  pin, after  $V_{IN}$  has risen above the high reset threshold ( $V_{TH} + V_{HYS}$ ). The  $\overline{RESET}$  is an active low, open-drain output.

### Internal P-Channel Pass Transistor

The G9612 feature a 500mA P-channel MOSFET pass transistor. This provides several advantages over similar designs using PNP pass transistors, including longer battery life. The P-channel MOSFET requires no base drive, which reduces quiescent current considerably. PNP based regulators waste considerable amounts of current in dropout when the pass transistor saturates. They also use high base-drive currents under large loads. The G9612 do not suffer from these problems and consume only 320 $\mu$ A of quiescent current.

## Foldback Current Limiting

The G9612 also include a foldback current limiter. It monitors and controls the pass transistor's gate voltage, estimating the output current and limiting it to 900mA for output voltages above 0.78V. If the output voltage drops below 0.78V, implying a short-circuit condition, the output current is limited to 400mA.

## Thermal Overload Protection

Thermal overload protection limits total power dissipation in the G9612. When the junction temperature exceeds  $T_J = +160^\circ\text{C}$ , the thermal sensor sends a signal to the shutdown logic, turning off the pass transistor and allowing the IC to cool. The thermal sensor will turn the pass transistor on again after the IC's junction temperature cools by  $30^\circ\text{C}$ , resulting in a pulsed output during thermal overload conditions.

Thermal overload protection is designed to protect the G9612 in the event of fault conditions. For continual operation, the absolute maximum junction temperature rating of  $T_J = +160^\circ\text{C}$  should not be exceeded.

## Operating Region and Power Dissipation

Maximum power dissipation of the G9612 depends on the thermal resistance of the case and circuit board, the temperature difference between the die junction and ambient air, and the rate of air flow. The power dissipation across the device is  $P = I_{\text{OUT}} (V_{\text{IN}} - V_{\text{OUT}})$ . The resulting maximum power dissipation is:

$$P_{\text{MAX}} = \left[ \frac{(T_J - T_A)}{(\theta_{\text{JC}} + \theta_{\text{CA}})} \right]$$

where  $(T_J - T_A)$  is the temperature difference between the G9612 die junction and the surrounding air,  $\theta_{\text{JC}}$  is the thermal resistance of the package chosen, and  $\theta_{\text{CA}}$  is the thermal resistance through the printed circuit board, copper traces and other materials to the surrounding air. The thermal resistance of SOT89-5 with  $0.18 \text{ inch}^2$  copper heat sink is  $\theta_{\text{JA}} = 125^\circ\text{C/W}$ .

The power dissipation of G9612 is:

$$P_D = (V_{\text{IN}} - V_{\text{OUT}}) \times I_{\text{OUT}}$$

The worst-case thermal resistance from junction to air ( $\theta_{\text{JA}}$ ) requirements are:

$$\theta_{\text{JA}} = \frac{(150^\circ\text{C} - T_A)}{P_D}$$

Use larger copper pad area to obtain specific heat sink thermal resistance values for larger output current, higher input-output difference, and higher ambient temperature.

## C<sub>D</sub> Capacitor Selection

The reset timeout delay is set by internally pull-up  $R_D$  (typical value  $200\text{k}\Omega$ ) and external  $C_D$ .

When the voltage at  $C_D$  pin exceeds the buffer threshold, typically  $0.85 V_{\text{CC}}$ , the  $\overline{\text{RESET}}$  output high. The voltage detector and buffer have built-in hysteresis to prevent erratic reset operation. For  $C_D = 0.1\mu\text{F}$ , typical reset time delay is 10ms.

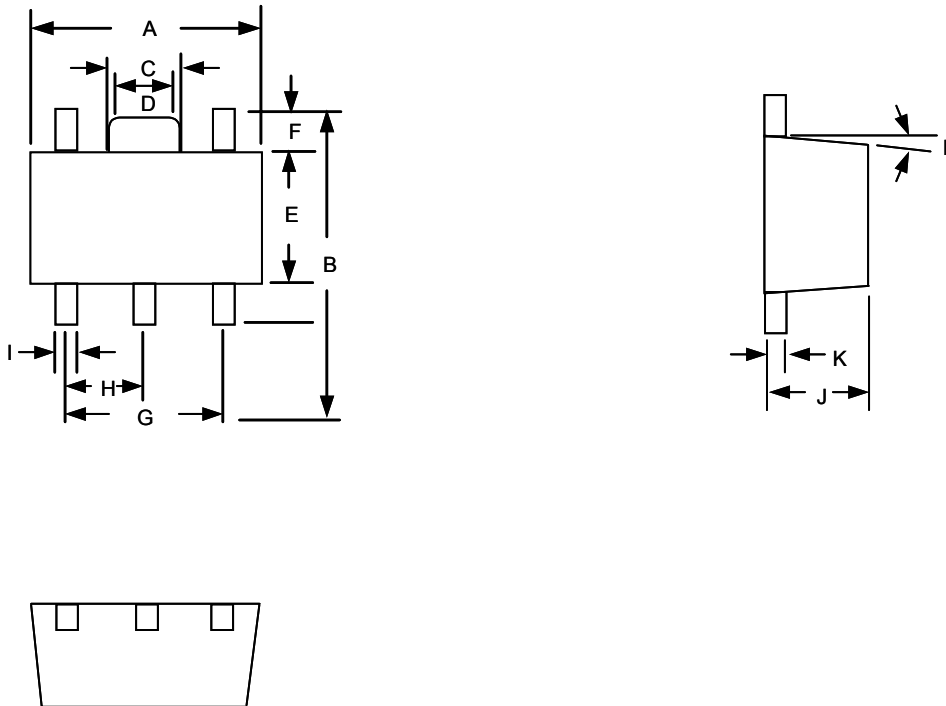
## Regulator Output Capacitor Selection and Regulator Stability

Normally, use capacitors  $0.1\mu\text{F}$  minimum on the input and  $10\mu\text{F}$  minimum on the output of the G9612. The larger input capacitor values provide better supply noise rejection and line-transient response. Improve load transient response, stability, and power-supply rejection by using large output capacitors. For stable operation over the full temperature range and with load current up to 500mA,  $10\mu\text{F}$  tantalum or  $47\mu\text{F}$  aluminum minimum is recommended. Too small capacitors with small ESR can result in oscillation.

## Transient Considerations

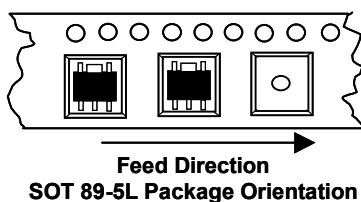
The Typical Operating Characteristics show the G9612 load-transient response. Two components of the output response can be observed on the load-transient graphs—a DC shift from the output impedance due to the different load currents, and the transient response. Typical transients for step changes in the load current from 5mA to 500mA are 0.1V. Increasing the output capacitor's value attenuates transient spikes.

## Package Information



SYMBOL	DIMENSION IN MM		DIMENSION IN INCH	
	MIN.	MAX.	MIN.	MAX.
A	4.40	4.60	0.173	0.181
B	4.05	4.25	0.159	0.167
C	1.50	1.70	0.059	0.067
D	1.30	1.50	0.051	0.059
E	2.40	2.60	0.094	0.102
F	0.80	-----	0.031	-----
G	3.00 REF		0.118 REF	
H	1.50 REF		0.059 REF	
I	0.40	0.52	0.016	0.020
J	1.40	1.60	0.055	0.063
K	0.35	0.41	0.014	0.016
L	5° TYP		5° TYP	

## Taping Specification



GMT Inc. does not assume any responsibility for use of any circuitry described, no circuit patent licenses are implied and GMT Inc. reserves the right at any time without notice to change said circuitry and specifications.