



# RAS407-2801001

RAS4xx

**RADAR SENSORS**

**SICK**  
Sensor Intelligence.



### Ordering information

Type	Part no.
RAS407-2801001	1072143

Other models and accessories → [www.sick.com/RAS4xx](http://www.sick.com/RAS4xx)



### Detailed technical data

#### Features

<b>Measurement principle</b>	FMCW HF
<b>Radio approval</b>	China, France <sup>1)</sup>
<b>Frequency band</b>	24.05 GHz + 200 MHz
<b>Aperture angle</b>	7° x 28° (cone)
<b>Operating range</b>	0.2 m ... 20 m

<sup>1)</sup> Fixed installation.

#### Performance

<b>Response time</b>	< 0.5 s
<b>Integrated application</b>	Collision avoidance
<b>Number of field sets</b>	3

#### Interfaces

<b>USB</b>	✓
Function	Parameterization
<b>Switching outputs</b>	3 (relays)

#### Mechanics/electronics

<b>Electrical connection</b>	1 x Cable open end
<b>Operating voltage</b>	10 V DC ... 30 V DC
<b>Power consumption</b>	8 W
<b>Housing color</b>	Gray
<b>Enclosure rating</b>	IP 65
<b>Protection class</b>	III
<b>Weight</b>	580 g
<b>Dimensions (L x W x H)</b>	101 mm x 151 mm x 60 mm

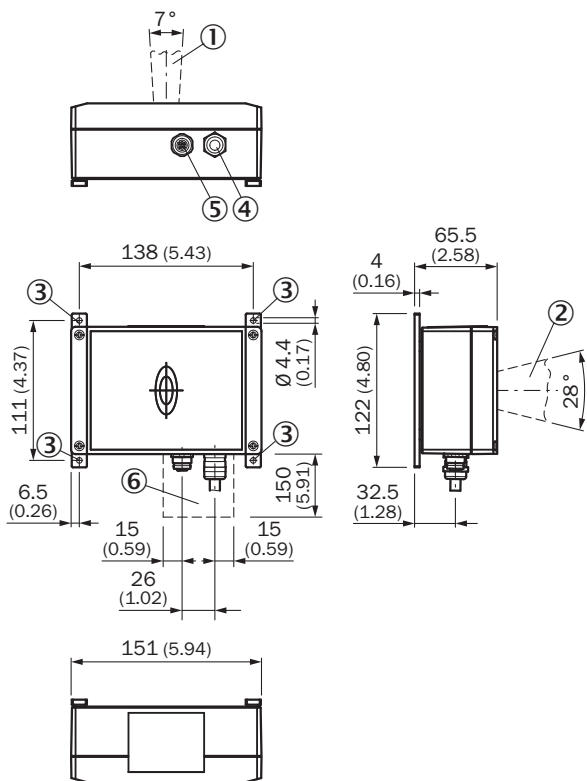
#### Ambient data

<b>Electromagnetic compatibility (EMC)</b>	ETSI EN 301 489-1 / ETSI EN 301 489-3
<b>Vibration resistance</b>	EN 60068-2-6 (1995)

<b>Shock resistance</b>	EN 60721-3-7 (1965), EN 60068-2-32 (1965)
<b>Ambient operating temperature</b>	-20 °C ... +60 °C
<b>Storage temperature</b>	-20 °C ... +60 °C

**Dimensional drawing** (Dimensions in mm (inch))

RAS407-28010xx



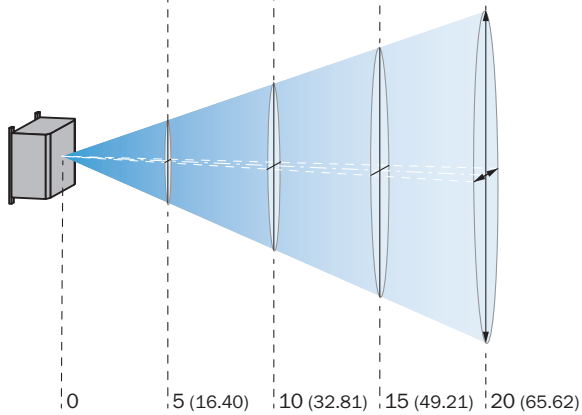
- ① Angle horizontal
- ② Angle vertical
- ③ Mounting holes, 4 x Ø 4.4 mm
- ④ Power supply
- ⑤ USB port
- ⑥ Recommended free space for connections

### Detection area

RAS407

Dimensions in m (feet)




vertical	28°	2.5 (8.20)	5.0 (16.40)	7.5 (24.61)	10.0 (32.81)
horizontal	7°	0.6 (1.97)	1.2 (3.94)	1.4 (4.59)	2.4 (7.87)



Working distance in m (feet)

### Recommended accessories

Other models and accessories → [www.sick.com/RAS4xx](http://www.sick.com/RAS4xx)

	Brief description	Type	Part no.
Device protection (mechanical)			
	Dust prevention shield, gray	Weather hood	2079576
Mounting brackets and mounting plates			
	Pivot mounting bracket, incl. assembly material	Mounting bracket	2061737
Plug connectors and cables			
	Head A: male connector, USB, 5-pin Head B: male connector, M12 Cable: USB 2.0, unshielded, 3 m	USB cable	2079580

## SICK AT A GLANCE

SICK is one of the leading manufacturers of intelligent sensors and sensor solutions for industrial applications. A unique range of products and services creates the perfect basis for controlling processes securely and efficiently, protecting individuals from accidents and preventing damage to the environment.

We have extensive experience in a wide range of industries and understand their processes and requirements. With intelligent sensors, we can deliver exactly what our customers need. In application centers in Europe, Asia and North America, system solutions are tested and optimized in accordance with customer specifications. All this makes us a reliable supplier and development partner.

Comprehensive services complete our offering: SICK LifeTime Services provide support throughout the machine life cycle and ensure safety and productivity.

For us, that is “Sensor Intelligence.”

## WORLDWIDE PRESENCE:

Contacts and other locations –[www.sick.com](http://www.sick.com)