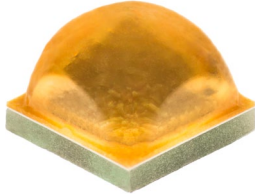


Cree® XLamp® XP-L2 LEDs



PRODUCT DESCRIPTION

The XLamp® XP-L2 LED is Cree's highest performing high-density discrete LED. Leveraging key elements of Cree's SC5 Technology™ Platform, the high-power XP-L2 LED improves the lumen density, voltage characteristics and reliability of the XP-L LED in the same 3.45 mm x 3.45 mm package. This best-in-class performance enables lighting manufacturers to deliver differentiated solutions at lower system costs for applications such as roadway, outdoor area, spot and high-bay lighting.

FEATURES

- Available in white, 70-CRI white, 80-CRI white and 90-CRI white
- ANSI-compatible chromaticity bins
- Binned at 85 °C
- Maximum drive current: 3000 mA
- Low thermal resistance: 2.2 °C/W
- Wide viewing angle: 125°
- Unlimited floor life at ≤ 30 °C/85% RH
- Reflow solderable - JEDEC J-STD-020C
- Electrically neutral thermal path
- UL® recognized component (E349212)



TABLE OF CONTENTS

Characteristics	2
Flux Characteristics - EasyWhite® Order Codes and Bins	3
Flux Characteristics - ANSI Order Codes and Bins	6
Relative Spectral Power Distribution	10
Relative Flux vs. Junction Temperature..	10
Electrical Characteristics.....	11
Relative Flux vs. Current	11
Relative Chromaticity vs. Current.....	12
Relative Chromaticity vs. Temperature...	12
Typical Spatial Distribution.....	13
Thermal Design	13
Performance Groups - Luminous Flux....	14
Performance Groups - Chromaticity	15
Cree's EasyWhite® Kits Plotted on ANSI Standard Chromaticity Regions	16
Cree's ANSI Kits Plotted on ANSI Standard Chromaticity Regions	17
Cree's Standard Chromaticity Kits	19
Bin and Order Code Formats.....	19
Reflow Soldering Characteristics.....	20
Notes	21
Mechanical Dimensions	22
Tape and Reel.....	23
Packaging.....	24

CHARACTERISTICS

Characteristics	Unit	Minimum	Typical	Maximum
Thermal resistance, junction to solder point	°C/W		2.2	
Viewing angle (FWHM)	degrees		125	
Temperature coefficient of voltage	mV/°C		-1.3	
ESD withstand voltage (HBM per Mil-Std-883D)	V			8000
DC forward current	mA			3000
Reverse voltage	V			5
Forward voltage (@ 1050 mA, 85 °C)	V		2.82	3.15
LED junction temperature	°C			150

FLUX CHARACTERISTICS - EASYWHITE® ORDER CODES AND BINS ($T_j = 85\text{ }^\circ\text{C}$)

The following table provides order codes for XLamp XP-L2 LEDs. For a complete description of the order code nomenclature, please see the Bin and Order Code Formats section (page 19). For definitions of the chromaticity kits, please see the Cree's Standard Chromaticity Kits section (page 19).

Nominal CCT	CRI		Minimum Luminous Flux @ 1050 mA			2-Step		3-Step		5-Step	
	Min	Typ	Flux Bin	Flux (lm) @ 85 °C	Flux (lm) @ 25 °C*	Group	Order Code	Group	Order Code	Group	Order Code
5000 K	70		V6	480	527					50E	XPLBWT-00-0000-000BV650E
			V5	460	505						XPLBWT-00-0000-000BV550E
			V4	440	483						XPLBWT-00-0000-000BV450E
	80		V4	440	483			50G			XPLBWT-00-0000-000HV450G
			V3	420	461						XPLBWT-00-0000-000HV350G
			V2	400	439						XPLBWT-00-0000-000HV250G
	90		U6	380	417			50G			XPLBWT-00-0000-000UU650G
			U5	360	395						XPLBWT-00-0000-000UU550G
	4500 K	70		V6	480	527					45E
V5				460	505	XPLBWT-00-0000-000BV545E					
V4				440	483	XPLBWT-00-0000-000BV445E					
80			V4	440	483			45G			XPLBWT-00-0000-000HV445G
			V3	420	461						XPLBWT-00-0000-000HV345G
			V2	400	439						XPLBWT-00-0000-000HV245G
90			U6	380	417			45G			XPLBWT-00-0000-000UU645G
			U5	360	395						XPLBWT-00-0000-000UU545G

Notes

- Cree maintains a tolerance of $\pm 7\%$ on flux and power measurements, ± 0.005 on chromaticity (CCx, CCy) measurements and a tolerance of ± 2 on CRI measurements. See the Measurements section (page 21).
- Cree XLamp XP-L2 LED order codes specify only a minimum flux bin and not a maximum. Cree may ship reels in flux bins higher than the minimum specified by the order code without advance notice. Shipments will always adhere to the chromaticity bin restrictions specified by the order code.
- * Flux values @ 25 °C are calculated and for reference only.

FLUX CHARACTERISTICS - EASYWHITE® ORDER CODES AND BINS (T_j = 85 °C) - CONTINUED

Nominal CCT	CRI		Minimum Luminous Flux @1050 mA			2-Step		3-Step		5-Step	
	Min	Typ	Flux Bin	Flux (lm) @ 85 °C	Flux (lm) @ 25 °C*	Group	Order Code	Group	Order Code	Group	Order Code
4000 K	70		V6	480	527					40E	XPLBWT-00-0000-000BV640E
			V5	460	505						XPLBWT-00-0000-000BV540E
			V4	440	483						XPLBWT-00-0000-000BV440E
	80		V4	440	483			40G	XPLBWT-00-0000-000HV440G		
			V3	420	461				XPLBWT-00-0000-000HV340G		
			V2	400	439				XPLBWT-00-0000-000HV240G		
	90		U6	380	417	40H		40G	XPLBWT-00-0000-000UU640G		
			U5	360	395				XPLBWT-00-0000-000UU540G		
	3500 K	70		V5	460	505					35E
V4				440	483	XPLBWT-00-0000-000BV435E					
V3				420	461	XPLBWT-00-0000-000BV335E					
80			V3	420	461			35G	XPLBWT-00-0000-000HV335G		
			V2	400	439				XPLBWT-00-0000-000HV235G		
			U6	380	417				XPLBWT-00-0000-000HU635G		
90			U5	360	395	35H		35G	XPLBWT-00-0000-000UU535G		
			U4	340	373				XPLBWT-00-0000-000UU435G		
			U3	320	351				XPLBWT-00-0000-000UU335G		

Notes

- Cree maintains a tolerance of ±7% on flux and power measurements, ±0.005 on chromaticity (CCx, CCy) measurements and a tolerance of ±2 on CRI measurements. See the Measurements section (page 21).
- Cree XLamp XP-L2 LED order codes specify only a minimum flux bin and not a maximum. Cree may ship reels in flux bins higher than the minimum specified by the order code without advance notice. Shipments will always adhere to the chromaticity bin restrictions specified by the order code.
- * Flux values @ 25 °C are calculated and for reference only.

FLUX CHARACTERISTICS - EASYWHITE® ORDER CODES AND BINS (T_j = 85 °C) - CONTINUED

Nominal CCT	CRI		Minimum Luminous Flux @1050 mA			2-Step		3-Step		5-Step		
	Min	Typ	Flux Bin	Flux (lm) @ 85 °C	Flux (lm) @ 25 °C*	Group	Order Code	Group	Order Code	Group	Order Code	
3000 K	70		V4	440	483					30E	XPLBWT-00-0000-000BV430E	
			V3	420	461						XPLBWT-00-0000-000BV330E	
	80		V2	400	439			30G	XPLBWT-00-0000-000HV230G			
			U6	380	417				XPLBWT-00-0000-000HU630G			
	90		U4	340	373	30H		30G	XPLBWT-00-0000-000UU430H			XPLBWT-00-0000-000UU430G
			U3	320	351				XPLBWT-00-0000-000UU330H			XPLBWT-00-0000-000UU330G
U2			300	329	XPLBWT-00-0000-000UU230H				XPLBWT-00-0000-000UU230G			
2700 K	80		V2	400	439			27G	XPLBWT-00-0000-000HV227G			
			U6	380	417				XPLBWT-00-0000-000HU627G			
			U5	360	395				XPLBWT-00-0000-000HU527G			
	90		U3	320	351	27H		27G	XPLBWT-00-0000-000UU327H			XPLBWT-00-0000-000UU327G
			U2	300	329				XPLBWT-00-0000-000UU227H			XPLBWT-00-0000-000UU227G
			T6	280	307				XPLBWT-00-0000-000UT627H			XPLBWT-00-0000-000UT627G

Notes

- Cree maintains a tolerance of ±7% on flux and power measurements, ±0.005 on chromaticity (CCx, CCy) measurements and a tolerance of ±2 on CRI measurements. See the Measurements section (page 21).
- Cree XLamp XP-L2 LED order codes specify only a minimum flux bin and not a maximum. Cree may ship reels in flux bins higher than the minimum specified by the order code without advance notice. Shipments will always adhere to the chromaticity bin restrictions specified by the order code.
- * Flux values @ 25 °C are calculated and for reference only.

FLUX CHARACTERISTICS - ANSI ORDER CODES AND BINS ($T_j = 85\text{ }^\circ\text{C}$)

The following table provides order codes for XLamp XP-L2 LEDs. For a complete description of the order code nomenclature, please see the Bin and Order Code Formats section (page 19). For definitions of the chromaticity kits, please see the Cree's Standard Chromaticity Kits section (page 19).

Chromaticity		Minimum Luminous Flux (lm) @ 1050 mA			Order Codes			
Kit	CCT	Flux Bin	Flux (lm) @ 85 °C	Flux (lm) @ 25 °C*	No Minimum CRI	70 CRI Minimum	80 CRI Minimum	90 CRI Minimum
CB	6500 K	V6	480	527	XPLBWT-00-0000-0000V60CB	XPLBWT-00-0000-000BV60CB		
		V5	460	505	XPLBWT-00-0000-0000V50CB	XPLBWT-00-0000-000BV50CB		
		V4	440	483	XPLBWT-00-0000-0000V40CB	XPLBWT-00-0000-000BV40CB		
		V3	420	461			XPLBWT-00-0000-000HV30CB	
		V2	400	439			XPLBWT-00-0000-000HV20CB	
		U6	380	417				XPLBWT-00-0000-000UU60CB
		U5	360	395				XPLBWT-00-0000-000UU50CB
E1	6500 K	V6	480	527	XPLBWT-00-0000-0000V60E1	XPLBWT-00-0000-000BV60E1		
		V5	460	505	XPLBWT-00-0000-0000V50E1	XPLBWT-00-0000-000BV50E1		
		V4	440	483	XPLBWT-00-0000-0000V40E1	XPLBWT-00-0000-000BV40E1		
		V3	420	461			XPLBWT-00-0000-000HV30E1	
		V2	400	439			XPLBWT-00-0000-000HV20E1	
		U6	380	417				XPLBWT-00-0000-000UU60E1
		U5	360	395				XPLBWT-00-0000-000UU50E1

Notes

- Cree maintains a tolerance of $\pm 7\%$ on flux and power measurements, ± 0.005 on chromaticity (CCx, CCy) measurements and a tolerance of ± 2 on CRI measurements. See the Measurements section (page 21).
- Cree XLamp XP-L2 LED order codes specify only a minimum flux bin and not a maximum. Cree may ship reels in flux bins higher than the minimum specified by the order code without advance notice. Shipments will always adhere to the chromaticity bin restrictions specified by the order code.
- * Flux values @ 25 °C are calculated and for reference only.

FLUX CHARACTERISTICS - ANSI ORDER CODES AND BINS ($T_j = 85\text{ }^\circ\text{C}$) - CONTINUED

Chromaticity		Minimum Luminous Flux (lm) @ 1050 mA			Order Codes			
Kit	CCT	Flux Bin	Flux (lm) @ 85 °C	Flux (lm) @ 25 °C*	No Minimum CRI	70 CRI Minimum	80 CRI Minimum	90 CRI Minimum
DT	5700 K	V6	480	527	XPLBWT-00-0000-0000V60DT	XPLBWT-00-0000-000BV60DT		
		V5	460	505	XPLBWT-00-0000-0000V50DT	XPLBWT-00-0000-000BV50DT		
		V4	440	483	XPLBWT-00-0000-0000V40DT	XPLBWT-00-0000-000BV40DT		
		V3	420	461			XPLBWT-00-0000-000HV30DT	
		V2	400	439			XPLBWT-00-0000-000HV20DT	
		U6	380	417				XPLBWT-00-0000-000UU60DT
		U5	360	395				XPLBWT-00-0000-000UU50DT
DV	5700 K	V6	480	527	XPLBWT-00-0000-0000V60DV	XPLBWT-00-0000-000BV60DV		
		V5	460	505	XPLBWT-00-0000-0000V50DV	XPLBWT-00-0000-000BV50DV		
		V4	440	483	XPLBWT-00-0000-0000V40DV	XPLBWT-00-0000-000BV40DV	XPLBWT-00-0000-000HV40DV	
		V3	420	461			XPLBWT-00-0000-000HV30DV	
		V2	400	439			XPLBWT-00-0000-000HV20DV	
		U6	380	417				XPLBWT-00-0000-000UU60DV
		U5	360	395				XPLBWT-00-0000-000UU50DV
E2	5700 K	V6	480	527	XPLBWT-00-0000-0000V60E2	XPLBWT-00-0000-000BV60E2		
		V5	460	505	XPLBWT-00-0000-0000V50E2	XPLBWT-00-0000-000BV50E2		
		V4	440	483	XPLBWT-00-0000-0000V40E2	XPLBWT-00-0000-000BV40E2	XPLBWT-00-0000-000HV40E2	
		V3	420	461			XPLBWT-00-0000-000HV30E2	
		V2	400	439			XPLBWT-00-0000-000HV20E2	
		U6	380	417				XPLBWT-00-0000-000UU60E2
		U5	360	395				XPLBWT-00-0000-000UU50E2

Notes

- Cree maintains a tolerance of $\pm 7\%$ on flux and power measurements, ± 0.005 on chromaticity (CCx, CCy) measurements and a tolerance of ± 2 on CRI measurements. See the Measurements section (page 21).
- Cree XLamp XP-L2 LED order codes specify only a minimum flux bin and not a maximum. Cree may ship reels in flux bins higher than the minimum specified by the order code without advance notice. Shipments will always adhere to the chromaticity bin restrictions specified by the order code.
- * Flux values @ 25 °C are calculated and for reference only.

FLUX CHARACTERISTICS - ANSI ORDER CODES AND BINS ($T_j = 85\text{ }^\circ\text{C}$) - CONTINUED

Chromaticity		Minimum Luminous Flux (lm) @ 1050 mA			Order Codes		
Kit	CCT	Flux Bin	Flux (lm) @ 85 °C	Flux (lm) @ 25 °C*	70 CRI Minimum	80 CRI Minimum	90 CRI Minimum
E3	5000 K	V6	480	527	XPLBWT-00-0000-000BV60E3		
		V5	460	505	XPLBWT-00-0000-000BV50E3		
		V4	440	483	XPLBWT-00-0000-000BV40E3	XPLBWT-00-0000-000HV40E3	
		V3	420	461		XPLBWT-00-0000-000HV30E3	
		V2	400	439		XPLBWT-00-0000-000HV20E3	
		U6	380	417			XPLBWT-00-0000-000UU60E3
		U5	360	395			XPLBWT-00-0000-000UU50E3
E4	4500 K	V6	480	527	XPLBWT-00-0000-000BV60E4		
		V5	460	505	XPLBWT-00-0000-000BV50E4		
		V4	440	483	XPLBWT-00-0000-000BV40E4	XPLBWT-00-0000-000HV40E4	
		V3	420	461		XPLBWT-00-0000-000HV30E4	
		V2	400	439		XPLBWT-00-0000-000HV20E4	
		U6	380	417			XPLBWT-00-0000-000UU60E4
		U5	360	395			XPLBWT-00-0000-000UU50E4
E5	4000 K	V6	480	527	XPLBWT-00-0000-000BV60E5		
		V5	460	505	XPLBWT-00-0000-000BV50E5		
		V4	440	483	XPLBWT-00-0000-000BV40E5	XPLBWT-00-0000-000HV40E5	
		V3	420	461		XPLBWT-00-0000-000HV30E5	
		V2	400	439		XPLBWT-00-0000-000HV20E5	
		U6	380	417			XPLBWT-00-0000-000UU60E5
		U5	360	395			XPLBWT-00-0000-000UU50E5
E6	3500 K	V5	460	505	XPLBWT-00-0000-000BV50E6		
		V4	440	483	XPLBWT-00-0000-000BV40E6		
		V3	420	461	XPLBWT-00-0000-000BV30E6	XPLBWT-00-0000-000HV30E6	
		V2	400	439		XPLBWT-00-0000-000HV20E6	
		U6	380	417		XPLBWT-00-0000-000HU60E6	
		U5	360	395			XPLBWT-00-0000-000UU50E6
		U4	340	373			XPLBWT-00-0000-000UU40E6
		U3	320	351			XPLBWT-00-0000-000UU30E6

Notes

- Cree maintains a tolerance of $\pm 7\%$ on flux and power measurements, ± 0.005 on chromaticity (CCx, CCy) measurements and a tolerance of ± 2 on CRI measurements. See the Measurements section (page 21).
- Cree XLamp XP-L2 LED order codes specify only a minimum flux bin and not a maximum. Cree may ship reels in flux bins higher than the minimum specified by the order code without advance notice. Shipments will always adhere to the chromaticity bin restrictions specified by the order code.
- * Flux values @ 25 °C are calculated and for reference only.

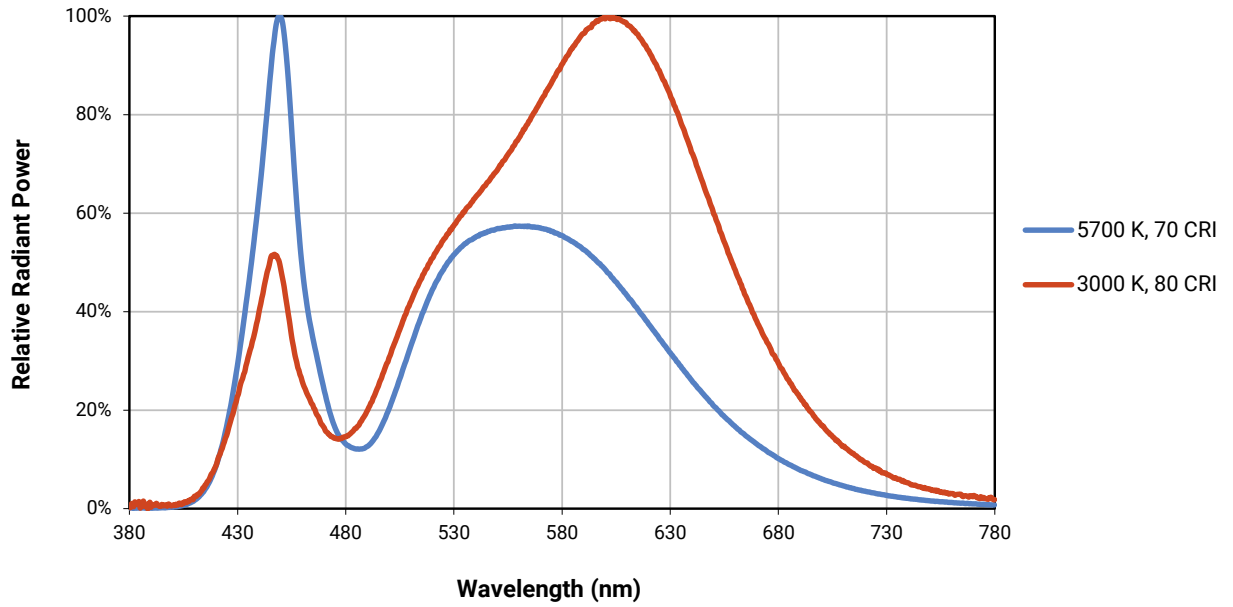
FLUX CHARACTERISTICS - ANSI ORDER CODES AND BINS ($T_j = 85\text{ }^\circ\text{C}$) - CONTINUED

Chromaticity		Minimum Luminous Flux (lm) @ 1050 mA			Order Codes		
Kit	CCT	Flux Bin	Flux (lm) @ 85 °C	Flux (lm) @ 25 °C*	70 CRI Minimum	80 CRI Minimum	90 CRI Minimum
E7	3000 K	V4	440	483	XPLBWT-00-0000-000BV40E7		
		V3	420	461	XPLBWT-00-0000-000BV30E7		
		V2	400	439		XPLBWT-00-0000-000HV20E7	
		U6	380	417		XPLBWT-00-0000-000HU60E7	
		U5	360	395			
		U4	340	373			XPLBWT-00-0000-000UU40E7
		U3	320	351			XPLBWT-00-0000-000UU30E7
		U2	300	329			XPLBWT-00-0000-000UU20E7
E8	2700 K	V2	400	439		XPLBWT-00-0000-000HV20E8	
		U6	380	417		XPLBWT-00-0000-000HU60E8	
		U5	360	395		XPLBWT-00-0000-000HU50E8	
		U4	340	373			
		U3	320	351			XPLBWT-00-0000-000UU30E8
		U2	300	329			XPLBWT-00-0000-000UU20E8
		T6	280	307			XPLBWT-00-0000-000UT60E8

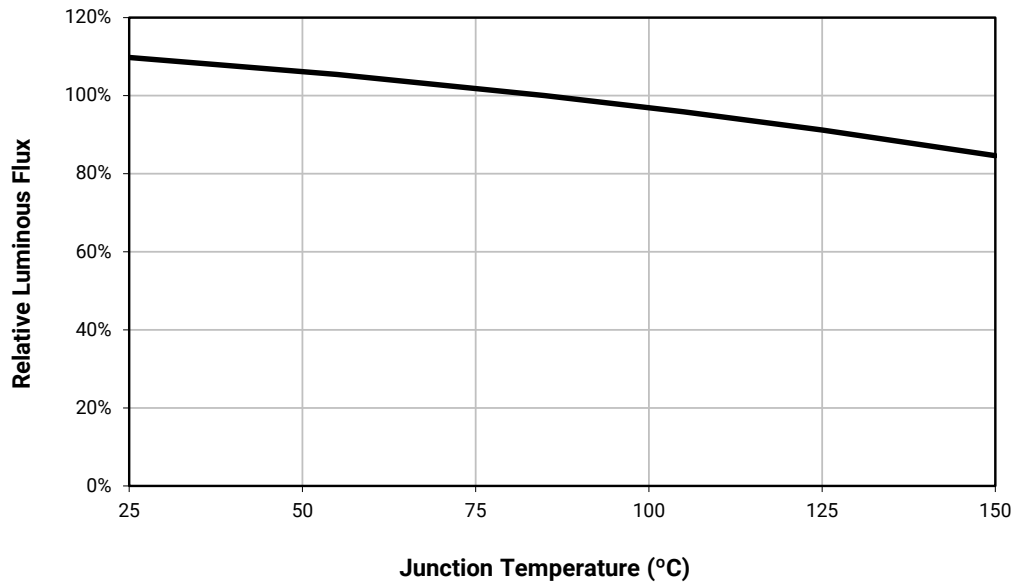
Notes

- Cree maintains a tolerance of $\pm 7\%$ on flux and power measurements, ± 0.005 on chromaticity (CCx, CCy) measurements and a tolerance of ± 2 on CRI measurements. See the Measurements section (page 21).
- Cree XLamp XP-L2 LED order codes specify only a minimum flux bin and not a maximum. Cree may ship reels in flux bins higher than the minimum specified by the order code without advance notice. Shipments will always adhere to the chromaticity bin restrictions specified by the order code.
- * Flux values @ 25 °C are calculated and for reference only.

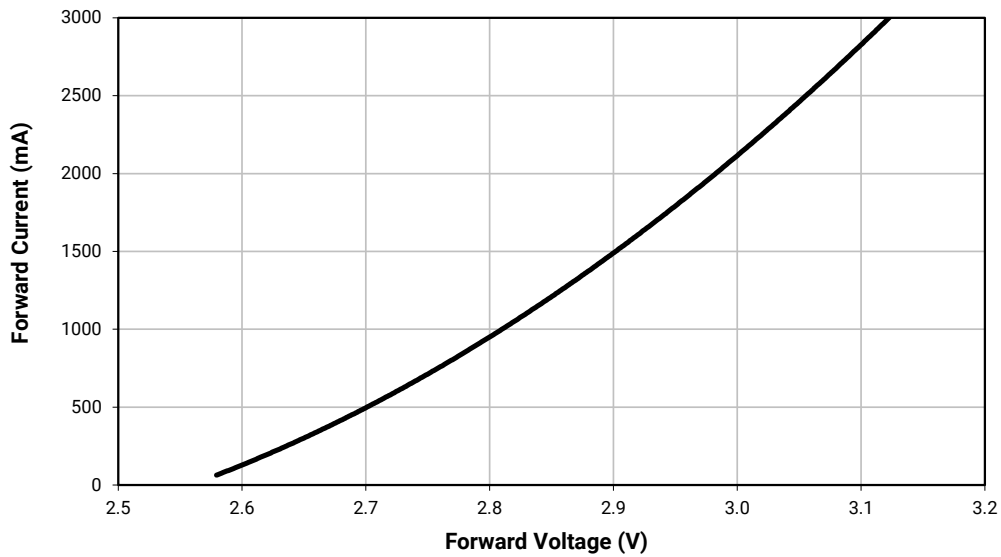
RELATIVE SPECTRAL POWER DISTRIBUTION



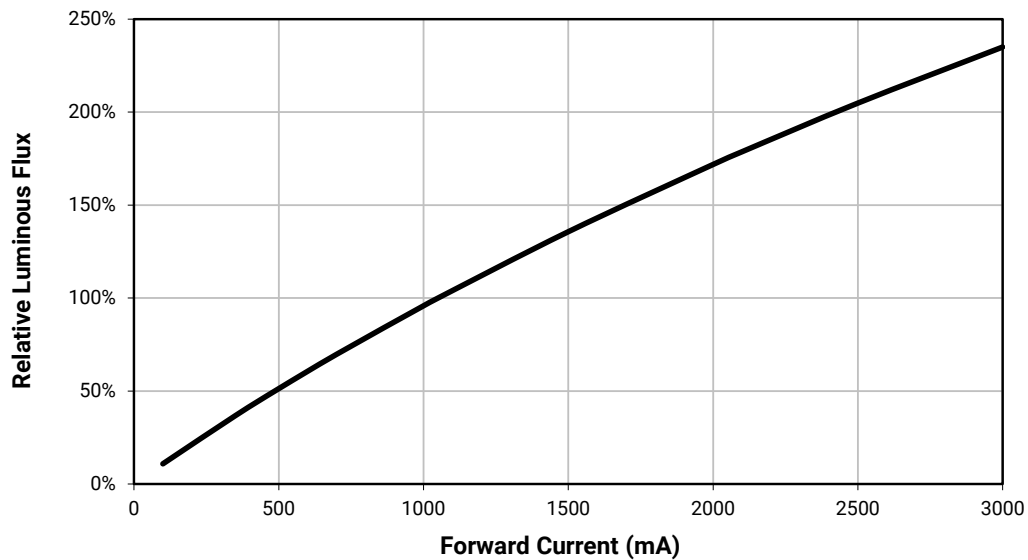
RELATIVE FLUX VS. JUNCTION TEMPERATURE ($I_F = 1050 \text{ mA}$)



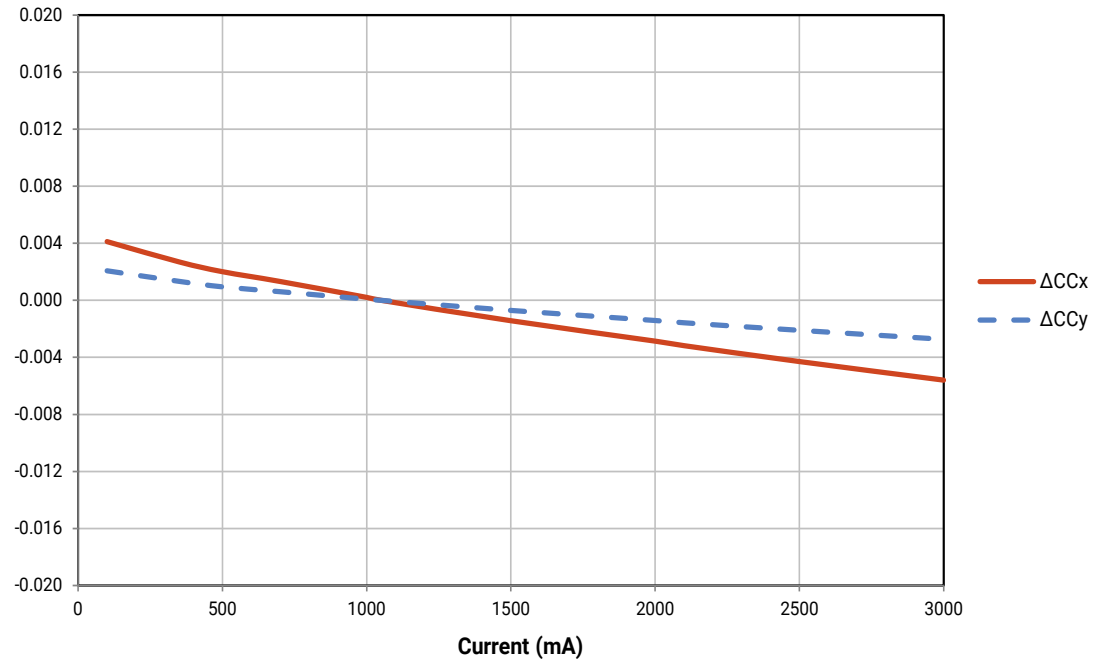
ELECTRICAL CHARACTERISTICS ($T_j = 85\text{ }^\circ\text{C}$)



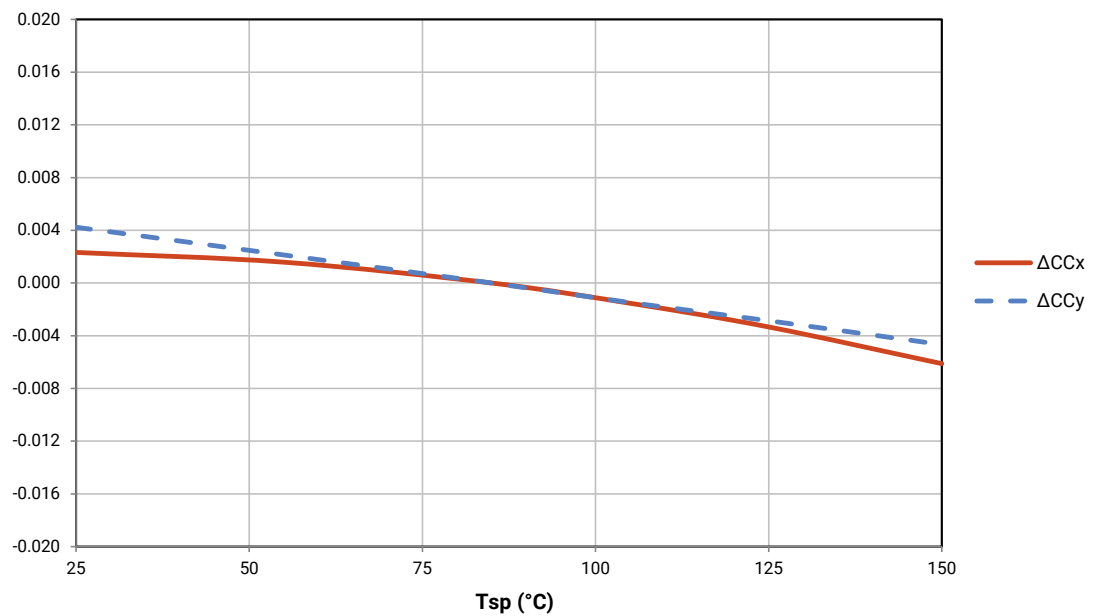
RELATIVE FLUX VS. CURRENT ($T_j = 85\text{ }^\circ\text{C}$)



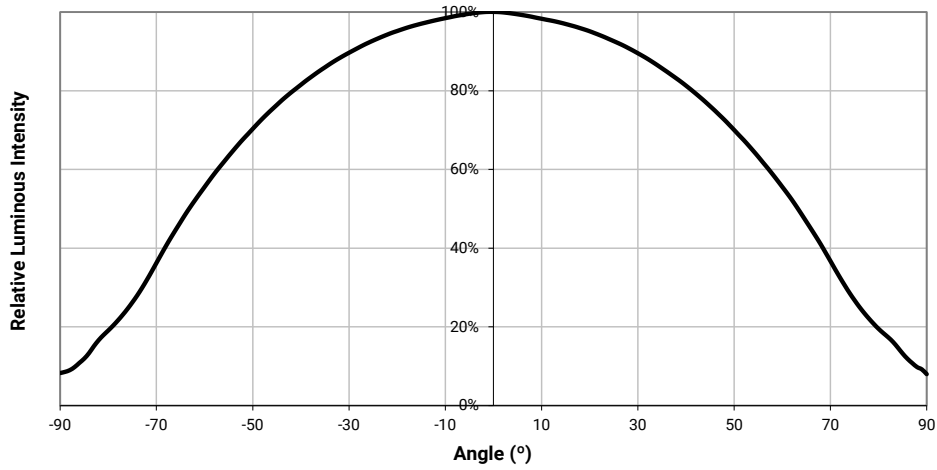
RELATIVE CHROMATICITY VS. CURRENT (WARM WHITE)



RELATIVE CHROMATICITY VS. TEMPERATURE (WARM WHITE)

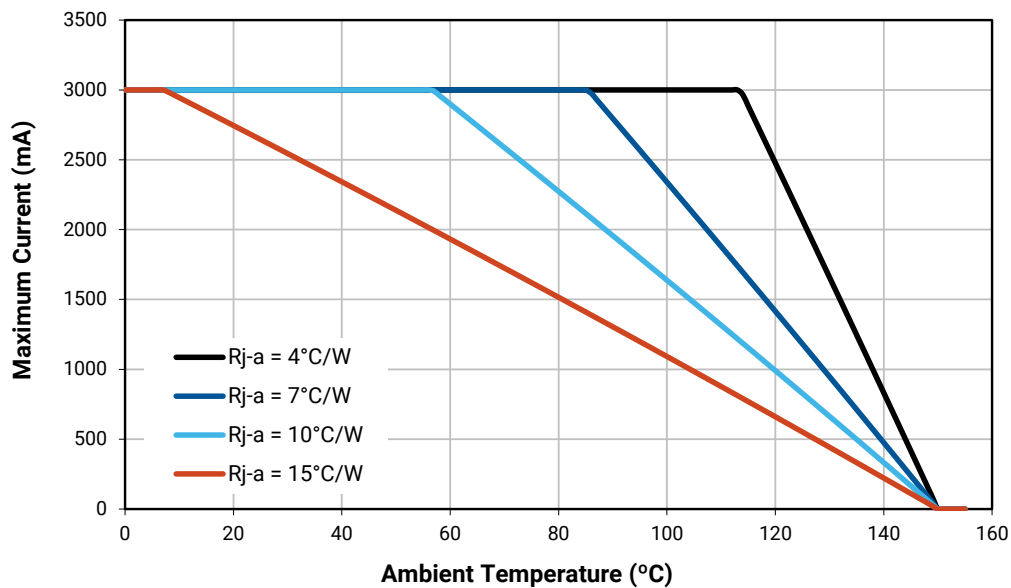


TYPICAL SPATIAL DISTRIBUTION



THERMAL DESIGN

The maximum forward current is determined by the thermal resistance between the LED junction and ambient. It is crucial for the end product to be designed in a manner that minimizes the thermal resistance from the solder point to ambient in order to optimize lamp life and optical characteristics.



PERFORMANCE GROUPS - LUMINOUS FLUX

XLamp XP-L2 LEDs are tested for luminous flux and placed into one of the following luminous-flux bins: The flux bins, with a 0 appended, are used in the Bin Code “Luminous flux group.”

Luminous Flux Bin	Minimum Luminous Flux (lm) @ 1050 mA	Maximum Luminous Flux (lm) @ 1050 mA
T6	280	300
U2	300	320
U3	320	340
U4	340	360
U5	360	380
U6	380	400
V2	400	420
V3	420	440
V4	440	460
V5	460	480
V6	480	500
W2	500	520

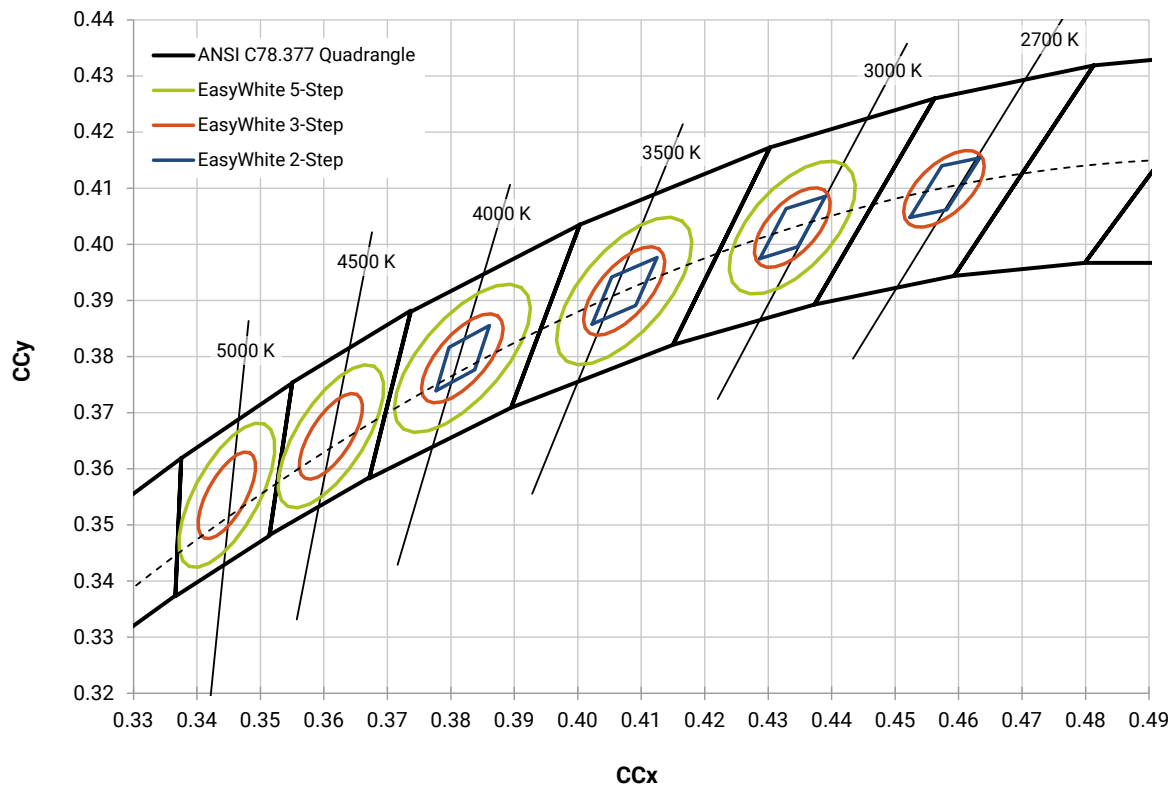
PERFORMANCE GROUPS - CHROMATICITY

Region	x	y	Region	x	y	Region	x	y	Region	x	y
0A	0.2950	0.2970	0B	0.2920	0.3060	0C	0.2984	0.3133	0D	0.2984	0.3133
	0.2920	0.3060		0.2895	0.3135		0.2962	0.3220		0.3048	0.3207
	0.2984	0.3133		0.2962	0.3220		0.3028	0.3304		0.3068	0.3113
	0.3009	0.3042		0.2984	0.3133		0.3048	0.3207		0.3009	0.3042
0R	0.2980	0.2880	0S	0.2895	0.3135	0T	0.2962	0.3220	0U	0.3037	0.2937
	0.2950	0.2970		0.2870	0.3210		0.2937	0.3312		0.3009	0.3042
	0.3009	0.3042		0.2937	0.3312		0.3005	0.3415		0.3068	0.3113
	0.3037	0.2937		0.2962	0.3220		0.3028	0.3304		0.3093	0.2993
1A	0.3048	0.3207	1B	0.3028	0.3304	1C	0.3115	0.3391	1D	0.3130	0.3290
	0.3130	0.3290		0.3115	0.3391		0.3205	0.3481		0.3213	0.3373
	0.3144	0.3186		0.3130	0.3290		0.3213	0.3373		0.3221	0.3261
	0.3068	0.3113		0.3048	0.3207		0.3130	0.3290		0.3144	0.3186
1R	0.3068	0.3113	1S	0.3005	0.3415	1T	0.3099	0.3509	1U	0.3144	0.3186
	0.3144	0.3186		0.3099	0.3509		0.3196	0.3602		0.3221	0.3261
	0.3161	0.3059		0.3115	0.3391		0.3205	0.3481		0.3231	0.3120
	0.3093	0.2993		0.3028	0.3304		0.3115	0.3391		0.3161	0.3059
2A	0.3215	0.3350	2B	0.3207	0.3462	2C	0.3290	0.3538	2D	0.3290	0.3417
	0.3290	0.3417		0.3290	0.3538		0.3376	0.3616		0.3371	0.3490
	0.3290	0.3300		0.3290	0.3417		0.3371	0.3490		0.3366	0.3369
	0.3222	0.3243		0.3215	0.3350		0.3290	0.3417		0.3290	0.3300
2R	0.3222	0.3243	2S	0.3196	0.3602	2T	0.3290	0.3690	2U	0.3290	0.3300
	0.3290	0.3300		0.3290	0.3690		0.3381	0.3762		0.3366	0.3369
	0.3290	0.3180		0.3290	0.3538		0.3376	0.3616		0.3361	0.3245
	0.3231	0.3120		0.3207	0.3462		0.3290	0.3538		0.3290	0.3180
3A	0.3371	0.3490	3B	0.3376	0.3616	3C	0.3463	0.3687	3D	0.3451	0.3554
	0.3451	0.3554		0.3463	0.3687		0.3551	0.3760		0.3533	0.3620
	0.3440	0.3427		0.3451	0.3554		0.3533	0.3620		0.3515	0.3487
	0.3366	0.3369		0.3371	0.3490		0.3451	0.3554		0.3440	0.3427
4A	0.3530	0.3597	4B	0.3548	0.3736	4C	0.3641	0.3804	4D	0.3615	0.3659
	0.3615	0.3659		0.3641	0.3804		0.3736	0.3874		0.3702	0.3722
	0.3590	0.3521		0.3615	0.3659		0.3702	0.3722		0.3670	0.3578
	0.3512	0.3465		0.3530	0.3597		0.3615	0.3659		0.3590	0.3521
5A	0.3702	0.3722	5B	0.3736	0.3874	5C	0.3870	0.3958	5D	0.3825	0.3798
	0.3825	0.3798		0.387	0.3958		0.4006	0.4044		0.3951	0.3876
	0.3783	0.3646		0.3825	0.3798		0.3951	0.3876		0.3898	0.3716
	0.367	0.3578		0.3702	0.3722		0.3825	0.3798		0.3783	0.3646

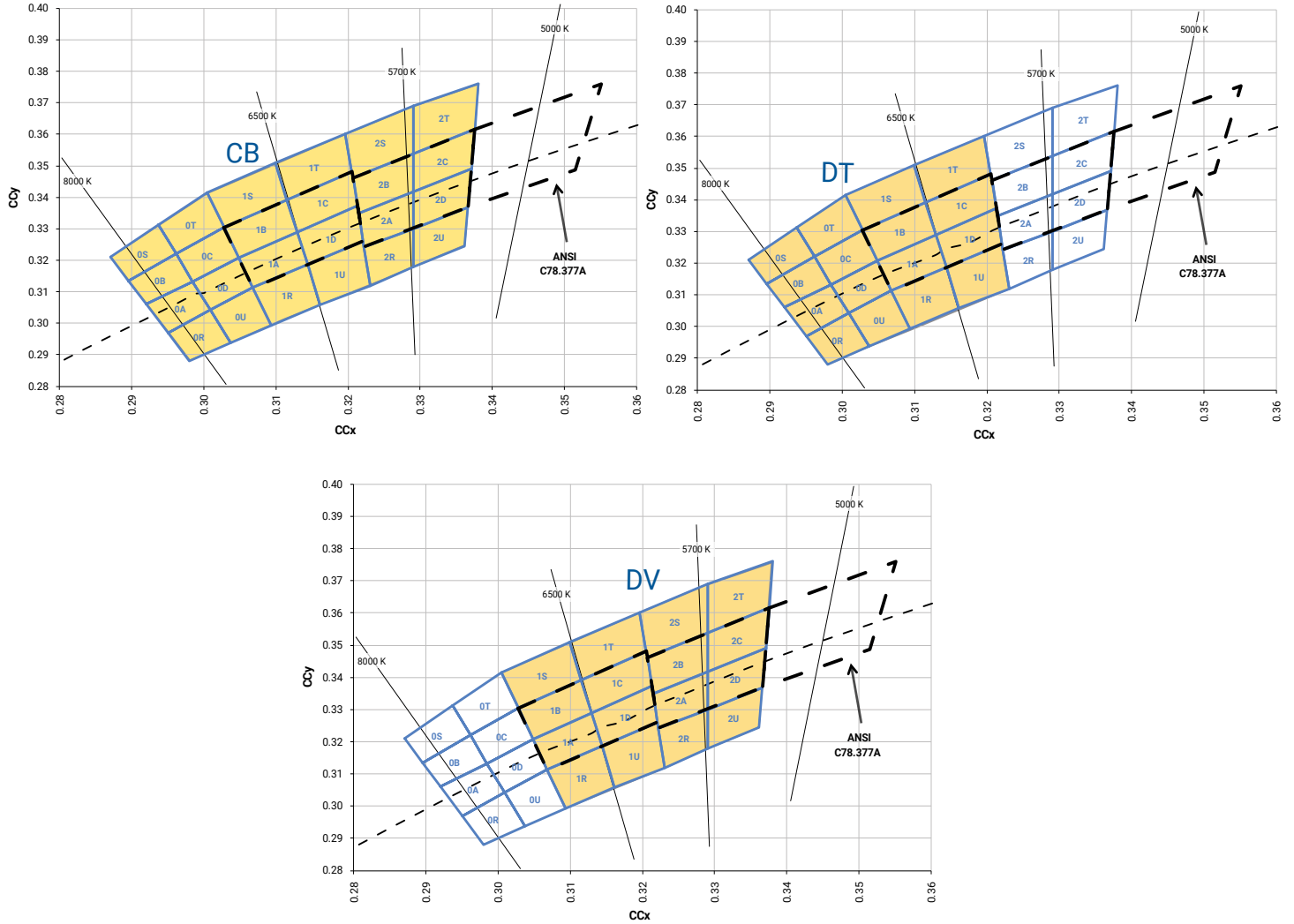
PERFORMANCE GROUPS – CHROMATICITY - CONTINUED

Region	x	y	Region	x	y	Region	x	y	Region	x	y
6A	0.3941	0.3848	6B	0.3996	0.4015	6C	0.4146	0.4089	6D	0.4080	0.3916
	0.4080	0.3916		0.4146	0.4089		0.4299	0.4165		0.4221	0.3985
	0.4017	0.3752		0.4080	0.3916		0.4221	0.3985		0.4147	0.3814
	0.3889	0.3690		0.3941	0.3848		0.4080	0.3916		0.4017	0.3752
7A	0.4221	0.3985	7B	0.4299	0.4165	7C	0.4430	0.4212	7D	0.4342	0.4028
	0.4342	0.4028		0.4430	0.4212		0.4562	0.4260		0.4465	0.4071
	0.4260	0.3853		0.4342	0.4028		0.4465	0.4071		0.4373	0.3893
	0.4147	0.3814		0.4221	0.3985		0.4342	0.4028		0.4260	0.3853
8A	0.4465	0.4071	8B	0.4562	0.4260	8C	0.4687	0.4289	8D	0.4582	0.4099
	0.4582	0.4099		0.4687	0.4289		0.4813	0.4319		0.4700	0.4126
	0.4483	0.3918		0.4582	0.4099		0.4700	0.4126		0.4593	0.3944
	0.4373	0.3893		0.4465	0.4071		0.4582	0.4099		0.4483	0.3918

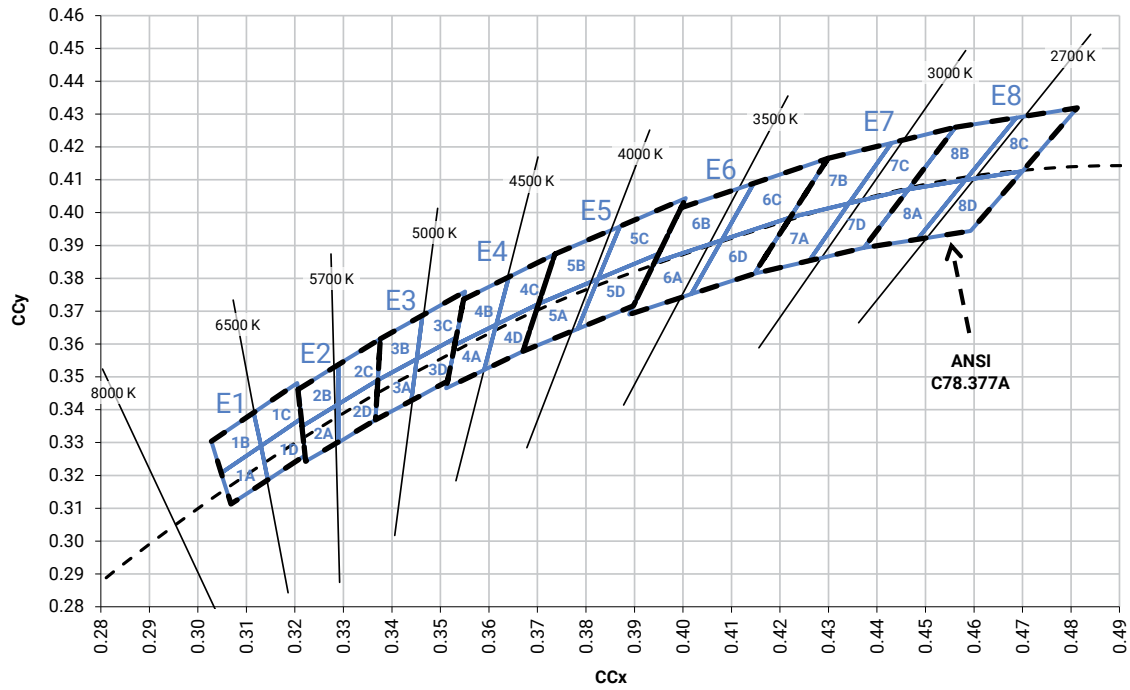
CREE'S EASYWHITE® KITS PLOTTED ON ANSI STANDARD CHROMATICITY REGIONS



CREE'S ANSI KITS PLOTTED ON ANSI STANDARD CHROMATICITY REGIONS



CREE'S ANSI KITS PLOTTED ON ANSI STANDARD CHROMATICITY REGIONS - CONTINUED



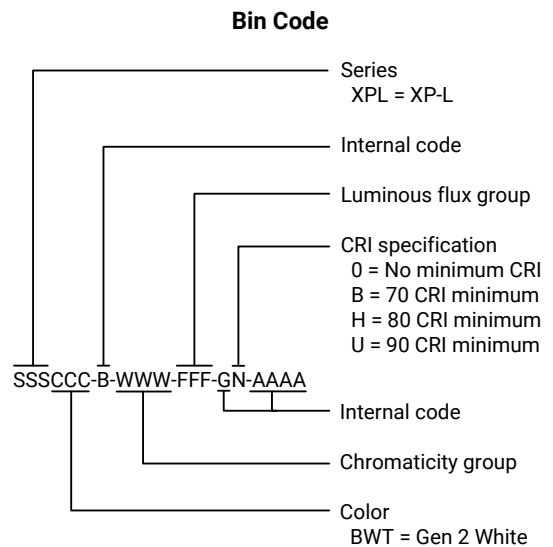
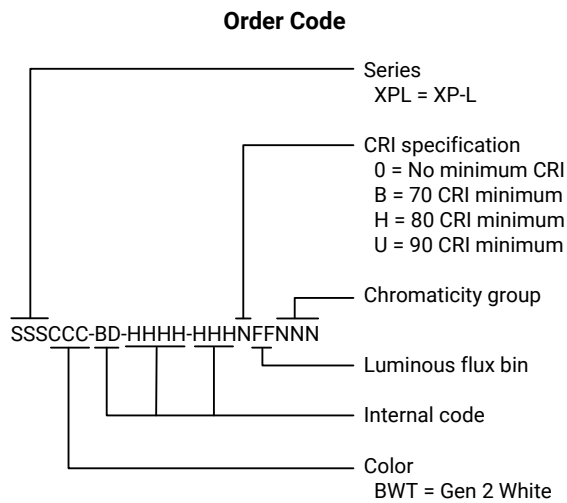
CREE'S STANDARD CHROMATICITY KITS

The following table provides the chromaticity bins associated with chromaticity kits.

Color	CCT	Kit	Chromaticity Bins
Cool White	6500 K	CB	0A, 0B, 0C, 0D, 0R, 0S, 0T, 0U, 1A, 1B, 1C, 1D, 1R, 1S, 1T, 1U, 2A, 2B, 2C, 2D, 2R, 2S, 2T, 2U
	6500 K	E1	1A, 1B, 1C, 1D
	5700 K	DT	0A, 0B, 0C, 0D, 0R, 0S, 0T, 0U, 1A, 1B, 1C, 1D, 1R, 1S, 1T, 1U
	5700 K	DV	1A, 1B, 1C, 1D, 1R, 1S, 1T, 1U, 2A, 2B, 2C, 2D, 2R, 2S, 2T, 2U
	5700 K	E2	2A, 2B, 2C, 2D
Neutral White	5000 K	E3	3A, 3B, 3C, 3D
	4500 K	E4	4A, 4B, 4C, 4D
	4000 K	E5	5A, 5B, 5C, 5D
Warm White	3500 K	E6	6A, 6B, 6C, 6D
	3000 K	E7	7A, 7B, 7C, 7D
	2700 K	E8	8A, 8B, 8C, 8D

BIN AND ORDER CODE FORMATS

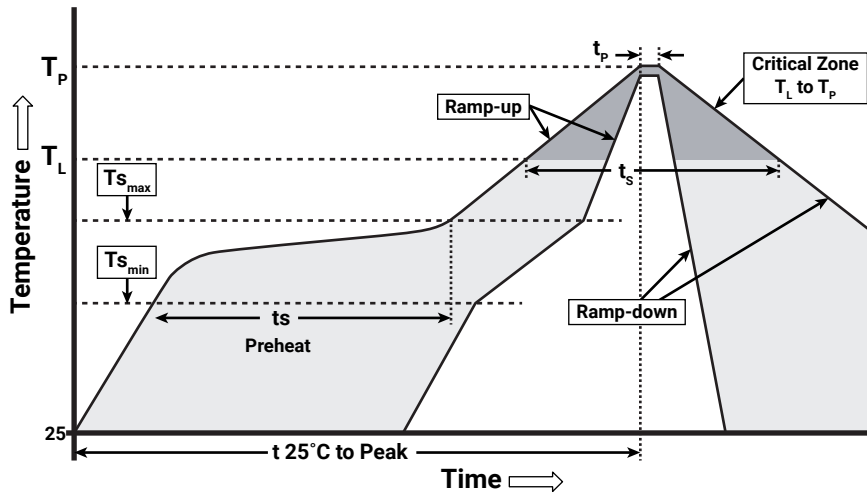
XP-L2 bin codes and order codes are configured in the following manner:



REFLOW SOLDERING CHARACTERISTICS

In testing, Cree has found XLamp XP-L2 LEDs to be compatible with JEDEC J-STD-020C, using the parameters listed below. As a general guideline, Cree recommends that users follow the recommended soldering profile provided by the manufacturer of the solder paste used.

Note that this general guideline may not apply to all PCB designs and configurations of reflow soldering equipment.



IPC/JEDEC J-STD-020C

Profile Feature	Lead-Free Solder
Average Ramp-Up Rate ($T_{s_{max}}$ to T_P)	1.2 °C/second
Preheat: Temperature Min ($T_{s_{min}}$)	120 °C
Preheat: Temperature Max ($T_{s_{max}}$)	170 °C
Preheat: Time ($t_{s_{min}}$ to $t_{s_{max}}$)	65-150 seconds
Time Maintained Above: Temperature (T_L)	217 °C
Time Maintained Above: Time (t_l)	45-90 seconds
Peak/Classification Temperature (T_P)	235 - 245 °C
Time Within 5 °C of Actual Peak Temperature (t_p)	20-40 seconds
Ramp-Down Rate	1 - 6 °C/second
Time 25 °C to Peak Temperature	4 minutes max.

Note: All temperatures refer to the topside of the package, measured on the package body surface.

NOTES

Measurements

The luminous flux, radiant power, chromaticity and CRI measurements in this document are binning specifications only and solely represent product measurements as of the date of shipment. These measurements will change over time based on a number of factors that are not within Cree's control and are not intended or provided as operational specifications for the products. Calculated values are provided for informational purposes only and are not intended as specifications.

Pre-Release Qualification Testing

Please read the [LED Reliability Overview](#) for details of the qualification process Cree applies to ensure long-term reliability for XLamp LEDs and details of Cree's pre-release qualification testing for XLamp LEDs. Cree did not perform Room Temperature Operating Life (RTOL) testing on the XP-L2 LED.

Lumen Maintenance

Cree now uses standardized IES LM-80-08 and TM-21-11 methods for collecting long-term data and extrapolating LED lumen maintenance. For information on the specific LM-80 data sets available for this LED, refer to the public [LM-80 results document](#).

Please read the [Long-Term Lumen Maintenance application note](#) for more details on Cree's lumen maintenance testing and forecasting. Please read the [Thermal Management application note](#) for details on how thermal design, ambient temperature, and drive current affect the LED junction temperature.

Moisture Sensitivity

Cree recommends keeping XLamp LEDs in the provided, resealable moisture-barrier packaging (MBP) until immediately prior to soldering. Unopened MBPs that contain XLamp LEDs do not need special storage for moisture sensitivity.

Once the MBP is opened, XLamp XP-L2 LEDs may be stored as MSL 1 per JEDEC J-STD-033, meaning they have unlimited floor life in conditions of ≤ 30 °C/85% relative humidity (RH). Regardless of the storage condition, Cree recommends sealing any unsoldered LEDs in the original MBP.

UL® Recognized Component

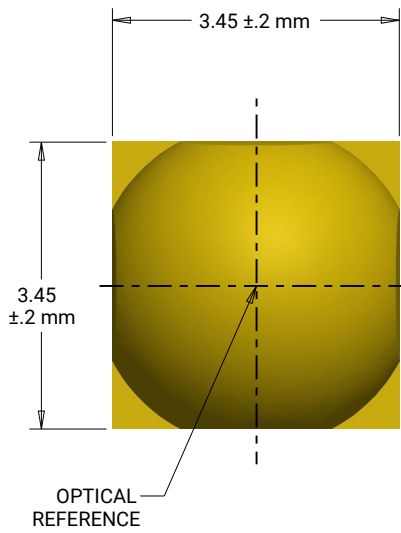
Level 4 enclosure consideration. The LED package or a portion thereof has been investigated as a fire and electrical enclosure per ANSI/UL 8750.

Vision Advisory

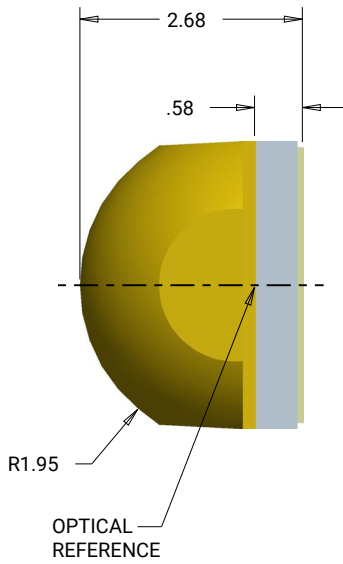
WARNING: Do not look at an exposed lamp in operation. Eye injury can result. For more information about LEDs and eye safety, please refer to the [LED Eye Safety application note](#).

MECHANICAL DIMENSIONS

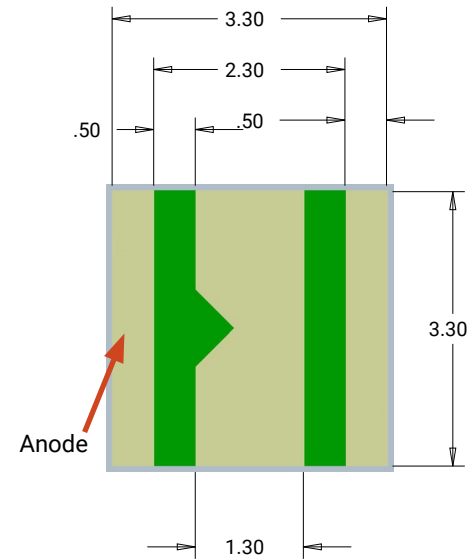
All measurements are $\pm .13$ mm unless otherwise indicated.



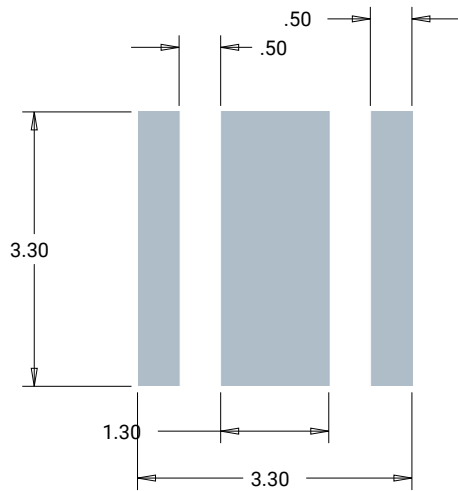
Top View



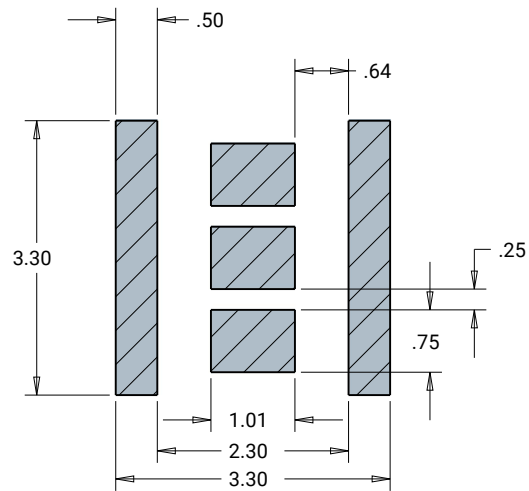
Side View



Bottom View



Recommended PCB Solder Pad

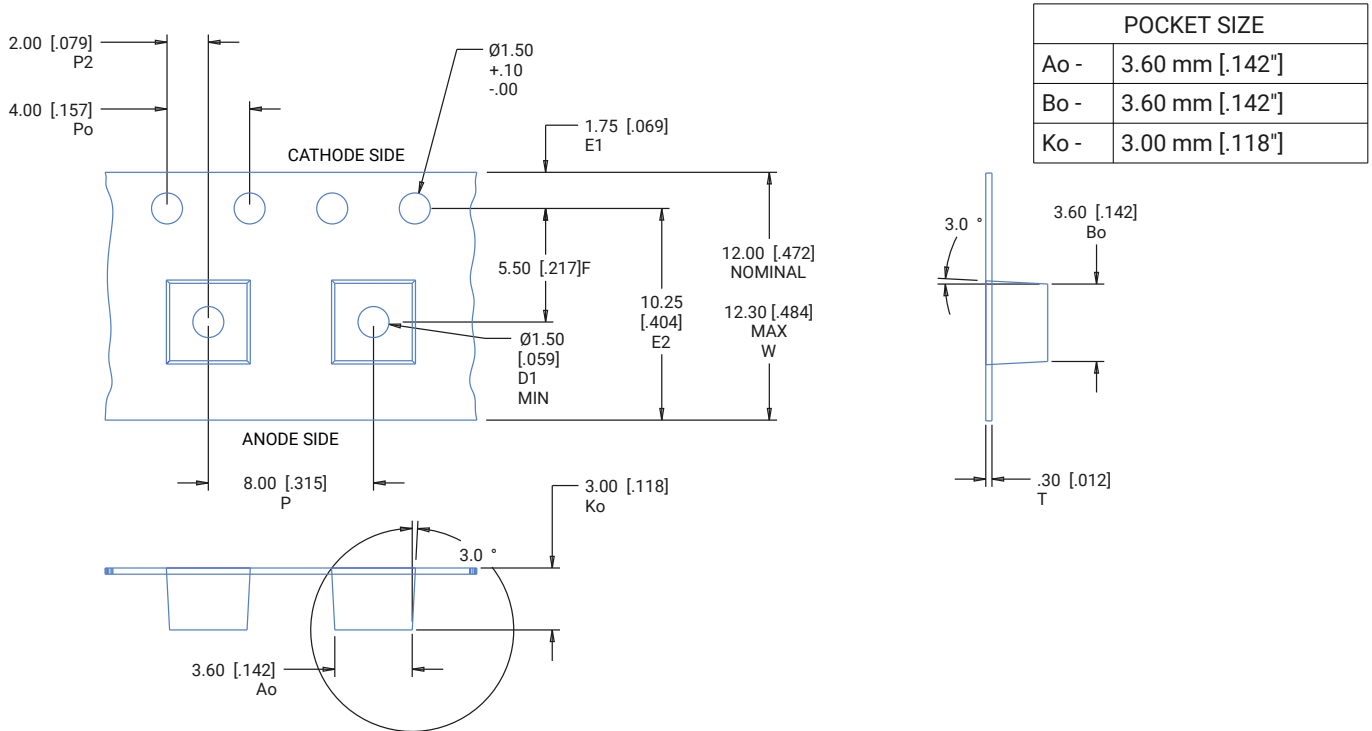


**Recommended Stencil Pattern
(Hatched Area Is Open)**

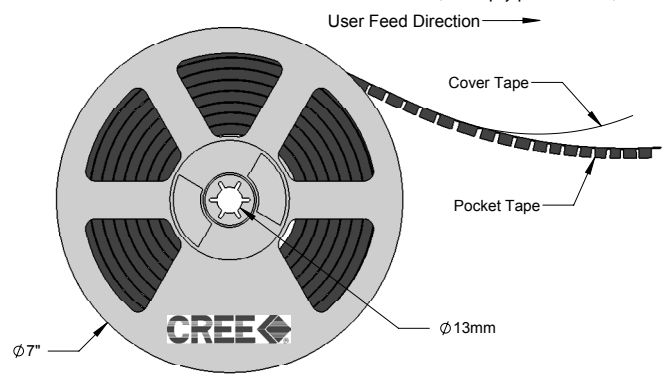
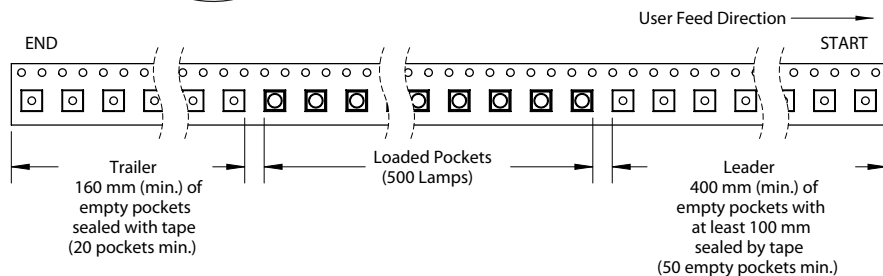
TAPE AND REEL

All Cree carrier tapes conform to EIA-481D, Automated Component Handling Systems Standard.

Except as noted, all dimensions in mm [inches]

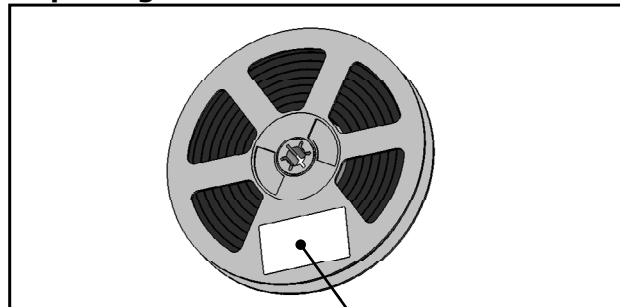


POCKET SIZE	
Ao -	3.60 mm [.142"]
Bo -	3.60 mm [.142"]
Ko -	3.00 mm [.118"]



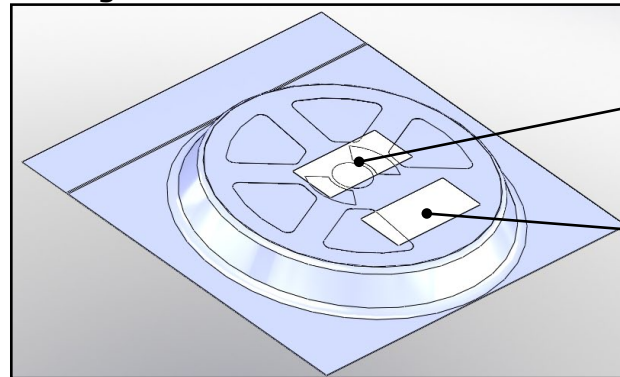
PACKAGING

Unpackaged Reel



Label with Cree Bin Code,
Quantity, Reel ID

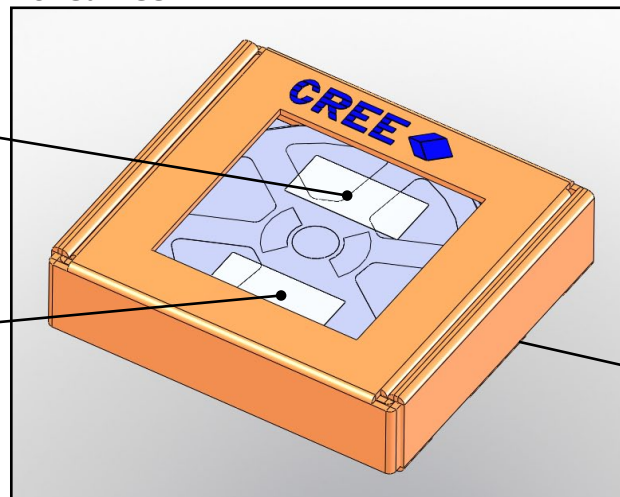
Packaged Reel



Label with Cree Order Code,
Quantity, Reel ID, PO #

Label with Cree Bin Code,
Quantity, Reel ID

Boxed Reel



Label with Cree Order Code,
Quantity, Reel ID, PO #

Label with Cree Bin Code,
Quantity, Reel ID

Patent Label
(on bottom of box)