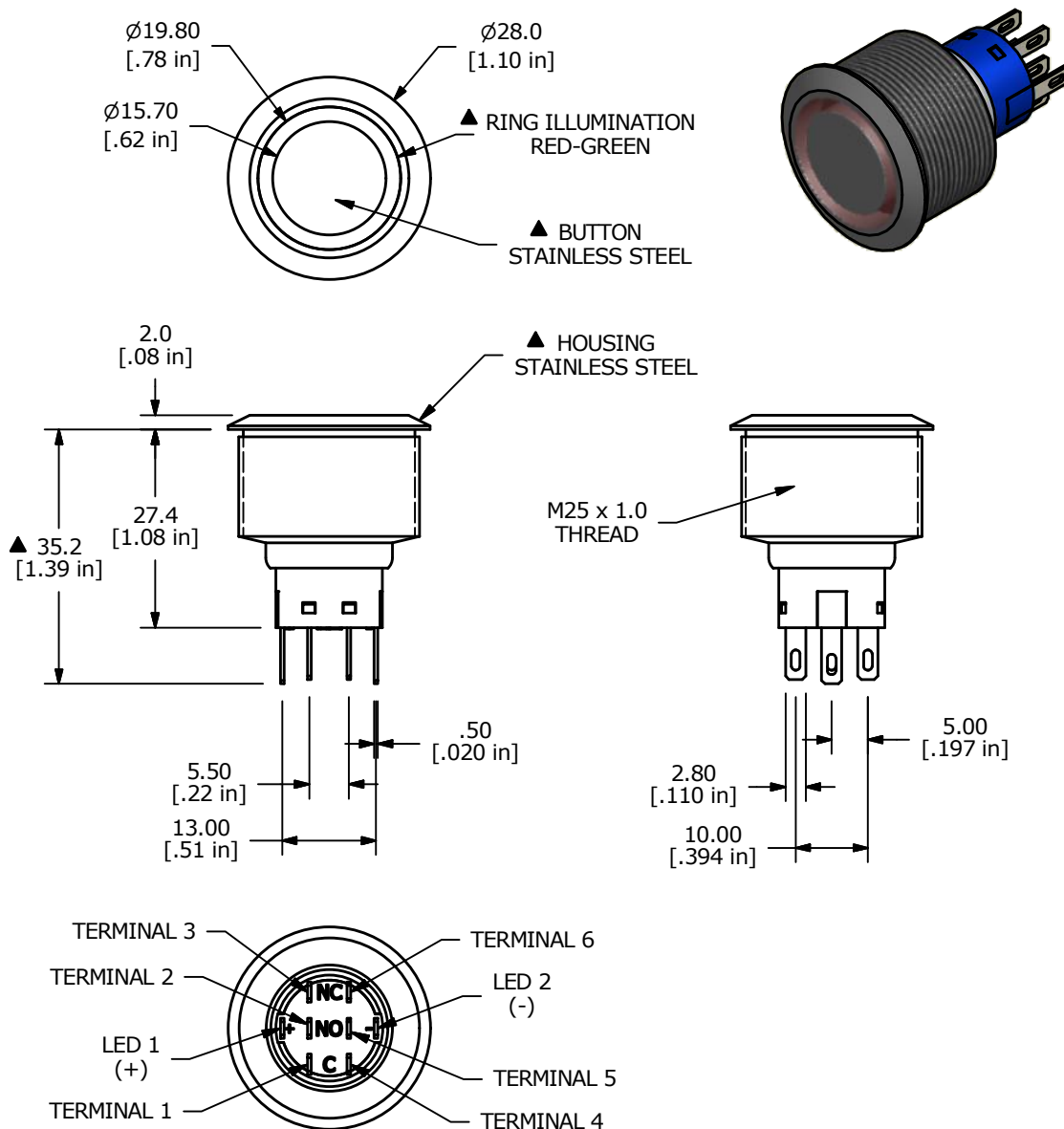


SCHEMATIC
▲ ON - ON
DPDT Illuminated
RED (FORWARD) /
GREEN (REVERSE)

- NOTE:
1. ALL DIMENSIONS IN MM [INCH]
 2. GENERAL TOLERANCE: X.X = ±0.4
X.XX = ±0.25
 3. TERMINAL NUMBERS FOR REF ONLY
 - ▲ 4. CONTACT MATERIAL: SILVER
 5. RATING: 3A 250 VAC cUL
 6. ELECTRIC LIFE: 50,000 MAKE-AND-BREAK CYCLES AT FULL LOAD.
 7. MECHANICAL LIFE: 500,000 CYCLES.
 8. INSULATION RESISTANCE: 1,000 MΩ @ 500VDC MIN.
 9. DIELECTRIC STRENGTH: 2,000 VAC MIN. FOR 1 MINUTE
 10. CONTACT RESISTANCE: 50mΩ MAX. @ 1A 12VDC
 11. OPERATING TEMP.: -20°C to 55°C
 12. ▲ DENOTES CRITICAL PARAMETER.
 - ▲ 13. LAMP VOLTAGE: 20mA 24V
 14. TRAVEL: 3.2mm
 15. ACTUATION FORCE: 3.5 ± 1.0 N
 - 16 MOUNTING NUT TORQUE: 5-14 Nm
 17. INGRESS PROTECTION: IP67
 18. HARDWARE SUPPLIED: O-RING AND HEXNUT



TITLE ULV8F2GSS3G5

| | | | | |
|-----|--------|-------------|--------|----|
| A | 22291 | New Release | 5/3/16 | MW |
| REV | PCR NO | DESCRIPTION | DATE | BY |

| | | | | |
|-------|----------|----|---------|-----|
| SCALE | DATE | DR | DWG | REV |
| 1:1 | 5/3/2016 | MW | T980006 | A |

THE INFORMATION CONTAINED IN THIS DOCUMENT IS PROPRIETARY TO E-SWITCH AND IS NOT TO BE COPIED OR TRANSFERRED