

FEATURES

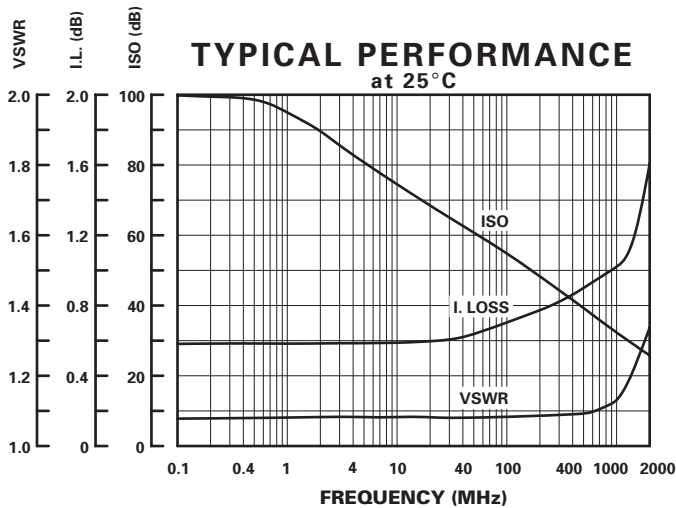
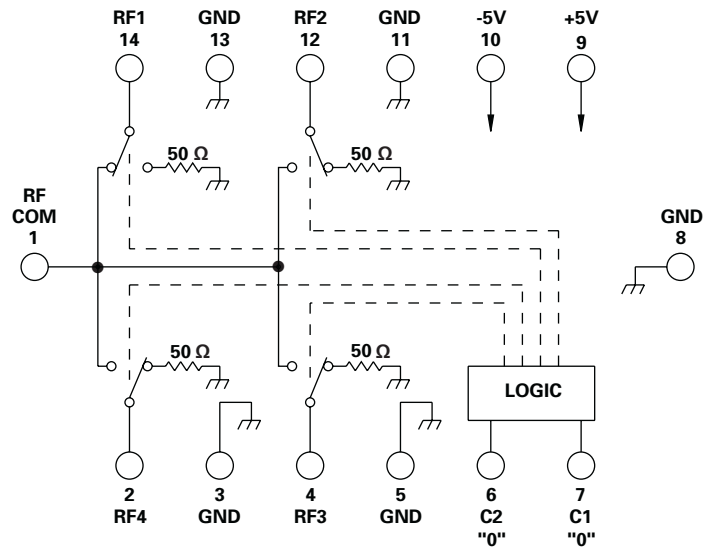
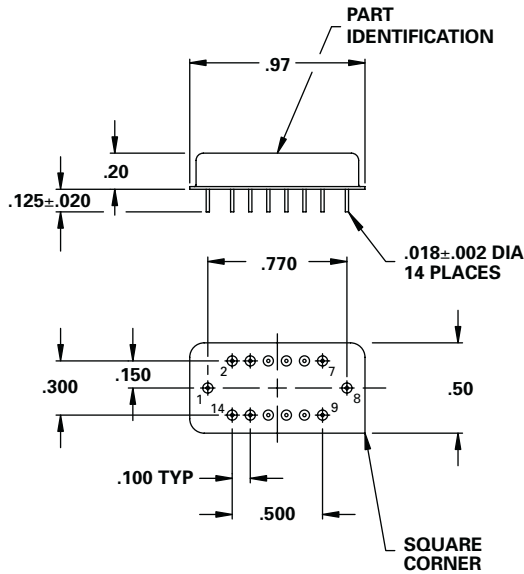
- DC - 1000 MHz
- Low Cost
- TTL Driver
- 14 Pin DIP



**MODEL NO.
DSW42044**

GaAs SP4T

SP4T



LOGIC TABLE		
C2	C1	THRU PATH
0	0	COM To RF1
0	1	COM To RF2
1	0	COM To RF3
1	1	COM To RF4

GUARANTEED PERFORMANCE

Parameter	Min	Typ	Max	Units	Conditions
Operating Frequency	DC		1000	MHz	
DC Current		0.20	1.0	mA	At +5 VDC Supply
		0.20	1.0	mA	At -5 VDC Supply
Control Type		TTL			2 Line See Logic Table
Control Current	High	0	±1	µA	V _{IH} = +2.7V
	Low	0	±1	µA	V _{IL} = +0.5V
Insertion Loss		0.7	1.0	dB	DC - 10 MHz
		1.0	1.5	dB	200 - 1000 MHz
Isolation	70	76		dB	DC - 10 MHz
	50	56		dB	10 - 100 MHz
	25	32		dB	100 - 1000 MHz
VSWR	Thru	1.2/1	1.3/1		
	Termination	1.2/1	1.5/1		
Impedance		50		OHMS	
Switching Speed		48	70	nSEC	50% TTL to 90% / 10% RF
Transition (Rise/Fall) Time		25		nSEC	90% / 10% or 10% / 90% RF
Switching (Video) Transients		25		mV	Peak Value
Intercept Points	2nd	+53		dBm	DC - 200 MHz
	3rd	+33		dBm	DC - 200 MHz
	2nd	+75		dBm	200 - 1000 MHz
	3rd	+45		dBm	200 - 1000 MHz
RF Power	Operate	+13	+10	dBm	DC - 200 MHz
		+16	+13	dBm	200 - 1000 MHz
	No Damage		+25	dBm	
Operating Temperature	-55	+25	+125	°C	TA