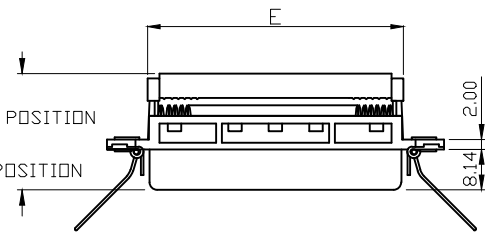


1 2 3 4 5 6 7

A

A

20.90 MAX
AFTER CRIMPING POSITION
23.40 MAX
PRE-CRIMPING POSITION



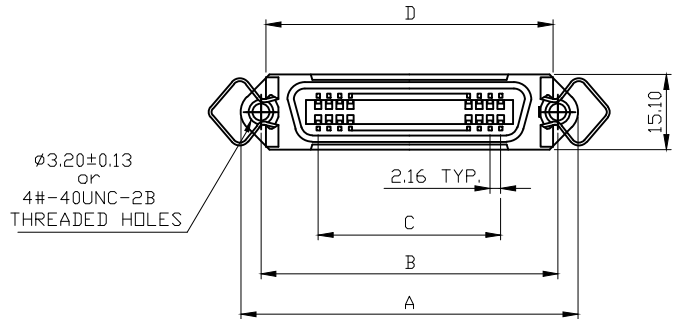
SPECIFICATIONS:
 Current rating : 1A : AWG28/1, 2A : AWG26
 Insulation resistance : $\geq 1000M\Omega$
 Dielectric withstanding volatge : 500V,at sea level
 Operating temperature : $-55^{\circ}C \sim 105^{\circ}C$ (limited by cable)
 Contact resistance : $\leq 20m\Omega$
 Dielectric material : PBT & glass reinforced,UL 94V-0
 Contact material : phosphor bronze
 Contact plating : gold over nickel
 Wire size : AWG26 & AWG28 stranded, 1.27mm conductor center flat cable
 ④ Operation temperature $-55^{\circ}C$ to $+105^{\circ}C$

B

B

C

C

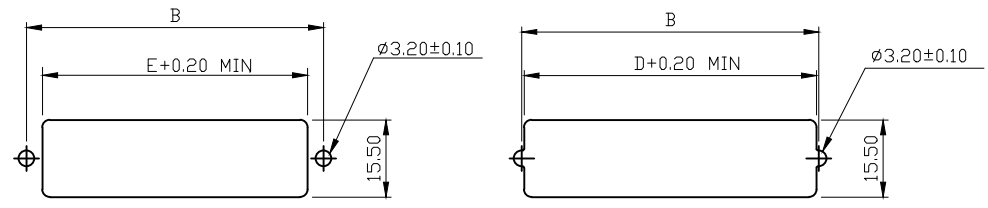


D

D

E

E



RECOMMEND FRONT MOUNT PANEL

RECOMMEND REAR MOUNT PANEL

53.70	51.50	58.80	36.72	59.74	67.80	5F40360M
F ± 0.25	E ± 0.25	D ± 0.25	C ± 0.13	B ± 0.13	A ± 0.25	

F

F

RoHS compliant

Scale	1:1						Date	Name	Customer-No.
TOLERANCE							Drawn	17.05.2006	Hellwig
X.	± 0.38	④	Update				Approved	29.05.2014	Joanna
X.X	± 0.25	③	Update	29.05.2014	Joanna	Approved	29.05.2014	Joanna	ASSMANN WSW-No. A-57/xx FFR-N A-57/xx MFR-N
X.XX	± 0.13	②	Update	13.12.2010	Alex				
Angle		①	Update	30.06.2009	Dean				Drawing-No.
X.°	$\pm 3^{\circ}$		Drawn	17.05.2006	Hellwig				ASS 0126 CO
X.X°	$\pm 1^{\circ}$								rev04
		Id.	Modification	Date	Name	ASSMANN WSW components		Replace	Sheet

G

G

H

H

1 2 3 4 5 6 7