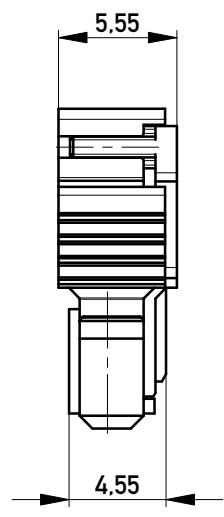
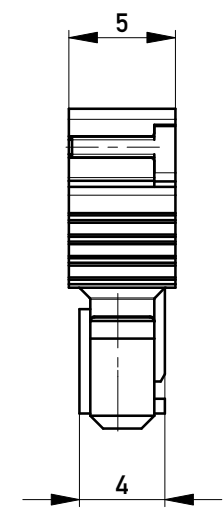


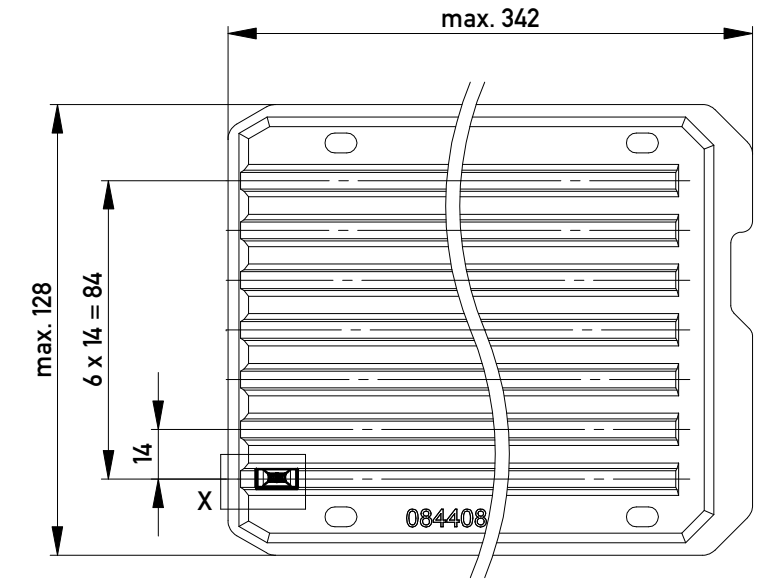
Abdeckung vorverrastet
cover loose mounted



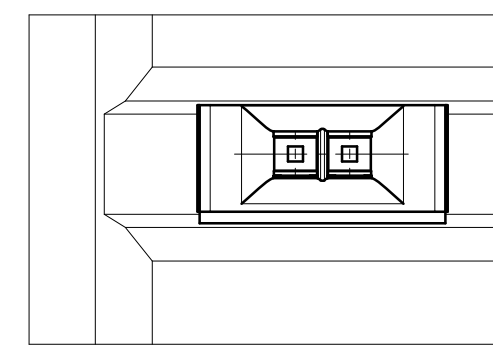
Abdeckung verpresst
cover pressed on

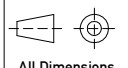



Verpackt in Tray - tray packaging
Verpackungseinheit 182 Stück - packaging unit 182



Einzelheit X
detail X



Information: Codierung grün - coding green	Tolerances  All Dimensions in mm	Scale	3:1
		Designation F 2,54 SRC-A, 2-polig	
All rights reserved. Only for Information. To ensure that this is the latest version of this drawing, please contact one of the ERNI companies before using.	Subject to modification without prior notice. Drawing will not be updated.	 www.ERNI.com	
		100302070001	
c	23.07.2015	Class	SRCBUG
Index	Date		
			K A3

Copyright by ERNI GmbH
Proprietary notice pursuant to ISO 16016 to be observed.