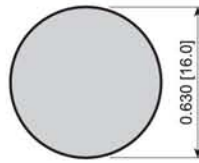


Suggested Panel Cutout



Maximum Panel Thickness: 0.236 [6.0]

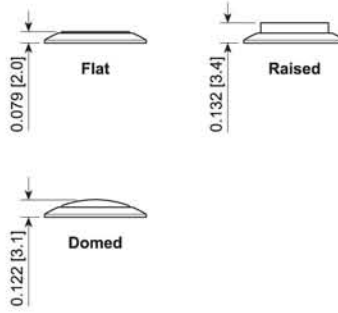
FEATURES:

- Vandal Resistant
- Water Resistant
- Long Life Expectancy

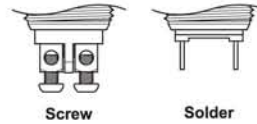
SPECIFICATIONS:

RATING: 2A 48VDC
TEMPERATURE: -20°C to 55°C
ELECTRICAL LIFE: 200,000 Cycles
CONTACT RESISTANCE: 50mΩ Max. at 1A 12VDC
INSULATION RESISTANCE: 1,000MΩ Min.
DIELECTRIC STRENGTH: 2,000VAC for 1 Minute
INGRESS PROTECTION: IP65

Actuator Options

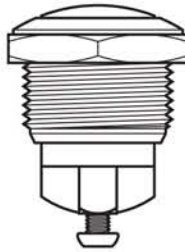
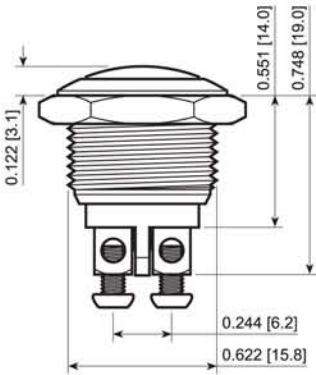


Terminal Options



MATERIALS:

BUSHING: Gold Plated Brass
 Nickel Plated Brass
 Stainless Steel
ACTUATOR: Gold Plated Brass
 Nickel Plated Brass
 Stainless Steel
BASE: Polybutylene Terephthalate, UL94 V-2
SEALING: Silicone
INNER ASSEMBLY: Polyamide 6/6
 Brass
SPRING: Stainless Steel
CONTACT: Silver Plated Brass
TERMINALS: Silver Plated Brass
 Steel
HARDWARE: Nickel Plated Brass



PV2F640SS



PV2H640SS



PV2S640GG



PV2S640NN

EXAMPLE PART NUMBERS:

PV2F640GG	1P Off-(On) Flat Actuator, Gold Plated Finish
PV2F640NN	1P Off-(On) Flat Actuator, Nickel Plated Finish
PV2F640SS	1P Off-(On) Flat Actuator, Stainless Steel Body
PV2H640GG	1P Off-(On) High Actuator, Gold Plated Finish
PV2H640NN	1P Off-(On) High Actuator, Nickel Plated Finish
PV2H640SS	1P Off-(On) High Actuator, Stainless Steel Body
PV2S640GG	1P Off-(On) Domed Actuator, Gold Plated Finish
PV2S640NN	1P Off-(On) Domed Actuator, Nickel Plated Finish
PV2S640SS	1P Off-(On) Domed Actuator, Stainless Steel Body

Series	Actuator Options	Terminal	Function	Rating	Body Finish	Actuator Finish	Contact Material	Marking Options
PV2	F - Flat H - High S - Domed	2 - Solder 6 - Screw	1 Pole: 4 - Off-(On)	0 - 2A 48VDC	G - Gold N - Nickel S - Polished Stainless Steel B - Brushed Stainless Steel	G - Gold N - Nickel S - Polished Stainless Steel B - Brushed Stainless Steel	None - Silver G - Gold	None - No Marking M01 - Power Symbol Custom Markings Available

Notes:
Additional material options available upon request. Please ask your salesperson.