

RoHS compliant



FEATURES

- Small DC current's measurements: DC1 mA~200 mA
- High accuracy: $\pm 1\% \text{FS} \pm 20 \text{ mV}$
- Least influence of magnetization:
Less than DC1 mA in current level
- Convenient Single Supply (+5 V)
- Reference voltage (Vref) terminal is equipped.

APPLICATIONS

- For the detection of earth fault or leakage current on Solar power generator etc.
- For the detection of earth fault or leakage current of transformer less PV power conditioner
- For the detection of earth fault or leakage and charge current of the battery

SPECIFICATIONS

| Part Number | C-DCZCT-20CDHL |
|----------------------|--|
| Max. Input Current | DC10 A |
| Measuring Range | DC1 mA ~ $\pm 200 \text{ mA}$ |
| Hole Diameter | $\phi 20 \text{ mm}$ (Through hole type) |
| Phase Accuracy | DC 10 mV/1 mA ~ DC 2000 mV/200 mA |
| Accuracy | $\pm 1\% \text{ F.S} \pm 20 \text{ mV}$ (DC5 V) , (23 ± 5 , less than 85 %RH) |
| Output Response | Less than 100 ms |
| Power Supply Voltage | 6 V DC 5 V $\pm 5\%$ (Max DC6 V) |
| Applicable Frequency | DC only |
| Current Consumption | 30 mA以下 Less than 30 mA (DC5 V) |
| Dimension | 42.7 (W) \times 42.4 (H) \times 21.9 (D) mm |
| Weight | Approx.27 g |
| Option | Exclusive use bus bar |

C-DCZCT

DC CURRENT SENSORS

PART NUMBER DESIGNATION

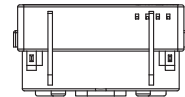
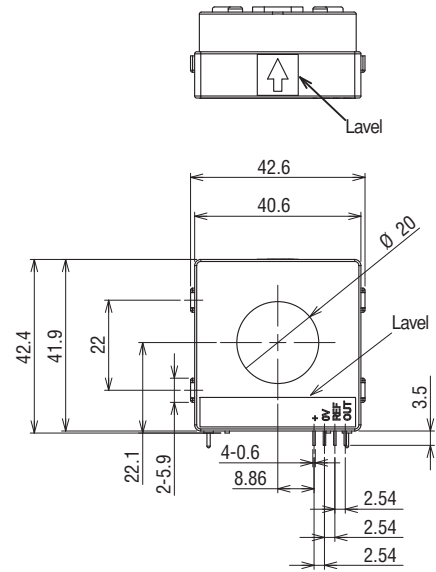
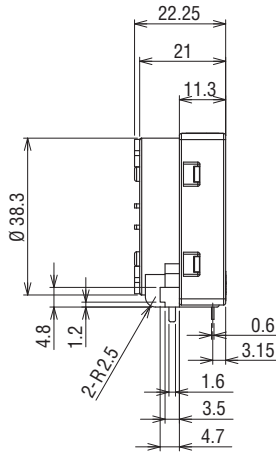
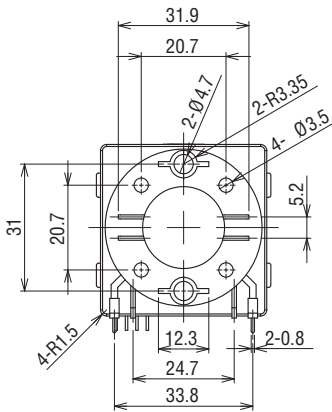
C - DCZCT- 20CDHL

Series Name

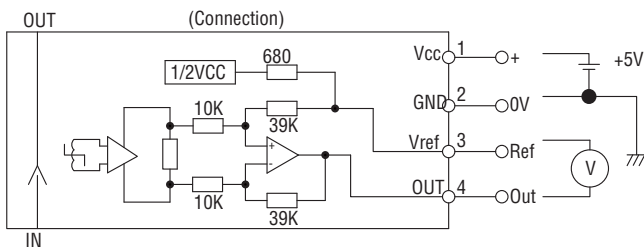
Hole Diameter
φ 20 mm

OUTLINE DIMENSIONS

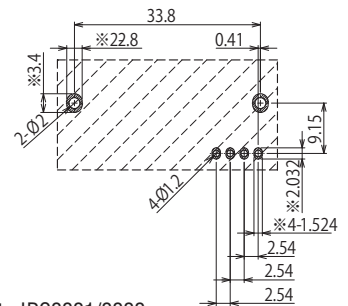
Unless otherwise specified, tolerance : ± 0.3 (Unit : mm)



CIRCUIT CONNECTION



P.C.B. DIMENSIONS



note 1) ※: Land patterns

note 2) P.C.B. wiring is conform to IPC2221/2222.

PACKAGING SPECIFICATIONS

Bulk Packing specifications

Individually packaged in a plastic bag (1pc per bag), it can order from 1pc.