

FMD28-461 EMI Input Filters

28 VOLT INPUT – 7 AMP

FEATURES

Attenuation to 50 dB at 500 kHz

- Operating temperature -55° to +125°C
- Nominal 28 V input, 0 to 50 V operation
- Transient rating to 100 V for 100 ms
- Up to 7 A throughput current
- Compliant to MIL-STD-461C, CE03
- Compatible with MIL-STD-704 A-E 28 VDC power bus



DESCRIPTION

The Interpoint® FMD28 Series™ EMI filters are specifically designed to reduce the reflected input ripple current of Interpoint high frequency dc-dc converters. FMD filters minimize electromagnetic interference (EMI) for the MOR, MFL, MTR, MHV, MHF+, MHF, MTO and MHE Series of converters. These filters are intended for use in 28 volt applications which must meet MIL-STD-461C CE03 levels of conducted emissions. One filter can be used with multiple converters up to the rated output current of the filter.

INPUT RIPPLE AND EMI

Switching dc-dc converters naturally generate two noise components on the power input line: differential noise and common mode noise. Input ripple current refers to both of these components. Differential noise occurs between the positive input and input common. Most Interpoint converters have an input filter that reduces differential noise which is sufficient for many applications. Common mode noise occurs across stray capacitances between the converter's power train components and the baseplate (bottom of the package) of the converter. See "Figure 1: FMD28-461 Block Diagram" on page 2

Where low noise currents are required to meet CE03 of MIL-STD-461C a power line filter reduces the common mode and differential noise generated by the converters. FMD28-461 filters reduce input ripple current by a minimum of 50 dB at 500 kHz when used in conjunction with Interpoint dc-dc converters.

Place the filter as close as possible to the converter for optimum performance. The baseplates of the filter and the converter should be connected with the shortest and widest possible conductors. See "Figure 2: Connection Diagram" on page 2.

TRANSIENTS

A transient of 100 V for up to 100 ms with a 0.5 ohm source impedance will not damage the filter.

OPERATION OVER TEMPERATURE

The FMD28-461 Series filters are rated for full power operation from -55°C to +125°C case temperature. Current is derated linearly to zero at +135°C case temperature.

INSERTION LOSS

The maximum dc insertion loss at full load and nominal input voltage represents a power loss of less than 1.3%.

PACKAGING

FMD28-461 filters are sealed in metal hermetic, down-leaded packages, "Figure 6: Case J4 - FMD28-461" on page 6. Also available in a side-leaded package, "Figure 7: Case U - FMD28-461SL" on page 7.

FMD28-461 EMI Input Filters

28 VOLT INPUT – 7 AMP

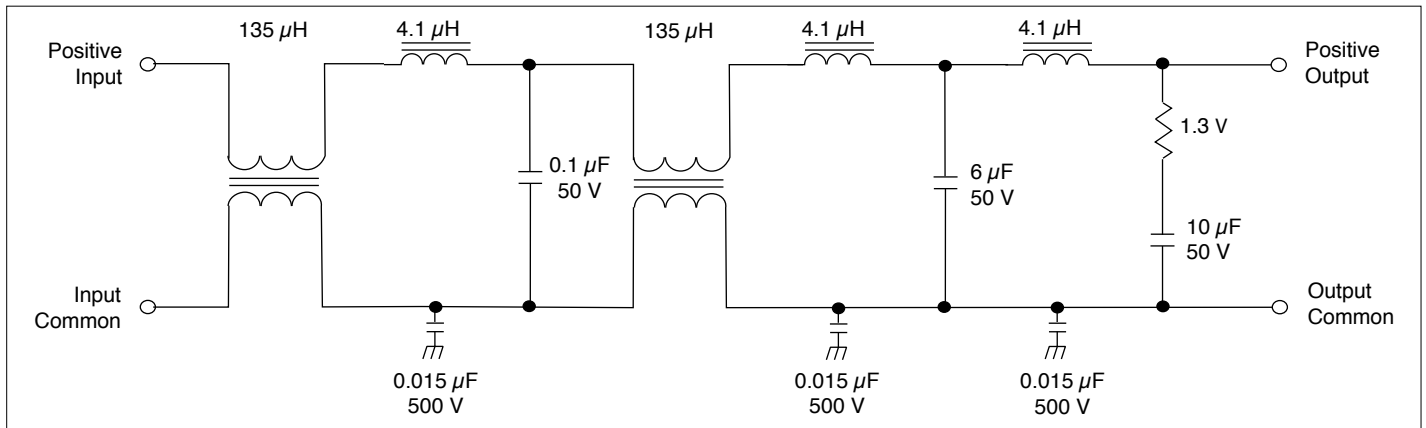


FIGURE 1: FMD28-461 BLOCK DIAGRAM

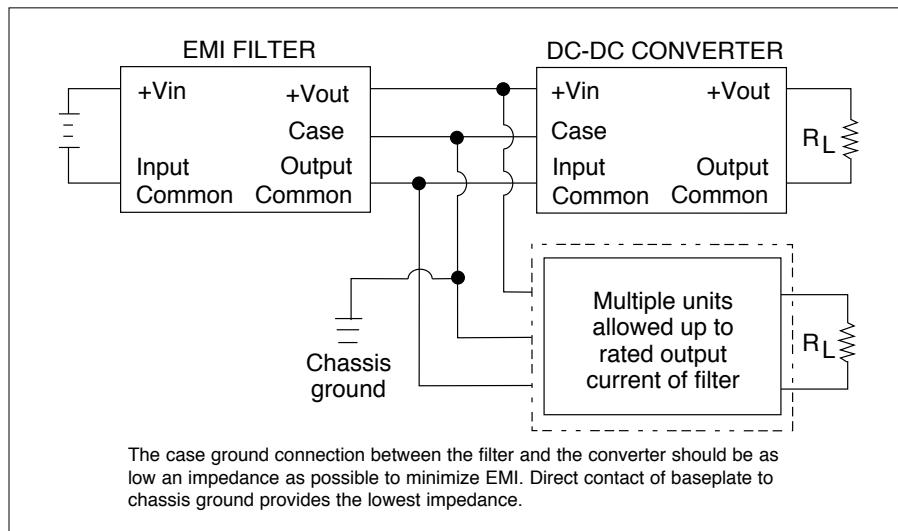


FIGURE 2: CONNECTION DIAGRAM

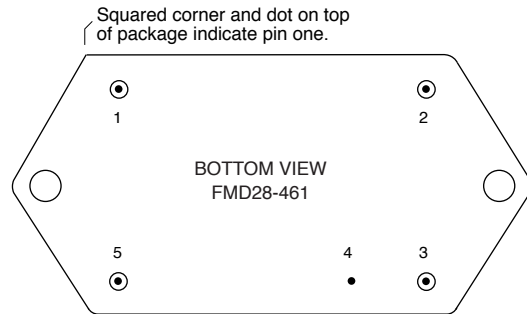
FMD28-461 EMI Input Filters

28 VOLT INPUT – 7 AMP

Pin	FMD28-461
1	Positive Input
2	Positive Output
3	Output Common
4	Case Ground ¹
5	Input Common

1. Although the down-leaded packages can be connected to chassis ground with the case ground lead, direct contact of the base plate to chassis improves EMI performance.

TABLE 1: PIN OUT FMD28-461



See "Figure 6: Case J4 - FMD28-461" on page 6 for dimensions.

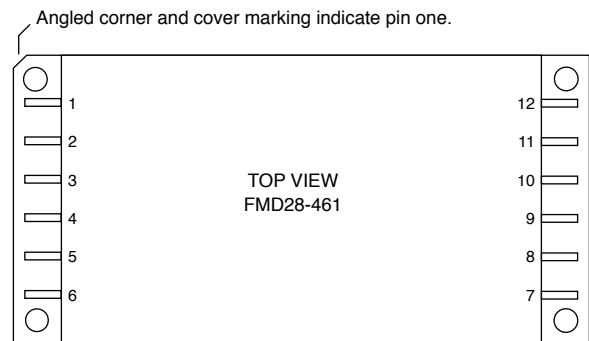
FIGURE 3: PIN OUT FMD28-461

Pin ¹	FMD28-461SL
1, 2, 3	Positive Input
4, 5, 6	Input Common
7, 8, 9	Output Common
10, 11, 12	Positive Output
—	Case Ground ²

Notes

1. All pins must be connected.
2. The baseplate is the only case ground connection and should directly contact chassis ground.

TABLE 2: PIN OUT FMD28-461SL



See "Figure 7: Case U - FMD28-461SL" on page 7 for dimensions.

FIGURE 4: PIN OUT FMD28-461SL

FMD28-461 EMI Input Filters

28 VOLT INPUT – 7 AMP

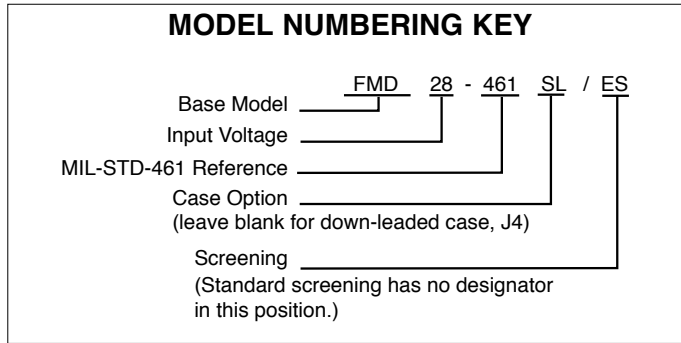


FIGURE 5: MODEL NUMBERING KEY

MODEL NUMBER OPTIONS ¹ TO DETERMINE THE MODEL NUMBER ENTER ONE OPTION FROM EACH CATEGORY IN THE FORM BELOW.			
CATEGORY	Base Model and Input Voltage	Case Option ²	Screening ³
OPTIONS	FMD28-461	(down-leaded case, J4, leave blank) SL (side-leaded case, U)	Standard (leave blank) /ES
FILL IN FOR MODEL #	FMD28-461	_____	/ _____
Notes: 1. See Model Numbering Key above for an example of a model number. 2. Case Options: Leave the case option blank for the standard, down-leaded case, "Figure 6: Case J4 - FMD28-461" on page 6. Use SL in the case option position for the side-leaded case, "Figure 7: Case U - FMD28-461SL" on page 7. 3. Screening: For standard screening leave the screening option blank. For other screening options, insert the desired screening level. For more information see "Table 6: Environmental Screening" on page 8.			

TABLE 3: MODEL NUMBER OPTIONS

FMD28-461 EMI Input Filters

28 VOLT INPUT – 7 AMP

TABLE 4: OPERATING CONDITIONS 25°C CASE, 28 VDC IN, UNLESS OTHERWISE SPECIFIED

PARAMETER	CONDITIONS	FMD28-461			UNITS
		MIN	TYP	MAX	
LEAD SOLDERING TEMPERATURE ¹	10 seconds max.	–	–	300	°C
STORAGE TEMPERATURE ¹		-65	–	+150	°C
CASE OPERATING TEMPERATURE ¹	FULL POWER	-55	–	+125	°C
	ABSOLUTE	-55	–	+135	
DERATING OUTPUT POWER/CURRENT ¹	LINEARLY	From 100% at 125°C to 0% at 135°C			
ISOLATION, ANY PIN TO CASE EXCEPT CASE PIN	@ 500 VDC AT 25°C	100	–	–	Megohms

Note

1. Guaranteed by design and/or analysis. Not an in-line test.

TABLE 5: ELECTRICAL CHARACTERISTICS 25°C CASE, 28 VIN, UNLESS OTHERWISE SPECIFIED

PARAMETER	CONDITIONS	FMD28-461			UNITS
		MIN	TYP	MAX	
INPUT VOLTAGE	CONTINUOUS	0	28	50 ¹	VDC
	TRANSIENT 100 ms ^{1, 2}	-100	–	100	V
NOISE REJECTION	500 kHz	50	60	–	dB
	1 MHz	45	55	–	
DC RESISTANCE (R _{DC}) AT MAXIMUM CURRENT ¹	T _C = 25°C	–	–	0.12	Ω
	T _C = 125°C	–	–	0.15	
CAPACITANCE ¹	ANY PIN TO CASE		20,000		pF
OUTPUT VOLTAGE	STEADY STATE	$V_{OUT} = V_{IN} - I_{IN} (R_{DC})$			VDC
OUTPUT CURRENT	STEADY STATE	–	–	7	A
POWER DISSIPATION AT MAXIMUM CURRENT ¹	T _C = 25°C	–	–	6.0	W
	T _C = 125°C ¹	–	–	7.4	

Note

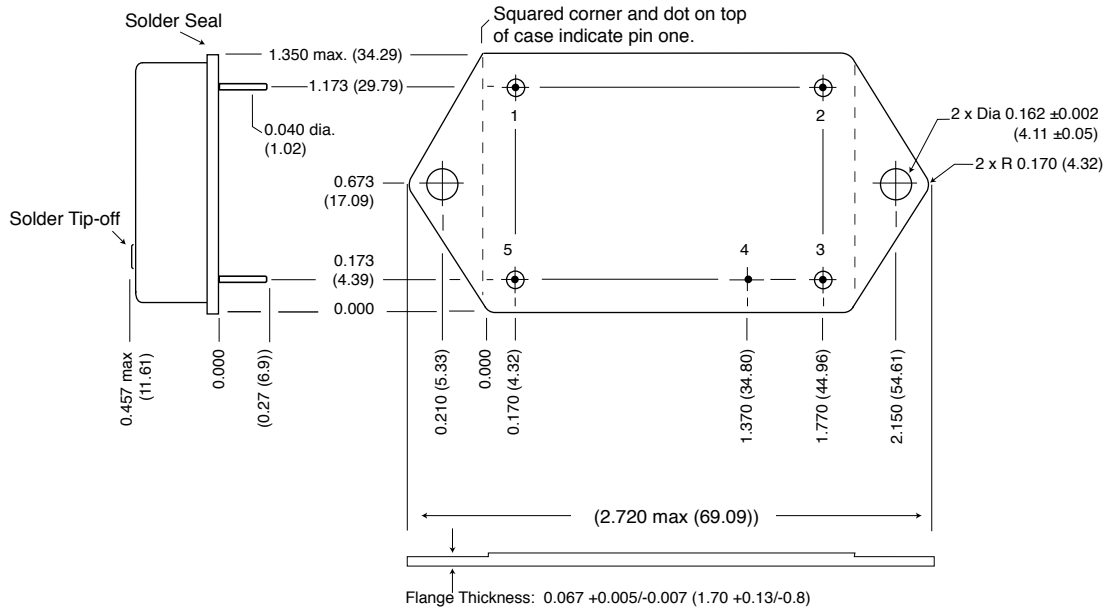
1. Guaranteed by design and/or analysis. Not an in-line test.

2. 0.5 ohm source impedance

FMD28-461 EMI Input Filters

28 VOLT INPUT – 7 AMP

BOTTOM VIEW CASE J4



Weight: 55 grams typical

Case dimensions in inches (mm)

Tolerance ± 0.005 (0.13) for three decimal places
 ± 0.01 (0.3) for two decimal places
 unless otherwise specified

CAUTION

Heat from reflow or wave soldering may damage the device. Solder pins individually with heat application not exceeding 300°C for 10 seconds per pin.

Materials

Header Cold Rolled Steel/Nickel/Gold
 Cover Kovar/Nickel
 Pins #52 alloy/Gold compression glass seal.
 Gold plating of 50 - 150 microinches included in pin diameter.
 Seal Hole: 0.091 ±0.002 (2.31 ±0.05)

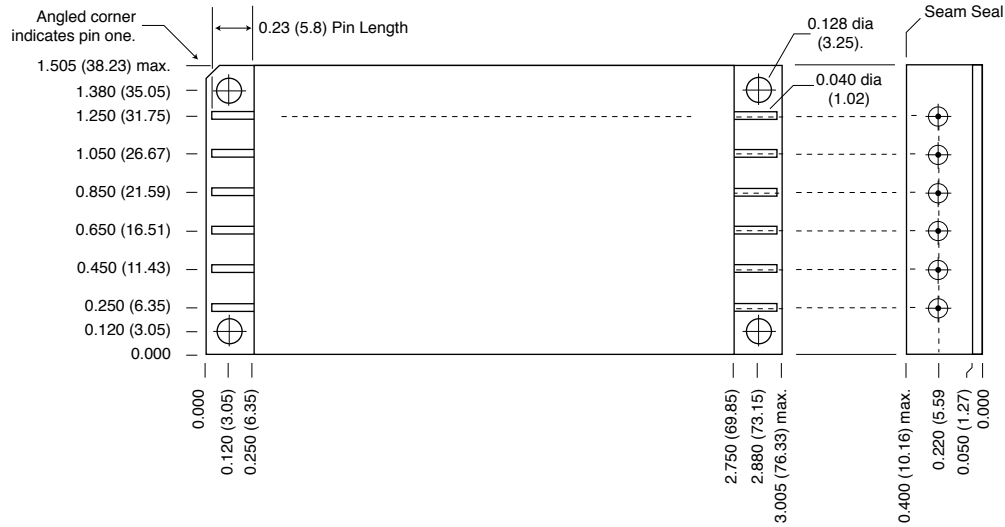
Case J4 FMD, Rev G, 2014.02.05
 Please refer to the numerical dimensions for accuracy.

FIGURE 6: CASE J4 - FMD28-461

FMD28-461 EMI Input Filters

28 VOLT INPUT – 7 AMP

TOP VIEW CASE U Flanged case, short-leaded



Weight: 77 grams typical

Case dimensions in inches (mm)

Tolerance ± 0.005 (0.13) for three decimal places
 ± 0.01 (0.3) for two decimal places
 unless otherwise specified

CAUTION

Heat from reflow or wave soldering may damage the device. Solder pins individually with heat application not exceeding 300°C for 10 seconds per pin.

Materials

Header Cold Rolled Steel/Nickel/Gold
 Cover Kovar/Nickel
 Pins #52 alloy/Gold ceramic seal
 Gold plating of 50 - 150 microinches is included in pin diameter
 Seal Hole: 0.120 \pm 0.002 (3.05 \pm 0.05)

Case U, Rev J, 2014.04.06
 Please refer to the numerical dimensions for accuracy.

FIGURE 7: CASE U - FMD28-461SL

FMD28-461 EMI Input Filters

28 VOLT INPUT – 7 AMP

STANDARD AND /ES (NON-QML) ENVIRONMENTAL SCREENING ^{1, 2}

TEST PERFORMED	NON-QML	
	STANDARD	/ES
Pre-cap Inspection Method 2017, 2032	■	■
Temperature Cycle (10 times) Method 1010, Cond. B, -55°C to +125°C, ambient		■
Constant Acceleration Method 2001, 500 g		■
Burn-in Method 1015 ³ 96 hours		■
Final Electrical Test MIL-PRF-38534, Group A Subgroups 1 and 4: +25°C case	■	■
Hermeticity Test		
Fine Leak, Method 1014, Cond. A		■
Gross Leak, Method 1014, Cond. C		■
Gross Leak, Dip	■	
Final visual inspection Method 2009	■	■

Test methods are referenced to MIL-STD-883 as determined by MIL-PRF-38534.

Notes:

1. "Non-QML" Refers to products that do not offer QML screening.
2. Standard and /ES, non-QML products, may not meet all of the requirements of MIL-PRF-38534.

TABLE 6: ENVIRONMENTAL SCREENING