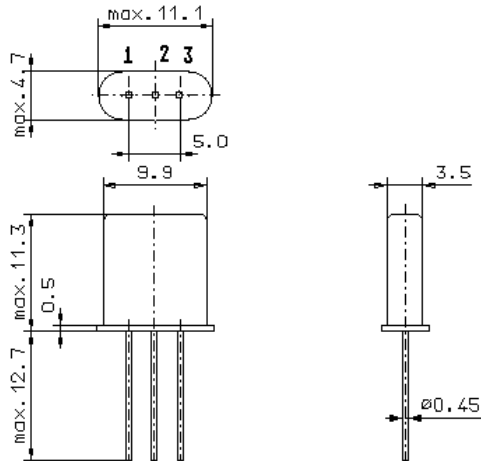


Specification for monolithic crystal filter:

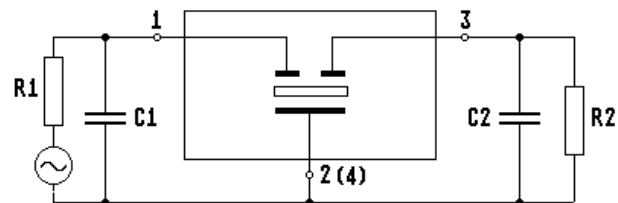
MQF 10.24-0200/01

1. General

1.1. Package:



GH3



- | | |
|-----------------------------------|-------------------|
| 1.2. Type name: | MQF 10.24-0200/01 |
| 1.3. Number of poles: | 2 |
| 1.4. Operating temperature range: | -20°C to +70°C |
| 1.5. Storage temperature range: | -45°C to +85°C |

2. Electric values

- | | |
|---------------------------------------|-----------|
| 2.1. Nominal centre frequency f_0 : | 10.24 MHz |
|---------------------------------------|-----------|

2.2. Pass band

- | | |
|---|---------------------------------|
| 2.2.1. Bandwidth between 3 dB - frequencies: | $> f_0 \pm 1.0$ kHz |
| 2.2.2. Ripple: | < 1.0 dB at $f_0 \pm 0.6$ kHz |
| 2.2.3. Insertion loss:
(measured on smallest attenuation in pass band) | < 3.5 dB |

2.3. Stop band

- | | |
|------------------------------|-----------------------------|
| 2.3.1. $f_0 \pm 18$ kHz | > 40 dB |
| 2.3.2. Alternate Attenuation | > 35 dB (except spurious) |

- | | |
|----------------------------------|---------|
| 2.4.1. Nominal input power level | +15 dBm |
| 2.4.2. Maximal input power level | +25 dBm |

- | | |
|---|-----------------------|
| 2.5. Terminating impedance R//C (input and output): | $800 \Omega // 15$ pF |
|---|-----------------------|

- | | |
|-------------|--|
| 3. Marking: | manufacturer, date code
10.24-
0200/01 |
|-------------|--|

- | | |
|----------------------------|---|
| 4. Environment conditions: | Corresponding to Vectron standard CF001 |
|----------------------------|---|

Edited by: _____ date: _____ name: _____