

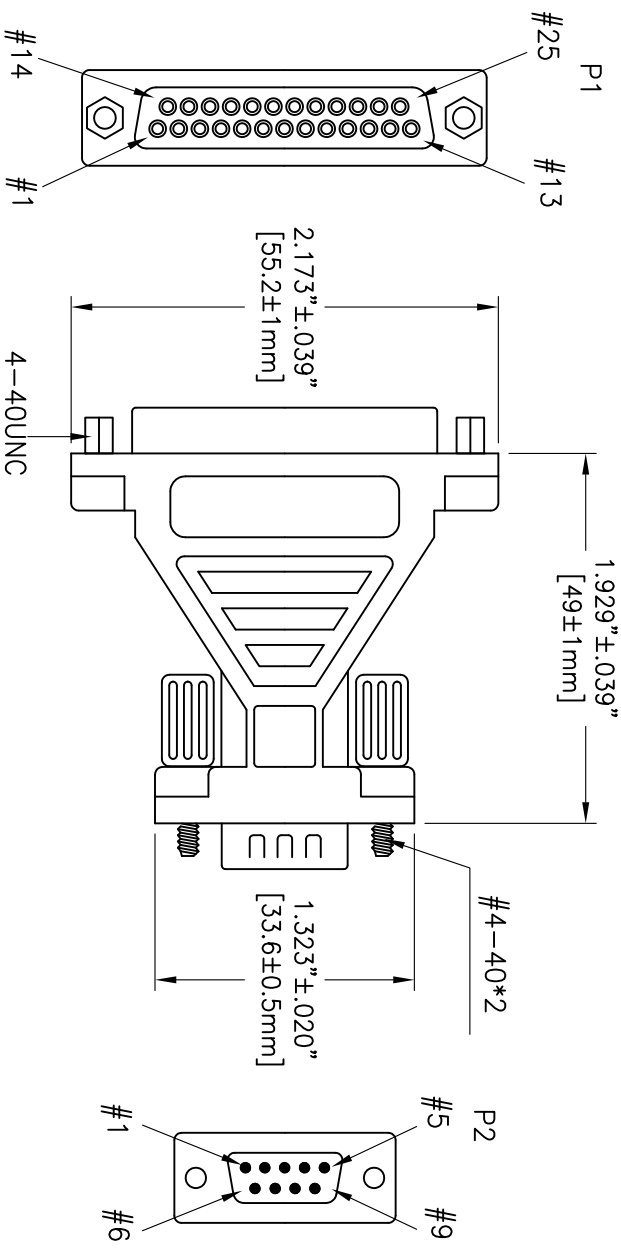
Rev	AWO #	Description	Date	Appr
-		RELEASED	5/16/11	

6 5 4 3 2 1

APPROVED: _____ TITLE: _____

DATE: _____

PIN ASSIGNMENT	
P1	P2
8	1
3	2
2	3
20	4
7	5
6	6
4	7
5	8
22	9
S	S



SPECIFICATIONS:

Connector:
P1=D-SUB, 25P, Female, color Blue
P2=D-SUB, 9P, Male, color Blue
Cable:
UL1007, 26AWG
Environmental:
Lead free, RoHS Compliant

UNLESS OTHERWISE SPECIFIED
ALL DIMENSIONS ARE MM. [INCHES]
TOLERANCES: EXCEPT AS NOTED
INCHES HOLES

.X	± .10	ØXX	± .10
.XX	± .020	ØXXX	± .015
.XXX	± .015	ØXXXX	± .010

ADAM TECH
909 Railway Avenue, Union, NJ 07083
Phone: 908-687-5000 Fax: 908-687-5710

TITLE
GENDER CHANGER, D-SUB 25PIN SOCKET
TO D-SUB 9PIN PLUG, COLOR BLUE

APPROVALS	DATE	SIZE	PART NO.	REV.
DRAWN	DY	5/16/11	GC-25S/JS-09P/TS-BU	-
CHECKED				
APPROVED				

REF: S00087T SCALE: NTS SHEET 1 OF 1

6 5 4 3 2 1