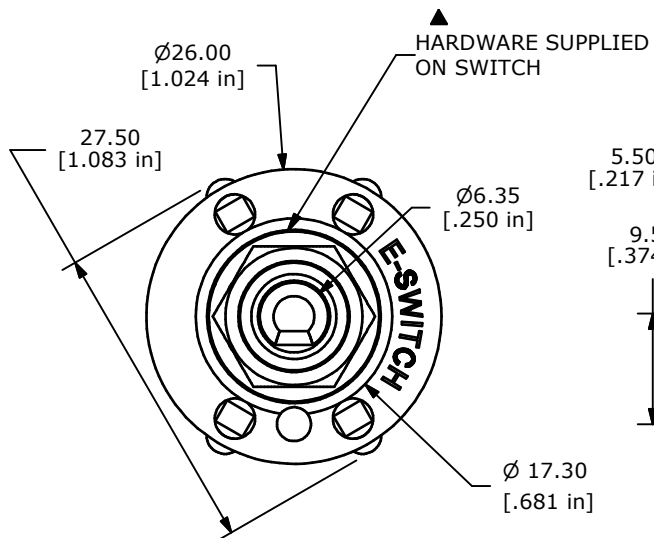
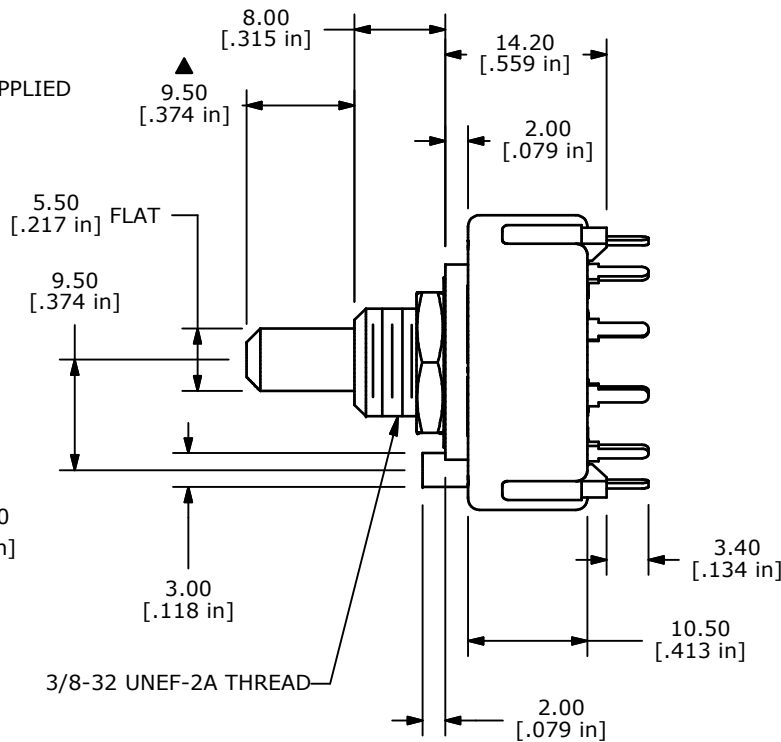


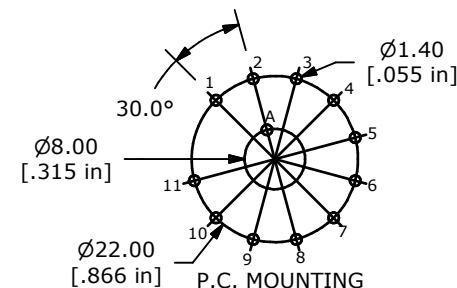
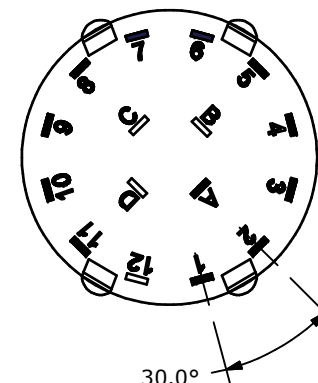
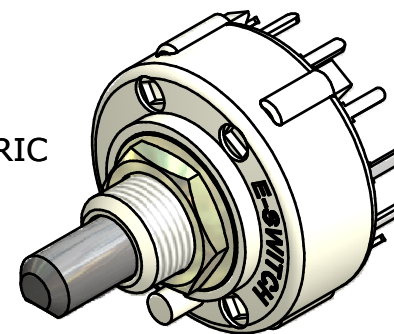
CONTACT CONFIGURATION  
TIMING (BBM) NON-SHORTING



- NOTE:
1. ALL DIMENSIONS IN MM[INCH].
  2. GENERAL TOLERANCE: X.X=± 0.4  
X.XX=± 0.25
  3. TERM. NOS. FOR REFERENCE ONLY.
  - ▲ 4. CONTACT MATERIAL: GOLD
  5. CONTACT RATING: 0.3A @ 125VAC
  6. CONTACT RESISTANCE: 50 Milli-OHMS MAX.
  7. OPERATING FORCE: 800 ± 300 g/cm
  8. OPERATING TEMP: -30°C TO 85°C
  - ▲ 9. CIRCUIT SP: 11 POSITION - 30° INDEX (NON-SHORTING)
  10. INSULATION RESISTANCE: 100 Mega-OHMS MIN.
  11. DIELECTRIC STRENGTH: 500 VAC FOR 1 min..
  - ▲ 12. HARDWARE SUPPLIED ON SWITCH:  
LOCKWASHER, HEXNUT, STOP RING
  13. ▲ DENOTES CRITICAL PARAMETER.
  14. 2002/95/EC (ROHS) COMPLIANT.



ISOMETRIC



A	18650	Released For Production	9/29/09	BLR
REV	PCR NO	DESCRIPTION	DATE	BY

THE INFORMATION CONTAINED IN THIS DOCUMENT IS PROPRIETARY TO E-SWITCH AND IS NOT TO BE COPIED OR TRANSFERRED

TITLE KC51A9.501NPF				
SCALE	DATE	DR	DWG	REV
1.5:1	9/29/2009	BLR	G511017	A