

PLEASE CHECK WWW.MOLEX.COM FOR LATEST PART INFORMATION

Part Number: [0734160030](#)
Status: **Active**
Overview: [7/16 DIN Connectors](#)
Description: 50 Ohms, 7/16 Straight Plug, Crimp, RG-8 and RG-213 Cable

Documents:

[Drawing \(PDF\)](#) [RoHS Certificate of Compliance \(PDF\)](#)

General

Product Family	RF/Coax Connectors
Series	73416
Overview	7/16 DIN Connectors
Product Name	7/16 DIN
Style	Cable
UPC	756054717387
Wire/Cable Type	RG-213, RG-8

Physical

Gender	Plug
Keying to Mating Part	None
Orientation	Straight
PCB Mounting	N/A
Packaging Type	Bag
Panel Mount	No
Panel Mount Method	N/A
Reverse Polar	No

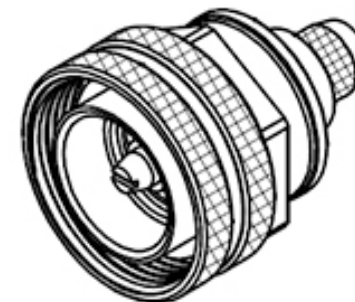
Electrical

Impedance	50#
-----------	-----

Material Info

Reference - Drawing Numbers

Sales Drawing	SD-73416-003
---------------	--------------



Series image - Reference only

EU ELV

Not Reviewed

EU RoHS

Not Reviewed

REACH SVHC

Not Reviewed

Halogen-Free

Status

Not Reviewed

Need more information on product environmental compliance?

Email productcompliance@molex.com
Please visit the [Contact Us](#) section for any non-product compliance questions.

China ROHS

Not Reviewed

ELV

Not Reviewed

Search Parts in this Series

[73416 Series](#)

PLEASE CHECK WWW.MOLEX.COM FOR LATEST PART INFORMATION