

Protection in Portable Electronics Applications.

FEATURES

- ESD Protection: IEC 61000-4-2 Level 4.
MILSTD883C-Method 3015-6:Class 3
- Four separate unidirectional configurations for protection
- Low leakage current <math><1 \mu\text{A}</math> @3Volts
- Low capacitance
- Complies to USB 1.1 low speed & high speed specifications

APPLICATIONS

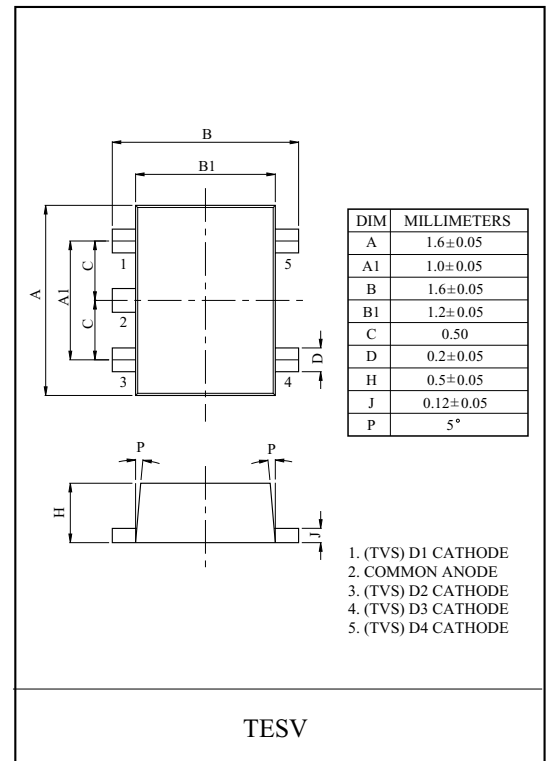
- Cell phone handsets and accessories.
- Cordless phones.
- Personal digital assistants (PDA s)
- Notebooks, desktopsPC, & servers.
- Portable instrumentation.
- Set-Top Box, DVD Player.
- Digital Camera.

MAXIMUM RATING (Ta=25)

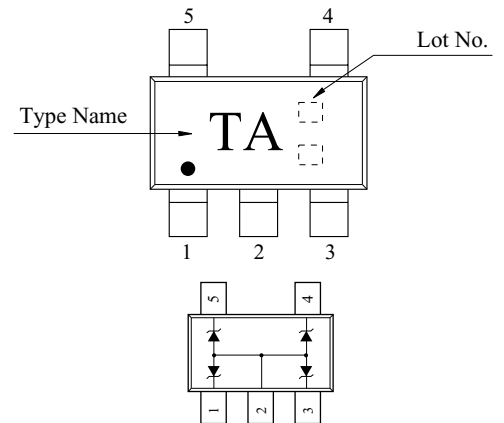
CHARACTERISTIC	SYMBOL	RATING	UNIT
Peak Pulse Power (tp=8/20 μs)	P _{PK}	20	W
Peak Pulse Current (tp=8/20 μs)	I _{PP}	1.6	A
Operating Temperature	T _j	-55 150	
Storage Temperature	T _{stg}	-55 150	

ELECTRICAL CHARACTERISTICS (Ta=25)

CHARACTERISTIC	SYMBOL	TEST CONDITION	MIN.	TYP.	MAX.	UNIT
Reverse Stand-Off Voltage	V _{RWM}	-	-	-	3.3	V
Reverse Breakdown Voltage	V _{BR}	I _t =1mA	5.3	-	5.9	V
Reverse Leakage Current	I _R	V _{RWM} =3V	-	-	1	μA
Clamping Voltage	V _C	I _{PP} =1.6A, tp=8/20 μs	-	-	13	V
Junction Capacitance	C _J	V _R =0V, f=1MHz	-	13	17	pF
		V _R =3.0V, f=1MHz	-	7.0	11.5	

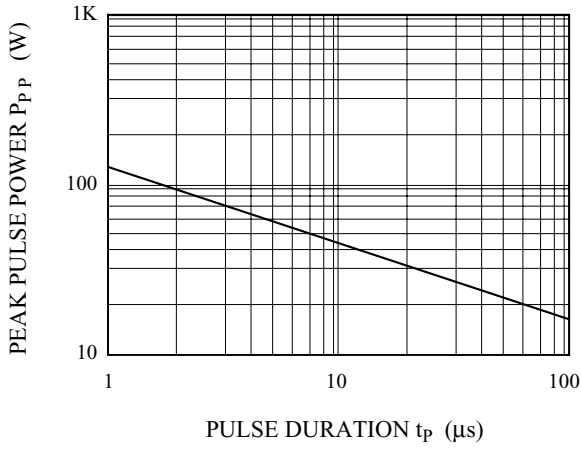


Marking

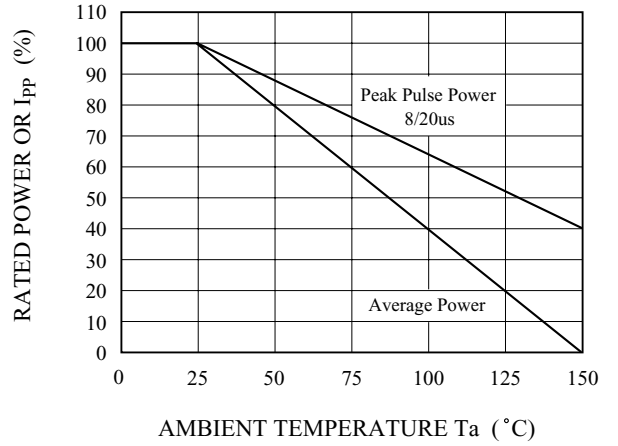


PG03DXTEV

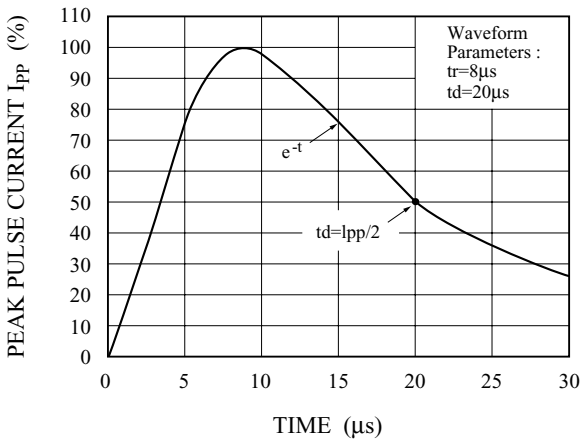
NON-REPETITIVE PEAK PULSE
POWER VS. PULSE TIME



POWER DERATION CURVE



PULSE WAVEFORM



$C_J - V_R$

