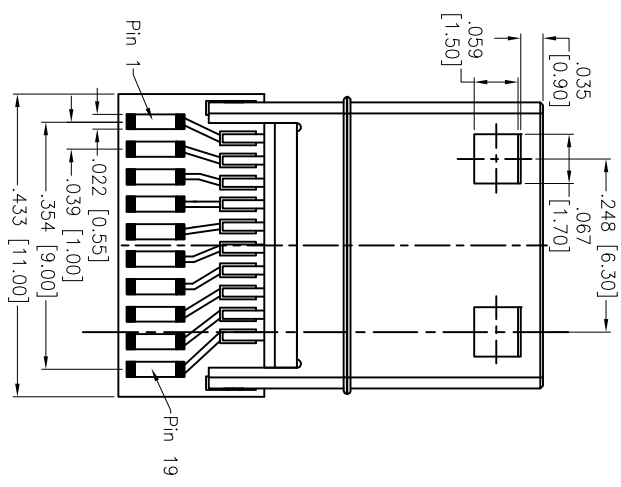
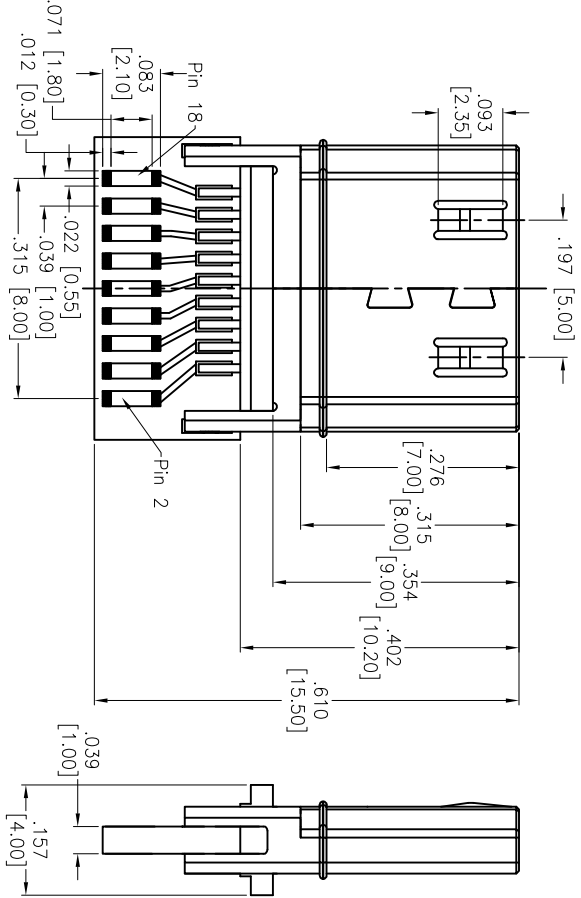
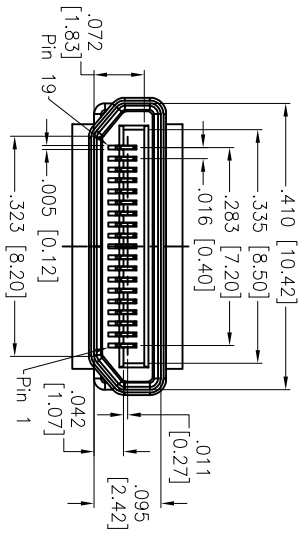


Rev	AWO #	Description	Date	Appr
-		RELEASED	08/05/12	

APPROVED: _____
 DATE: _____ TITLE: _____



SPECIFICATIONS:
 Material: Insulator: Hi-Temp Thermoplastic, rated UL94V-0
 Insulator color: Black
 Contact: Phosphor Bronze
 Shell: Copper Alloy, Nickel plated
 Plating: Gold over Nickel underplate in contact area, Tin over Copper underplate on solder tails

Electrical:
 Operating voltage: 40 VAC max
 Current rating: 0.5 Amps max.
 Contact resistance: 30 mOhms max.
 Insulation Resistance: Unmated: 100 mOhms min @ 500 VDC
 Mated: 10 mOhms min @ 150 VDC

Environmental:
 Dielectric withstanding voltage: 500 VAC for 1 minute.
 Temperature Rating: Operating temperature: -25°C to +85°C
 Lead free, RoHS Compliant

ADAM TECH
 909 Rahway Avenue, Union, NJ 07083
 Phone: 908-687-5000 Fax: 908-687-5710

UNLESS OTHERWISE SPECIFIED ALL DIMENSIONS ARE INCHES [MM] TOLERANCES EXCEPT AS NOTED	
INCHES	HOLES
.X ± .10	ØX ± .10
.XX ± .020	ØXXX ± .015
.XXX ± .015	ØXXX ± .010
APPROVALS	DATE
DRAWN TW	06/05/12
CHECKED AY	06/05/12
APPROVED	

REF: S00167T	SCALE: NTS	SHEET 1 OF 1
SIZE X	PART NO. MHDML-PLUG-0M	REV. -
TITLE: MINI HDMI MALE CONNECTOR, SOLDER TYPE MALE, OVER MOLDING TYPE		

