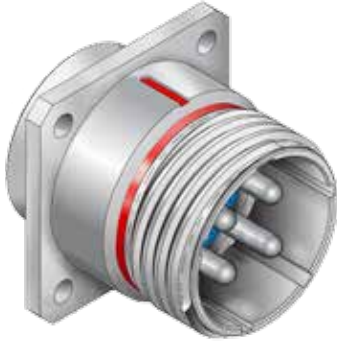


Series 970 PowerTrip™ Connectors and Accessories
Receptacle Connectors
970-009 Low Profile Square Flange Receptacle



970-009 LOW PROFILE SQUARE FLANGE RECEPTACLES



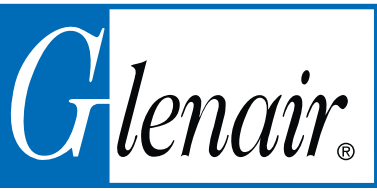
970-009 receptacles have a shorter profile than standard square flange receptacles. This reduced protrusion behind the mounting panel results from removing the accessory threads, moving the mounting flange and replacing the grommet wire seal with a thinner wire separator. Series 970 PowerTrip™ extreme environment receptacle connectors are intended for high current applications where size 8 AWG to size 1/0 AWG wires are used. These connectors feature high current LouverBand contacts. Coupling threads are triple-start ACME type. EMI protected with ground spring and splined backshell interface. Standard contacts are silver plated high conductivity copper alloy, or choose gold-plated contacts for improved corrosion protection. Contacts are packaged with connector. Red stripe indicates full mating condition when the plug connector coupling ring fully covers the stripe.

970-009 connectors have a low profile wire separator instead of a thick watertight rear grommet. These connectors are splashproof but are not rated for water immersion or altitude immersion.

HOW TO ORDER

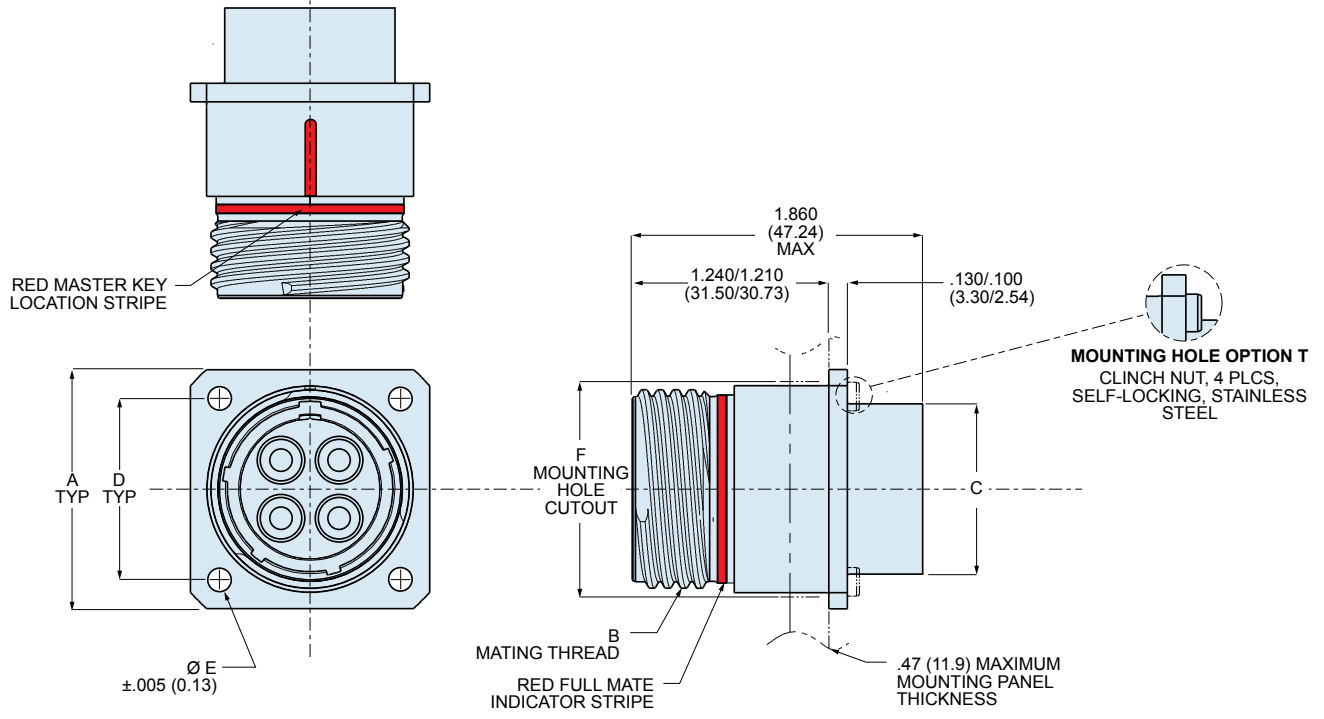
SERIES	SHELL MATL AND FINISH	SHELL SIZE - INSERT ARRANGEMENT						CONTACT TYPE AND PLATING	MOUNTING HOLE OPTION	KEY POSITION
970-009 Low Profile Square Flange Panel Mount Receptacle with Crimp Contacts	ME Aluminum, Electroless Nickel Finish	Contact Arr.						P1 Pin Contacts, Silver Plating*	N Thru-Hole	-1 Position 1
		Contact Size and Qty								
	MT Aluminum, Nickel-PTFE Finish	#16	#12	#8	#4	#1/0		P2 Pin Contacts, Gold Plating	T Clinch Nuts Installed in Mounting Holes for Back Panel Mounting.	-2 Position 2
		18-2		2						
		18-4	2	2						
		20-3		3						
		20-4		4						
		20-5		2	3					
		20-7	4	3						
		24-2				2				
		24-3				3				
		24-5			5					
	NF Aluminum, Olive Drab Cadmium	24-6	4		2			S1 Socket Contacts, Silver Plating*	-3 Position 3	
		24-A6	3		3					
		28-4			4					
		28-8		1	7					
	ZR Aluminum, Black Zinc-Nickel Finish	28-9	5		4			S2 Socket Contacts, Gold Plating	-4 Position 4	
		28-15	15							
		32-2				2				
		32-3				3				
32-4					2	2				
32-5					5					
Z1 Passivated Stainless Steel	32-6		3		3		A Pin Connector, without Contacts	-5 Position 5		
	32-20	1	19							
	36-4				4					
	36-16	3		13						
	40-5				5					
	40-21			21						
Sample Part Number										
970-009	MT	24-5						P1	N	-1

* Size 12 and 16 contacts are gold-plated. Size 8, 4 and 1/0 are silver plated.



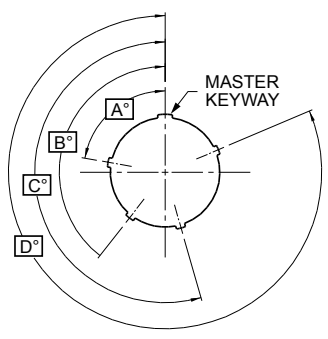
Series 970 PowerTrip™ Connectors and Accessories
Receptacle Connectors
 970-009 Low Profile Square Flange Receptacle

970-009 LOW PROFILE RECEPTACLE



D

DIMENSIONS												
Shell Size	A		B Mating Thread	C		D		Ø E		E Clinch Nut Thd	Ø F	
	In.	mm.		In.	mm.	In.	mm.	In.	mm.		In.	mm.
18	1.383	35.13	1.125-.1P-.3L-TS-2A	.972	24.69	1.015	25.78	.146	3.71	6-32 UNC-2B	1.187	30.15
20	1.508	38.30	1.250-.1P-.3L-TS-2A	1.116	28.35	1.140	28.96	.146	3.71	6-32 UNC-2B	1.374	34.90
24	1.718	43.64	1.500-.1P-.3L-TS-2A	1.300	33.02	1.281	32.54	.146	3.71	6-32 UNC-2B	1.562	39.67
28	2.138	54.31	1.750-.1P-.3L-TS-2A	1.604	40.74	1.568	39.83	.170	4.32	8-32 UNC-2B	1.835	46.61
32	2.328	59.13	2.000-.1P-.3L-TS-2A	1.875	47.63	1.734	44.04	.170	4.32	8-32 UNC-2B	2.093	53.16
36	2.578	65.48	2.250-.1P-.3L-TS-2A	2.093	53.16	1.984	50.39	.170	4.32	8-32 UNC-2B	2.302	58.47
40	2.828	71.83	2.500-.1P-.3L-TS-2A	2.310	58.67	2.234	56.74	.170	4.32	8-32 UNC-2B	2.562	65.07



KEY POSITIONS				
Position	A°	B°	C°	D°
1	80	142	196	293
2	135	170	200	310
3	49	169	200	244
4	66	140	200	257
5	62	145	180	280
6	79	153	197	272