



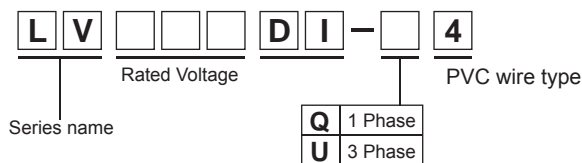
Features

- SPD with a fail safe function to prevent short-circuit (separation of circuit and element is visually confirmable)
- Compliance with IEC 61643-1 that meets the new JIS standards
- Against indirect lightning surge for single phase / three phase power supplies
- Quick response for surge
- Impulse current capacity 8/20 μ s-5,000A
- Impulse test category: Class II (Type II)
- Every pathway consists of same elements. Between line and line/between lines and ground can protect as the same level.

Applications

- Tapping machine, NC machine, other machine tools
- Lithography equipment, Washing device, IC tester
- Injection molding machine, Winding machine, Surface mounter
- Vehicle air conditioner
- Servo amplifier
- Electric facility, Industrial equipment

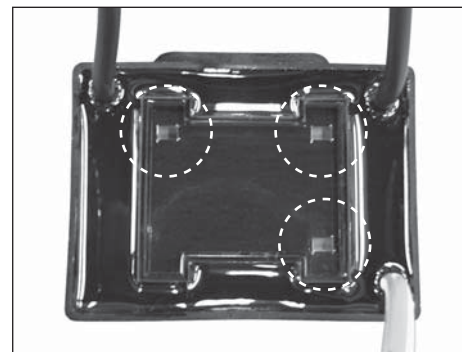
- Model numbering system



| Safety Standard | | File No. |
|-----------------|-----------------------|----------|
| UL | :UL1449 | E322107 |
| cUL | :C22.2 No.8 | |
| SEMKO | :IEC61643-1:2005 2nd | SE-57200 |
| | :EN61643-11:2002 +A11 | 815201 |



- Action indication



Status

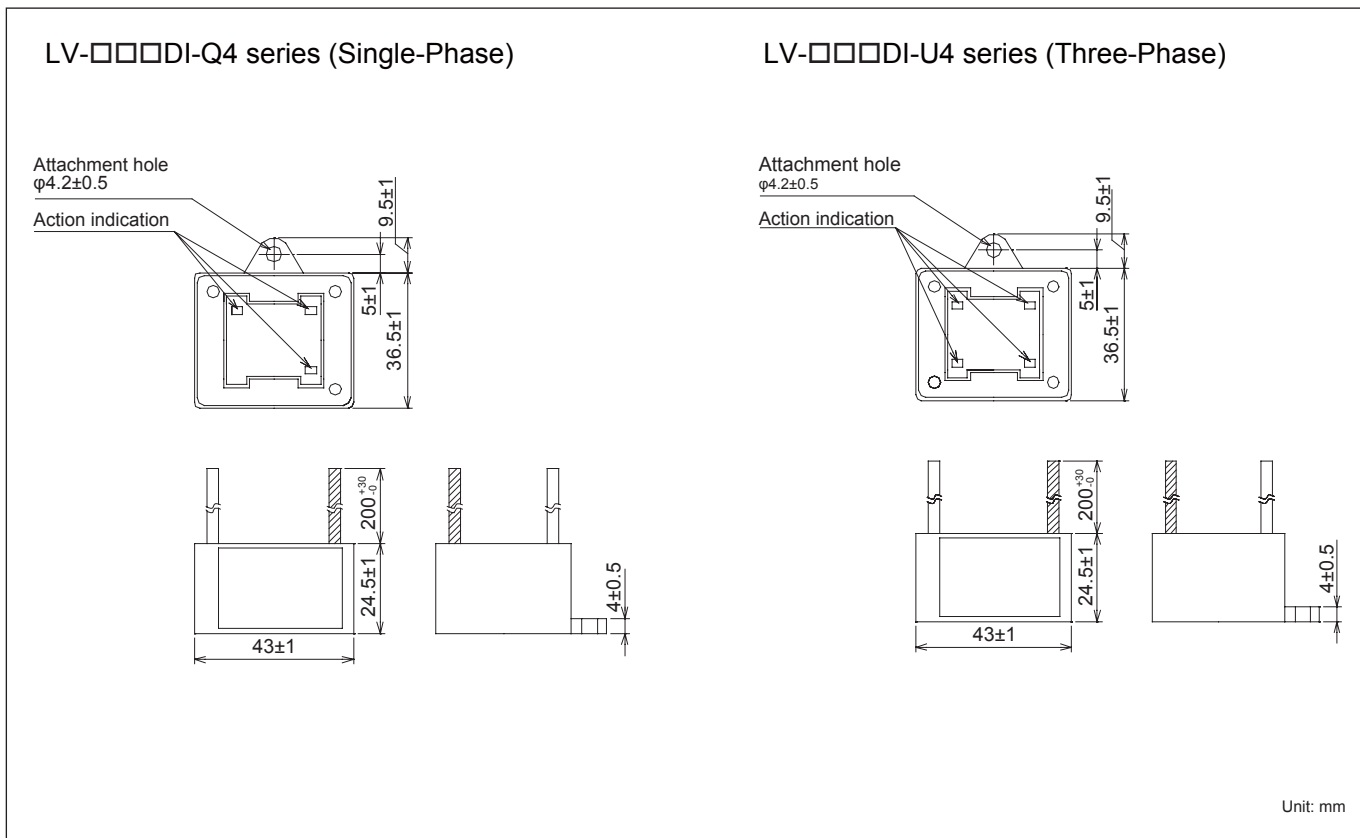
Green: Normal
No Green: Abnormal

Electrical Specifications

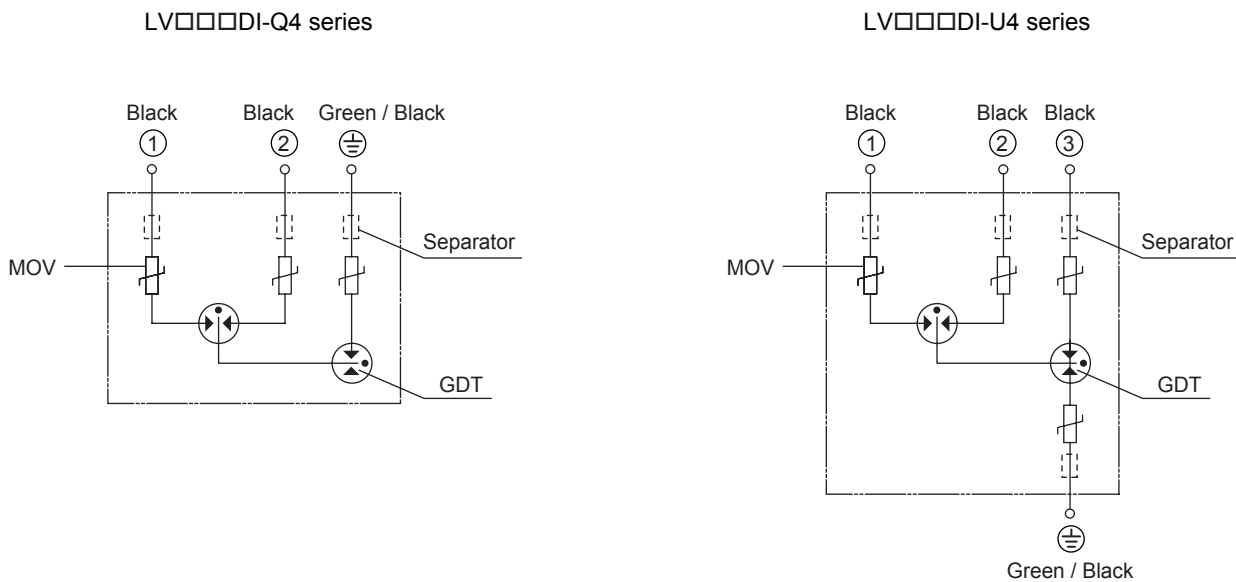
| Safety Standard | Model Number | Rated Voltage 50/60Hz | | DC Breakdown Voltage (V) | Voltage Protection Level (V) | Normal Discharge Current 8/20 μ s (A) | Max. Discharge Current 8/20 μ s (A) | Surge Current Life 8/20 μ s-1,000A |
|-----------------|--------------|-----------------------|--------|--------------------------|------------------------------|---|---|--|
| | LV150DI-Q4 | Single Phase | AC150V | 450 \pm 25% | 1,200 | 2,500 | 5,000 | Approx. 500 times |
| | LV275DI-Q4 | Single Phase | AC275V | 800 \pm 25% | 1,500 | | | |
| | LV275DI-U4 | Three Phase | | | | | | |
| | LV480DI-Q4 | Single Phase | AC480V | 1,400 \pm 25% | 2,000 | | | |
| | LV480DI-U4 | Three Phase | | | | | | |
| | LV550DI-U4 | Three Phase | AC550V | 1,600 \pm 25% | 2,500 | | | |



• Dimensions



• Circuit



* There is no problem even if the connecting cable (Black) is connected with every parts.