

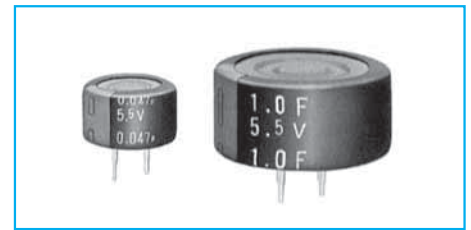
5.5V Wide Temperature Range Capacitors

GREEN CAP

85°C

- It is a category temperature range larger than battery.
- $\phi 13.5$ size can encase up to 0.22F, $\phi 21.5$ size can encase up to 1.0F.
- It excels in rapid charge.
- Ideal for backing up of CMOS IC's, microcomputers, RAM's, RTC's for smart meter, outdoor equipment, auto motive and industrial.

Wide temperature range



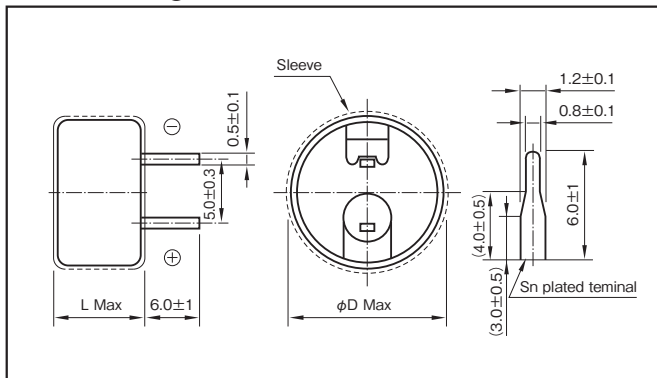
Marking color : White print on an indigo sleeve

Specifications

| Item | Performance | | | | | | | |
|---|---|--|-----|------|------|------|-----|--|
| Category temperature range (°C) | -40 to +85 | | | | | | | |
| Tolerance at rated capacitance (%) | -20 to +80 | | | | | | | |
| Internal resistance at 1 kHz | Rated capacitance (F) | 0.047 | 0.1 | 0.22 | 0.47 | 0.68 | 1.0 | |
| | Internal resistance (Ω) | 40 | 40 | 40 | 20 | 20 | 20 | |
| Characteristics at high and low temperature | Percentage of capacitance change | Within $\pm 30\%$ of the value at 20°C | | | | | | |
| | Internal resistance | -40°C : Less than seven times of the value at 20°C 85°C : Less than five times of the value at 20°C | | | | | | |
| Endurance (85°C) | Test time | 1000 hours | | | | | | |
| | Percentage of capacitance change | Within $\pm 30\%$ of the initial measured value | | | | | | |
| | Internal resistance | Less than four times of the initial specified value | | | | | | |
| Shelf life (85°C) | Test time : 1000 hours ; Same as endurance. | | | | | | | |
| Applicable standards | Conforms to JIS C5160-1 2009 (IEC 62391-1 2006) | | | | | | | |

Outline Drawing

Unit : mm



Part numbering system (example : 6.3V0.1F)

| | | | | | |
|-------------|---|----------------------|---------------|--------------------------|---|
| DHL | — | 5R5 | D | 104 | T |
| Series code | | Rated voltage symbol | Terminal code | Rated capacitance symbol | |

Part number is refer to below table.

Standard Ratings

| Max. operating voltage (V) | Rated capacitance (F) | ELNA Parts No. | $\phi D \times L$ (mm) |
|----------------------------|-----------------------|----------------|------------------------|
| 5.5 | 0.047 | DHL-5R5D473T | 13.5×9.5 |
| 5.5 | 0.1 | DHL-5R5D104T | 13.5×9.5 |
| 5.5 | 0.22 | DHL-5R5D224T | 13.5×9.5 |
| 5.5 | 0.47 | DHL-5R5D474T | 21.5×9.5 |
| 5.5 | 0.68 | DHL-5R5D684T | 21.5×9.5 |
| 5.5 | 1.0 | DHL-5R5D105T | 21.5×9.5 |

NOTE

Design, Specifications are subject to change without notice.
Ask factory for technical specifications before purchase and/or use.