

MICRO SWITCH
a Honeywell Division

FED. MFG. CODE 91 929

SWITCH-BASIC

CATALOG LISTING

V7-3S17D8-048

CW-B8692

CATALOG LISTING
V7-3S17D8-048
PAGE 1 OF 1

ISSUE
M

5

REPLACES

RELEASE NO. PR-19178

CHECK

CHECK

20 MAY 91

J C

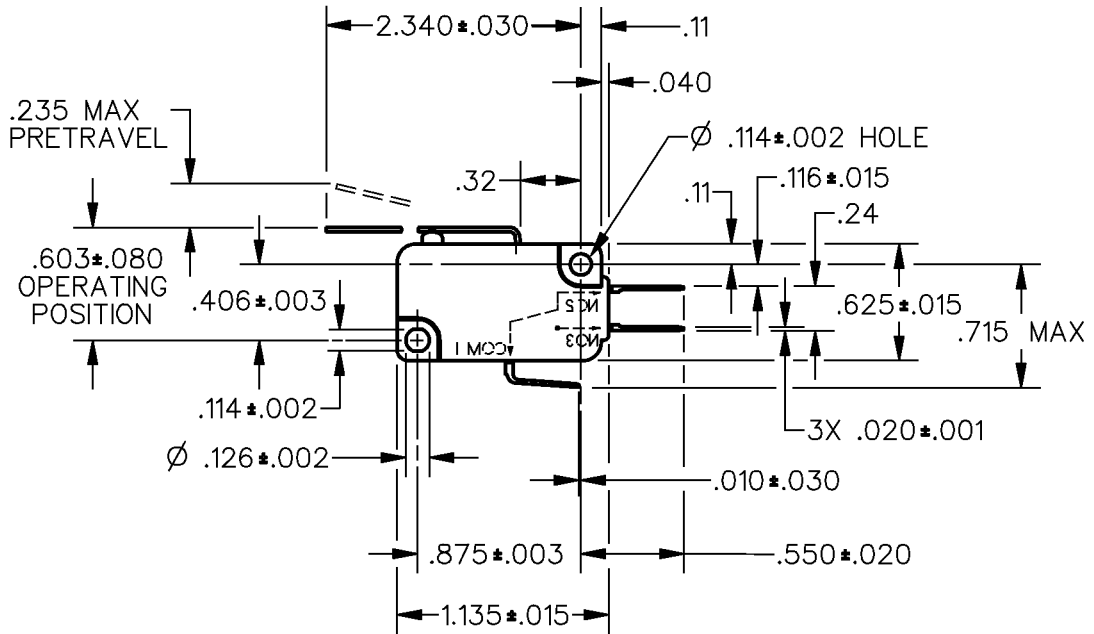
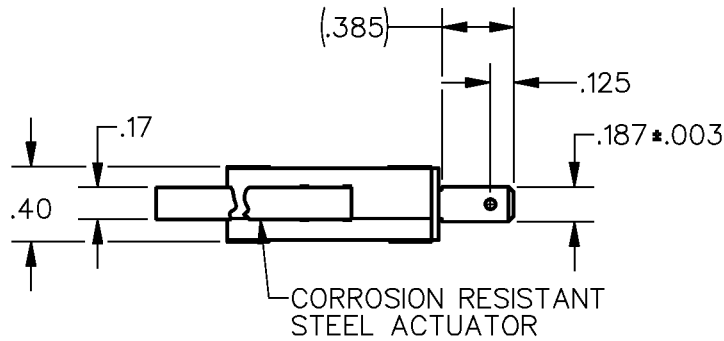
W J C

CHECK

14 MAY 91

J A L

DRAWN



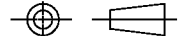
NOTES

- 1 - IN INSPECTION, DO NOT BURN OUT - GOLD CONTACTS
- 2 - IN INSPECTION, DO NOT EXCEED 10 VDC, .1A RESISTIVE LOAD

ANSI Y14.5M-1982 APPLIES

THIS DRAWING COVERS A PROPRIETARY ITEM AND IS THE PROPERTY OF MICRO SWITCH, A DIVISION OF HONEYWELL. THIS DRAWING IS NOT TO BE COPIED OR USED WITHOUT THE APPROVAL OF MICRO SWITCH.

THIRD ANGLE PROJECTION



CHARACTERISTICS	ELECTRICAL DATA	SCALE FULL	DO NOT SCALE PRINT
OPERATING FORCE — — — 16 GRAMS MAX	CONTACT ARRANGEMENT S P D T	UNLESS OTHERWISE SPECIFIED TOLERANCES ARE ONE PLACE (.0) ± .030 TWO PLACE (.00) ± .015 THREE PLACE (.000) ± .005 ANGLES ± WEIGHT	
RELEASE FORCE — — — 1/2 GRAM MIN	L142 0.1A 125 VAC		
DIFFERENTIAL TRAVEL — — — .050 MAX			
OVERTRAVEL — — — .118 MIN			
RELEASE TRAVEL — — — .030 MIN			



FORMTEK