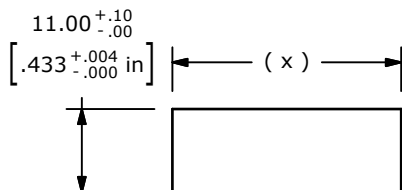
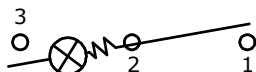
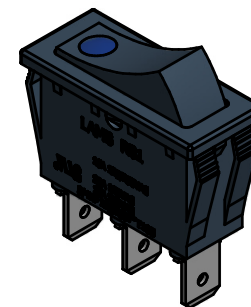
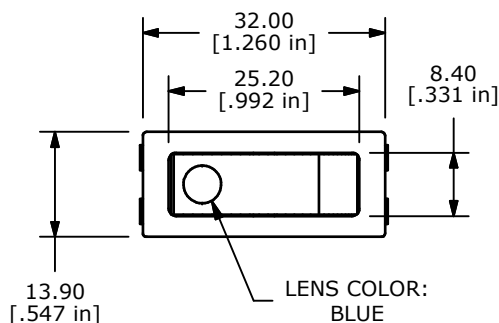


SWITCH FUNCTION	
POS. 1	POS. 2
OFF	ON
OPEN	2-1, 2-3



PANEL CUTOUT

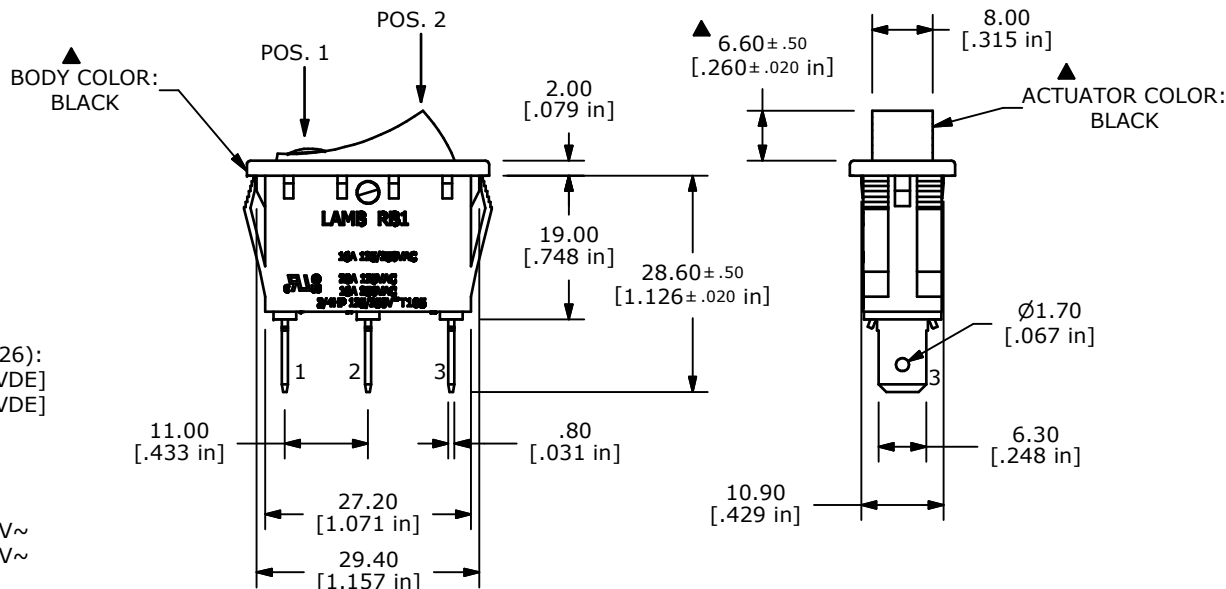
PANEL THICKNESS	(x)	TOLERANCE
0.75 - 1.25	30.0	+/- 0.1



CIRCUIT: SPST

NOTE:

1. DIMENSIONS IN MM [INCH]
2. GENERAL TOLERANCE: X.X = ± 0.4
X.XX = ± 0.25
3. TERMINAL NUMBERS FOR REF ONLY
4. CONTACT MATERIAL: SILVER
5. CONTACT RATINGS:
ANSI/UL 1054 AND CAN/CSA C22.2 NO.55 (E194579):
20A @ 125VAC [cURus]
16A @ 250VAC [cURus]
3/4HP 125/250VAC [cURus]
EN 61058-1:2002 AND DIN/VDE 0630:2003-03(40017926):
16(4)A 250V~ 1E4 μ T85/55 [ENEC10, VDE]
10(2)A 250V~ 5E4 μ T85/55 [ENEC10, VDE]
6. CONTACT RESISTANCE: 20mΩ MAX. INITIAL
7. INSULATION RESISTANCE: 100MΩ MIN. @ 500VDC
8. DIELECTRIC STRENGTH: 1,000VAC FOR 1 MINUTE
9. ELECTRICAL LIFE: 6,000 CYCLES [cURus]
10,000 CYCLES [ENEC10, VDE] 16(4)A 250V~
50,000 CYCLES [ENEC10, VDE] 10(2)A 250V~
10. OPERATING TEMPERATURE: -20°C TO 55°C [cURus]
-20°C TO 85°C [ENEC10, VDE]
11. ▲ DENOTES CRITICAL PARAMETER
12. 2002/95/EC (ROHS) COMPLIANT
13. ILLUMINATION: NEON LAMP
- ▲14. ILLUMINATION VOLTAGE: 125V



TITLE RB141D1100-246

A	21226	RELEASE FOR PRODUCTION	9/5/13	EBP
REV	PCR NO	DESCRIPTION	DATE	BY

SCALE	DATE	DR	DWG	REV
	9/5/2013	EBP	14-RB141D1100246	A

THE INFORMATION CONTAINED IN THIS DOCUMENT IS PROPRIETARY TO E-SWITCH AND IS NOT TO BE COPIED OR TRANSFERRED