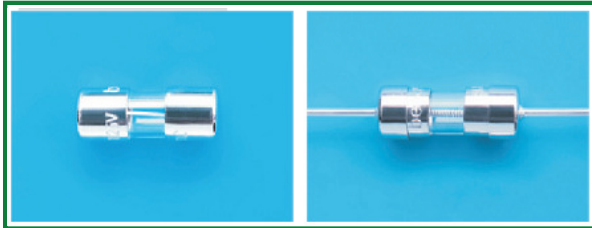


## Type 2JQ / 3JQ Quick Acting Fuse Series

5 x 15mm Glass Tube  
RoHS 6 Compliant

HF 2JQ / 3JQ Series, 5 x 15mm Quick Acting Fuse



### Description

5x15 mm Quick Acting, glass tube body cartridge fuse designed, approved and complied with UL and CSA standard 248-14.

### Electrical Characteristics (UL / CSA STD.248-14)

Testing current	Blow Time	
	Minimum	Maximum
100%	4 hrs	N/A
135%	N/A	1 hr
200%	N/A	1 sec

### Features

- Meet UL and CSA standard 248-14
- Wide operating temperature range
- Bulk and Tape & Reel packing available
- RoHS6 compliant
- Halogen Free
- Leadfree

### Applications

Provide individual protection for components or internal circuits.

- Power Supplies
- Battery charger
- Monitor
- Adapter

LEAD FREE =

HALOGEN FREE =

### Safety Agency Approvals

SAFETY AGENCY	SAFETY AGENCY CERTIFICATE NUMBER	AMPERE RANGE / VOLT @ I.R.ABILITY
	E20624	100mA - 7A / 350V AC @100A 100mA - 7A / 140V DC @150A
	LR39772	100mA - 7A / 350V AC @100A
	JET 1037-31003-1010 JET 1037-31003-1011	1A - 5A / 125V AC @500A
	JET 1037-31003-1007	>5A - 15A / 125V AC @300A
		100mA - 7A / 350V AC @100A 100mA - 7A / 140V DC @150A

Specifications Subject to change without notice.

# Type 2JQ / 3JQ

## Quick Acting Fuse Series

5 x 15 mm Glass Tube  
RoHS 6 Compliant



# bel

JQ May 2012D

### Electrical Specifications

Catalog Number	Ampere Rating	Typical Cold Resistance (ohm)	Volt-drop @100% In (Volt) Max.	Voltage Rating (V)	Interrupting Rating	Melting I <sub>2</sub> T <10 m Sec (A <sup>2</sup> Sec)	Melting I <sub>2</sub> T @ 10 In (A <sup>2</sup> Sec)	Maximum Power Dissipation (W)	Agency Approvals				
JQ 100-R	100mA	6.14	2.10	350	100mA - 7A / 350V AC @100A	0.00097	0.0010	0.029	Y	Y		Y	
JQ 125-R	125mA	4.29	2.05	350		0.0019	0.0020	0.035	Y	Y		Y	
JQ 150-R	150mA	3.35	1.90	350		0.004	0.004	0.041	Y	Y		Y	
JQ 200-R	200mA	2.01	1.70	350		0.007	0.008	0.048	Y	Y		Y	
JQ 250-R	250mA	1.54	1.62	350		0.014	0.015	0.057	Y	Y		Y	
JQ 300-R	300mA	1.18	1.44	350		0.026	0.029	0.067	Y	Y		Y	
JQ 350-R	350mA	0.98	1.50	350		0.036	0.040	0.072	Y	Y		Y	
JQ 400-R	400mA	0.46	0.60	350		0.05	0.06	0.079	Y	Y		Y	
JQ 500-R	500mA	0.33	0.55	350		0.10	0.11	0.092	Y	Y		Y	
JQ 600-R	600mA	0.26	0.48	350		0.14	0.16	0.10	Y	Y		Y	
JQ 750-R	750mA	0.188	0.45	350		0.26	0.30	0.12	Y	Y		Y	
JQ 800-R	800mA	0.170	0.40	350		0.27	0.27	0.17	Y	Y		Y	
JQ 1-R	1A	0.112	0.40	350		100mA - 7A / 140V DC @150A	0.62	0.65	0.21	Y	Y	Y	Y
JQ 1.25-R	1.25A	0.068	0.17	350			0.80	0.82	0.26	Y	Y	Y	Y
JQ 1.5-R	1.5A	0.056	0.16	350			1.4	1.4	0.32	Y	Y	Y	Y
JQ 1.6-R	1.6A	0.054	0.13	350			1.8	1.9	0.35	Y	Y	Y	Y
JQ 2-R	2A	0.041	0.16	350			2.3	2.5	0.39	Y	Y	Y	Y
JQ 2.5-R	2.5A	0.033	0.15	350	4.0		4.3	0.48	Y	Y	Y	Y	
JQ 3-R	3A	0.027	0.15	350	4.6		5.6	0.59	Y	Y	Y	Y	
JQ 3.5-R	3.5A	0.022	0.14	350	9		10	0.66	Y	Y	Y	Y	
JQ 4-R	4A	0.019	0.14	350	12		13	0.73	Y	Y	Y	Y	
JQ 5-R	5A	0.015	0.13	350	20		23	0.9	Y	Y	Y	Y	
JQ 6-R	6A	0.012	0.13	350	35	40	1.1	Y	Y	Y	Y		
JQ 7-R	7A	0.010	0.12	350	46	53	1.2	Y	Y	Y	Y		

Consult manufacturer for other ratings

**CORPORATE OFFICE**  
Bel Fuse Inc.  
206 Van Vorst Street  
Jersey City, NJ 07302  
Tel 201-432-0463  
Fax 201-432-9542  
E-Mail: belfuse@belf.com  
Website: www.belfuse.com

**FAR EAST OFFICE**  
Bel Fuse Ltd.  
8/F Luk Hop Industrial Building  
8 Luk Hop Street  
San Po Kong  
Kowloon, Hong Kong  
Tel 852-2328-5515  
Fax 852-2352-3706

**EUROPE OFFICE**  
Bel Fuse Europe Ltd.  
Preston Technology Management Centre  
Marsh Lane, Suite F15  
Preston, Lancashire, PR1 8UQ  
United Kingdom  
Tel 44-1772-556601  
Fax 44-1772-561008

**EUROPE**  
Bel Stewart GmbH  
Industriestrasse 20  
61381 Friedrichsdorf  
Germany  
Tel 49-6172-9552-0  
Fax 49-6172-9552-40

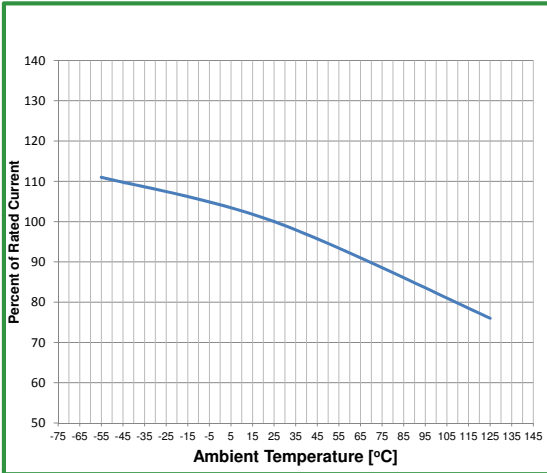
# Type 2JQ / 3JQ Quick Acting Fuse Series

5 x 15 mm Glass Tube  
RoHS 6 Compliant

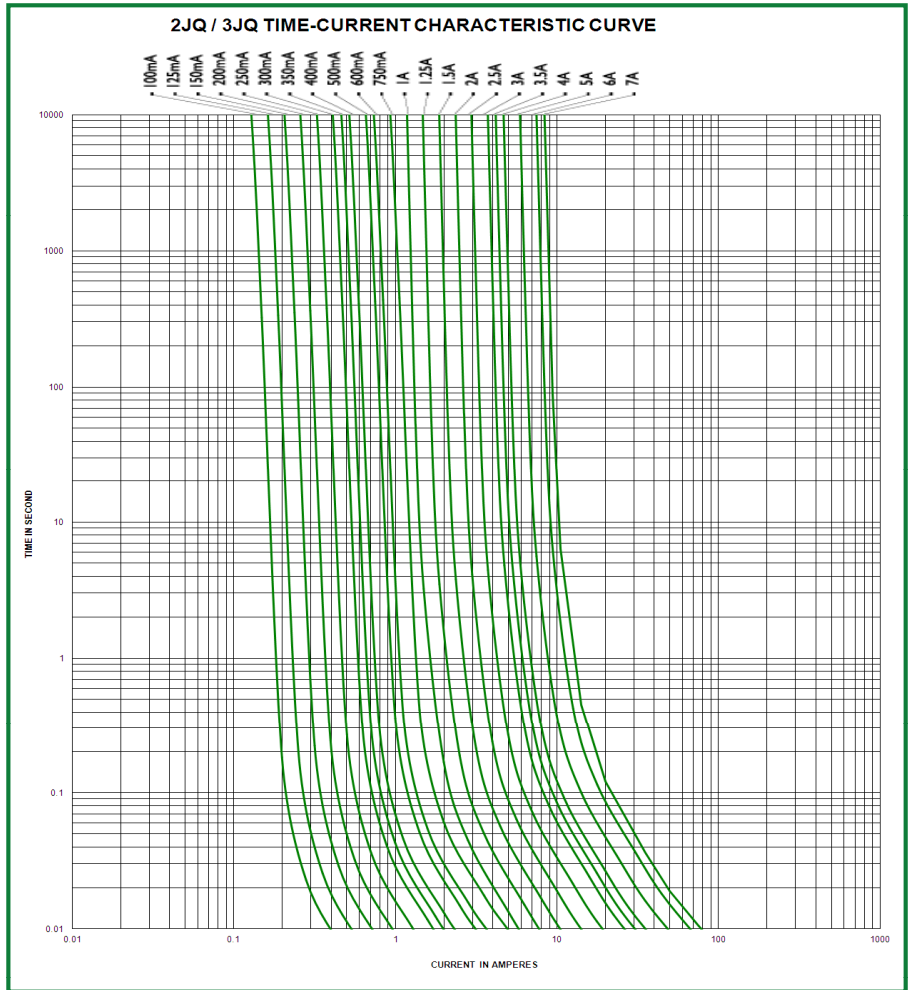


JQ May2012C

## Temperature Derating Curve

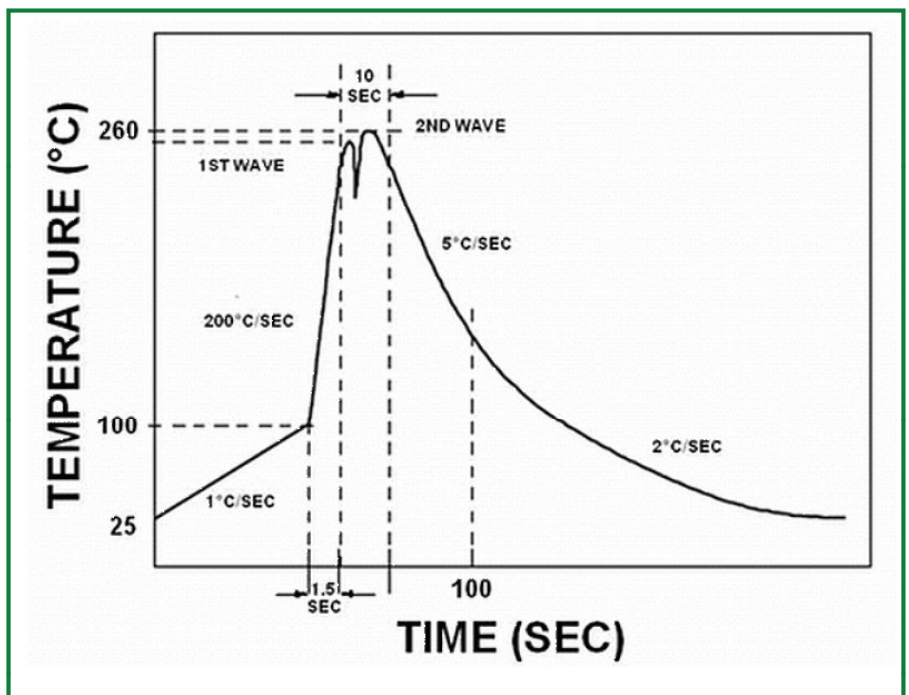


## Average Time Current Curve



## Soldering Parameters

Lead-free Wave Soldering Profile	
Wave Soldering Parameter	
Average ramp-up rate	200°C/second
Heating rate during preheat	typical 1 - 2 °C/second Max. 4°C/second
Final preheat temperature	within 125°C of soldering temperature
Peak temperature T <sub>p</sub>	260°C
Time within +0 °C / -5°C of actual peak temperature	10 seconds
Ramp-down rate	5 °C / second max.



# Type 2JQ / 3JQ Quick Acting Fuse Series

5 x 15 mm Glass Tube  
RoHS 6 Compliant



JQ May2012D

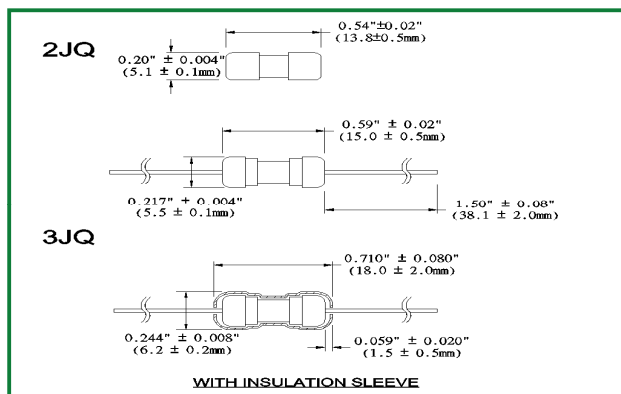
## Physical Specifications

<b>Materials</b>	Body : Glass
	Cap : Nickel Plated Brass Caps
	Leads: Matte Tin Plated Copper
<b>Marking</b>	On Fuse:
	"bel" , "JQ" , " Current Rating", "Voltage Rating",
	"Appropriate Safety Logos", "  "(RoHS 6 compliant)
	On label:
	"bel" , "2JQ", or "3JQ", "Current Rating", "Voltage Rating", "Interrupting Rating", "Appropriate Safety Logos" and "  " (China RoHS compliant).

## Environmental Specifications

<b>Shock Resistance</b>	MIL-STD-202G, Method 213B, Test Condition I (100 G's peak for 6 milliseconds; Sawtooth Waveform)
<b>Vibration Resistance</b>	MIL-STD-202G, Method 201A (10-55 Hz, 0.06 inch, total excursion).
<b>Salt Spray Resistance</b>	MIL-STD-202G, Method 101E, Test condition B (48 hrs).
<b>Insulation Resistance</b>	MIL-STD-202G, Method 302, Test Condition A (After Opening) 10,000 ohms minimum.
<b>Solderability</b>	MIL-STD-202G, Method 208H
<b>Resistance to solder Heat</b>	MIL-STD-202G Method 210F, Test Condition B. (260+/-5 °C, 10+/- 1 sec)
<b>Thermal Shock</b>	MIL-STD-202G, Method 107G, Test Condition B (-65 °C to +125 °C).
<b>Operating Temperature</b>	-55 °C to +125 °C
<b>Terminal Strength</b>	IEC-68-2-21

## Mechanical Dimensions



\* Diameter lead 0.032" for all ratings

## Ordering Information

<b>FUSE TYPE</b>	0657 R XXXX - X X
0657	
<b>R = RoHS Compliant</b>	
<b>AMPERE RATING</b>	Refer to fuse FGNO explanation table
<b>PIGTAIL CODE</b>	0 = No pigtail ( 2JQ) 1 = Standard (axial leaded) 4 = Axial leaded with with insulation sleeve
<b>QUANTITY &amp; PACKAGING CODE</b>	1 = 200 pcs / Bulk bag, 2K / Box ,Cartridge Type Fuse = 500 pcs/ Bulk bag / box, Pigtail Type Fuse 2 = 1500 pcs / Reel, Tape and Reel

Specifications subject to change without notice

## Packaging

Packaging Option	Packaging Specification	Quantity	Packaging Code	Inside Tape Spacing
Bulk (bag)	N/A	200	01	N/A
Bulk (Pigtail Type)	N/A	500	11	N/A
Bulk (Pigtail Type) with Insulation Sleeve	N/A	500	41	N/A
Tape & Reel, 10 mm Pitch	EIA-296-F	1500	12	53
Tape & Reel with Insulation Sleeve, 10 mm Pitch	EIA-296-F	1500	42	53

## CORPORATE OFFICE

**Bel Fuse Inc.**  
206 Van Vorst Street  
Jersey City, NJ 07302  
Tel 201-432-0463  
Fax 201-432-9542  
E-Mail: belfuse@belf.com  
Website: www. belfuse.com

## FAR EAST OFFICE

**Bel Fuse Ltd.**  
8/F Luk Hop Industrial Building  
8 Luk Hop Street  
San Po Kong  
Kowloon, Hong Kong  
Tel 852-2328-5515  
Fax 852-2352-3706

## EUROPE OFFICE

**Bel Fuse Europe Ltd.**  
Preston Technology Management Centre  
Marsh Lane, Suite F15  
Preston, Lancashire, PR1 8UQ  
United Kingdom  
Tel 44-1772-556601  
Fax 44-1772-561008

## EUROPE

**Bel Stewart GmbH**  
Industriestrasse 20  
61381 Friedrichsdorf  
Germany  
Tel 49-6172-9552-0  
Fax 49-6172-9552-40