

237-033

Jam Nut Mount Hermetic with Double O-Rings Plug/Receptacle Bulkhead Feedthrough for MIL-DTL-38999 Series III Type

MIL-DTL-38999 Type
Hermetic Connectors

B

TABLE I: Shell Size, Thread and Connector Dimensions (Continued Below)

Shell Size Code	Shell Size	A Thread -0.1P-0.03L-TS	B Dia	D Flat	E Dia	F Dia	G Thread ISO Metric x 1.0-6g
A	9	.6250	1.270/1.260 (32.26/32.00)	.654/.645 (16.61/16.38)	.614/.591 (15.60/15.01)	.653/.642 (16.59/16.31)	M17
B	11	.7500	1.385/1.375 (35.18/34.93)	.754/.745 (19.15/18.92)	.736/.713 (18.69/18.11)	.775/.764 (19.69/19.41)	M20
C	13	.8750	1.585/1.575 (40.26/40.01)	.941/.932 (23.90/23.67)	.862/.839 (21.89/21.31)	.905/.894 (22.99/22.71)	M25
D	15	1.0000	1.700/1.690 (43.18/42.93)	1.065/1.056 (27.05/26.82)	.988/.965 (25.10/24.51)	1.031/1.020 (26.19/25.91)	M28
E	17	1.1875	1.860/1.850 (47.24/46.99)	1.190/1.181 (30.23/30.00)	1.114/1.091 (28.30/27.71)	1.153/1.142 (29.29/29.01)	M32 (See Note 2)
F	19	1.2500	1.975/1.965 (50.17/49.91)	1.315/1.306 (33.40/33.17)	1.240/1.217 (31.50/30.91)	1.278/1.268 (32.46/32.21)	M35
G	21	1.3750	2.095/2.085 (53.21/52.96)	1.440/1.431 (36.58/36.35)	1.362/1.339 (34.59/34.01)	1.405/1.394 (35.69/35.41)	M38
H	23	1.5000	2.213/2.203 (56.21/55.96)	1.565/1.556 (39.75/39.52)	1.488/1.465 (37.80/37.21)	1.531/1.520 (38.89/38.61)	M41
J	25	1.6250	2.325/2.315 (59.06/58.80)	1.690/1.681 (42.93/42.70)	1.614/1.591 (41.0/40.41)	1.653/1.642 (41.99/41.71)	M44

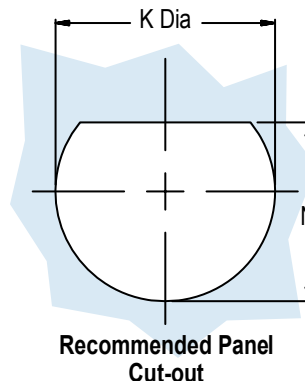


TABLE I: (Continued from Above)

Shell Size Code	Shell Size	H	J	K Dia	L Max	M Max		N
						P and X	S and Z	
A	9	.125/.062 (3.18/1.57)	.114/.098 (2.90/2.49)	.710/.700 (18.03/17.78)	1.149 (29.18)	.208 (5.28)	.232 (5.89)	.670/.660 (17.02/16.76)
B	11	.125/.062 (3.18/1.57)	.114/.098 (2.90/2.49)	.832/.822 (21.13/20.88)	1.149 (29.18)	.208 (5.28)	.232 (5.89)	.769/.759 (19.53/19.28)
C	13	.125/.062 (3.18/1.57)	.114/.098 (2.90/2.49)	1.017/1.007 (25.83/25.58)	1.153 (29.29)	.200 (5.08)	.224 (5.69)	.955/.945 (24.26/24.0)
D	15	.125/.062 (3.18/1.57)	.114/.098 (2.90/2.49)	1.144/1.134 (29.06/28.80)	1.153 (29.29)	.200 (5.08)	.224 (5.69)	1.084/1.074 (27.53/27.28)
E	17	.125/.062 (3.18/1.57)	.114/.098 (2.90/2.49)	1.271/1.261 (32.28/32.03)	1.153 (29.29)	.200 (5.08)	.224 (5.69)	1.208/1.198 (30.68/30.4)
F	19	.125/.062 (3.18/1.57)	.146/.130 (3.71/3.30)	1.394/1.384 (35.41/35.15)	1.185 (30.10)	.200 (5.08)	.224 (5.69)	1.333/1.323 (33.86/33.60)
G	21	.125/.062 (3.18/1.57)	.146/.130 (3.71/3.30)	1.517/1.507 (38.53/28.28)	1.185 (30.10)	.200 (5.08)	.224 (5.69)	1.459/1.449 (37.06/36.80)
H	23	.125/.062 (3.18/1.57)	.146/.130 (3.71/3.30)	1.644/1.634 (41.76/41.50)	1.185 (30.10)	.200 (5.08)	.224 (5.69)	1.580/1.570 (40.13/39.88)
J	25	.125/.062 (3.18/1.57)	.146/.130 (3.71/3.30)	1.746/1.736 (44.35/44.09)	1.185 (30.10)	.200 (5.08)	.224 (5.69)	1.709/1.699 (43.41/43.15)

TABLE III:
Contact Size
and Diameter

Contact Size	Ø P
22D	.011/.015 (0.28/0.38)
20	.024/.028 (0.61/0.71)
16	.0635/.0615 (1.61/1.56)
12	.095/.093 (2.41/2.36)
10	.126/.124 (3.20/3.15)

APPLICATION NOTES

- Assembly identified with manufacturer's name and P/N, space permitting.
- Modified major diameter 31.95-31.80 (1.257-1.252).
- Glenair 237-033 receptacle connector is designed to mate with and QPL manufacturer's MIL-DTL-38999 Series III plug connector having the same insert arrangement and polarization.
- Glenair 237-033 same as D38999/23 except double O-Ring configuration.
- Material/finish:
Shell, nut – CRES/passivated or CRES/nickel per QQ-N-290.
Contacts – Nickel iron alloy 52/gold.
Insulator – fused vitreous glass/N.A.
Seals – fluorosilicone rubber/N.A.
- Metric dimensions (mm) are indicated in parentheses.

Dimensions in Inches (millimeters) are subject to change without notice.

© 2013 Glenair, Inc.

U.S. CAGE Code 06324

Printed in U.S.A.

GLENAIR, INC. • 1211 AIR WAY • GLENDALE, CA 91201-2497 • 818-247-6000 • FAX 818-500-9912
www.glenair.com B-59 E-Mail: sales@glenair.com