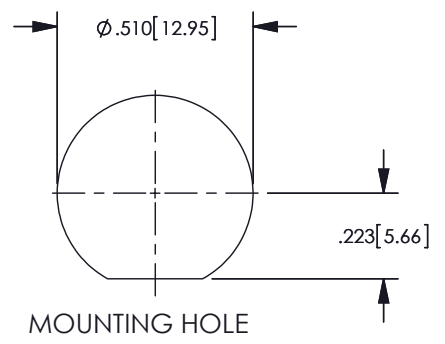
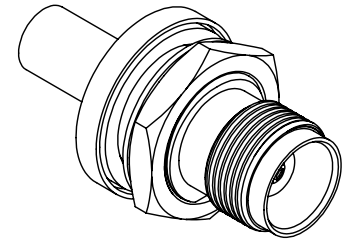
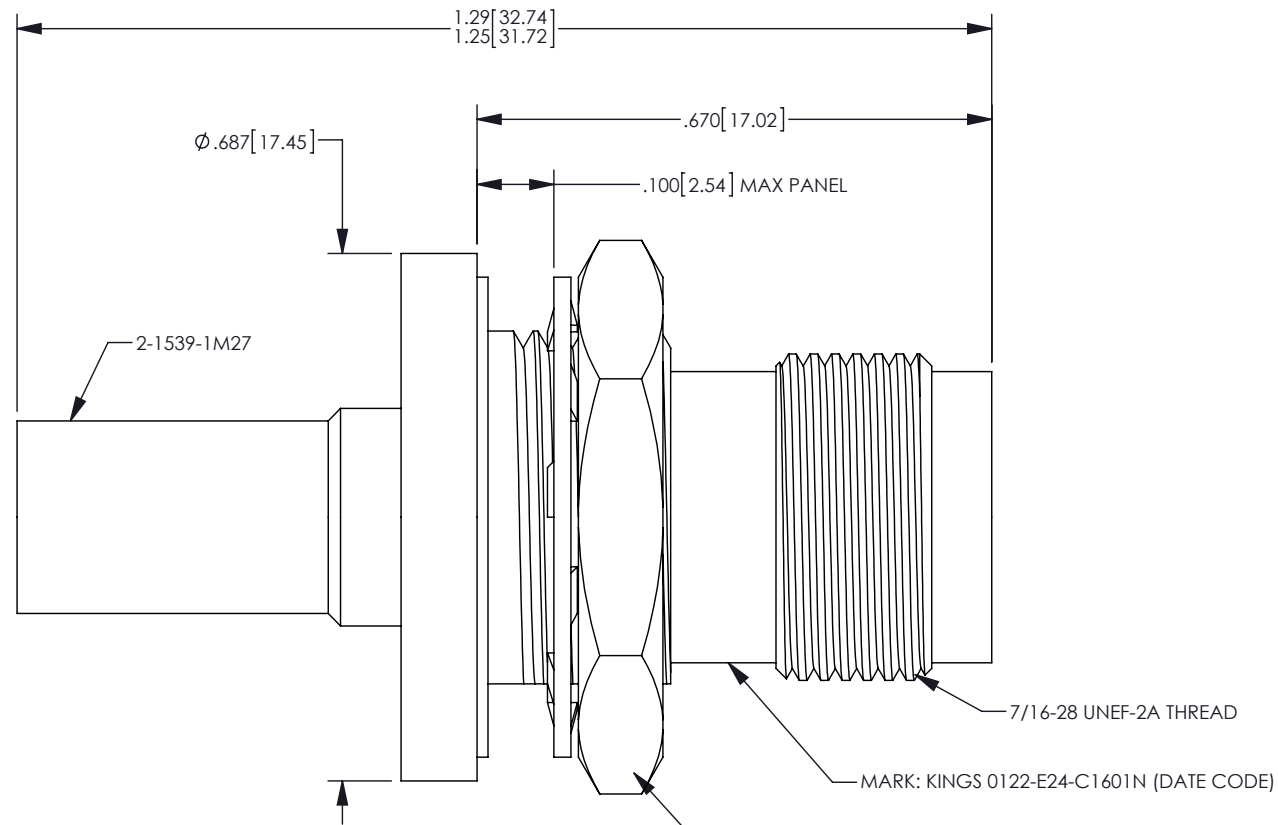


REV	DESCRIPTION	BY DATE	APPD
A	ER040573	KPL 2/21/12	DCAM



- NOTES: UNLESS OTHERWISE SPECIFIED
- FOR USE WITH BOEING BMS13-65 OF & ADAMS RUSSELL FC14Z CABLES.
 - FOR CABLING INSTRUCTIONS SEE 3-546-12.
 - FOR CRIMPING USE DIE KTH-2161.
 - INTERFACE PER MIL-STD-348, SERIES TNC, SOCKET CONTACT.
 - CENTER CONTACT, & K-GRIP SLEEVE ARE SUPPLIED UNASSEMBLED.
 - MATERIALS:
 - K-GRIP SLEEVE: COMMERCIAL BRONZE, ASTM B135
 - INSULATOR: TEFLON, ASTM D1710
 - CENTER CONTACT: BERYLLIUM COPPER, ASTM B196
 - GASKET: SILICONE RUBBER, A-A-59588
 - LOCKWASHER: PHOSPHOR. BRONZE, ASTM B103
 - ALL OTHER METAL PARTS: BRASS PER ASTM B16
 - FINISHES:
 - CENTER CONTACT: .000050 MIN GOLD PLATE PER ASTM B488 OVER .000050 MIN NICKEL PER AMS-QQ-N-290 (RoHS)
 - ALL OTHER METAL PARTS: .000050 MIN NICKEL PER AMS-QQ-N-290 OVER COPPER PER ASTM B734 (RoHS)
 - ELECTRICAL CHARACTERISTICS:
 - NOMINAL IMPEDANCE: 50 OHMS
 - WORKING VOLTAGE: 500 VRMS
 - FREQUENCY RANGE: DC TO 11 GHz
 - VSWR: 1.30 MAX
 - WEIGHT: 15.6 GRAMS

CATALOG P/N: 0122-E24-C1601N

PER ASME Y14.5M-1994 UNLESS OTHERWISE SPECIFIED: DIMENSIONS ARE IN INCHES [MM] TOLERANCES: DECIMAL: .XX [X.X] ± .01 [0.3] .XXX [X.XX] ± .005 [0.13] .XXXX [X.XXX] ± .XXXX ANGLES: ± 2° SCALE: 4:1		 Winchester Electronics Corporation 62 Barnes Industrial Road North Wallingford, Connecticut 06492	
CUSTOMER SALES DRAWING		JACK, BLKHD, TNC CRIMP ATTACHMENT (RoHS COMPLIANT)	
DRAWN KPL DATE 01/19/2012	APPROVED DCAM DATE 01/20/12	THIRD ANGLE 	DATE 01/20/12
APPROVED JB DATE 02/20/12	APPROVED XXX DATE XX/XX/XX	A	SD0122-E24-C1601N SHT OF REV 1 1 A