

1Ω SPDT Analog Switch

Features

- Isolation in Powered-Down Mode, $V_{+}=0$
- Typical 1.15Ω ON-State Resistance at 4.5V V_{cc}
- Low Charge Injection
- Excellent ON Resistance Matching
- +1.65V to +5.5V Single-Supply Operation
- Low Total Harmonic Distortion
- Low supply Current (<0.3μA)
- Break-before-make enable circuitry
- Control inputs 5V Tolerant
- SC-70-6 (SOT-363) and WLCSP2X3-6 package

Applications

- Cell Phones
- PDAs
- Portable Instrumentation

General Description

The G3202 is a low on-resistance, SPDT (Single-Pole/Double-Throw) analog switch that operates from a 1.65V to 5.5V supply. The device offers an excellent ON-resistance matching, and low total harmonic distortion (THD) performance. The device is designed for fast switching speeds with the break-before-make feature to prevent signal distortion during the transferring of signal from one channel to another. These features make this device suitable for portable audio applications.

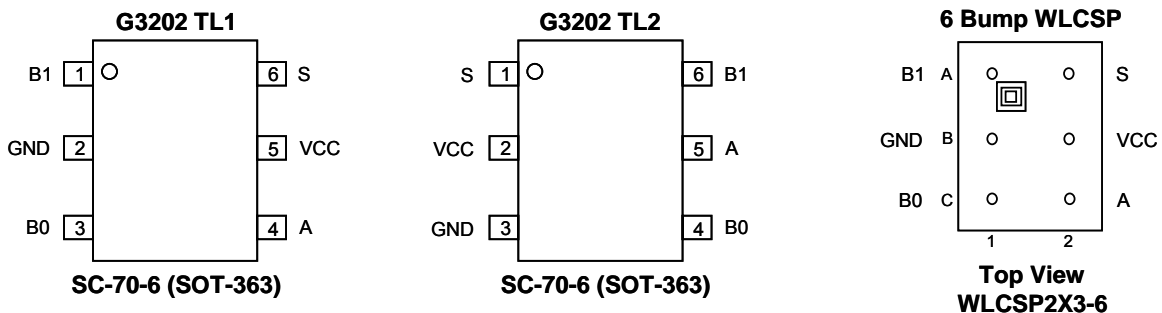
The G3202 is available in the SC-70-6 (SOT-363) and WLCSP2X3-6 package.

Ordering Information

ORDER NUMBER	MARKING	TEMP. RANGE	PACKAGE (Green)
G3202TL1U	322x	-40°C to 85°C	SC-70-6 (SOT-363)
G3202TL2U	32Bx	-40°C to 85°C	SC-70-6 (SOT-363)
G3202B21U	322x	-40°C to 85°C	WLCSP2X3-6

Note: TL: SC-70-6 (SOT-363) B2: WLCSP2X3-6
 1& 2: Bonding Code
 U: Tape & Reel

Pin Configuration





1Ω SPDT Analog Switch

Features

- Isolation in Powered-Down Mode, V+=0
- Maximum 1.15Ω ON-State Resistance at 4.5V Vcc
- Low Charge Injection
- Excellent ON Resistance Matching
- +1.65V to +5.5V Single-Supply Operation
- Low Total Harmonic Distortion
- Low supply Current (<0.3μA)
- Break-before-make enable circuitry
- Control inputs 5-V Tolerant
- SC-70-6 and WLCSP2X3-6 package

Applications

- Cell Phones
- PDAs
- Portable Instrumentation

General Description

The G3202A is a low on-resistance, SPDT (Single-Pole/Double-Throw) analog switch that operates from a 1.65V to 5.5V supply. The device offers an excellent ON-resistance matching, and low total harmonic distortion (THD) performance. The device is designed for fast switching speeds with the break-before-make feature to prevent signal distortion during the transferring of signal from one channel to another. These features make this device suitable for portable audio applications.

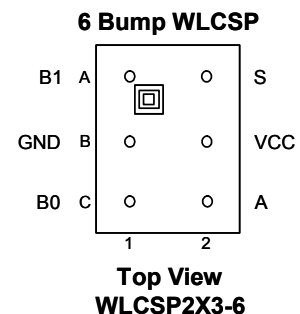
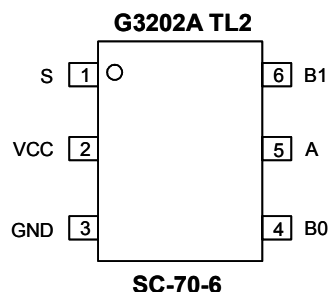
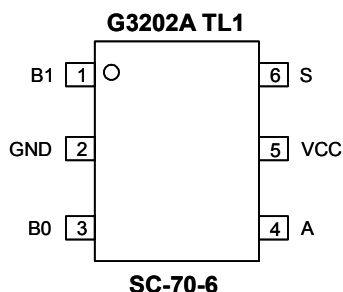
The G3202A is available in the SC-70-6 and WLCSP2X3-6 package.

Ordering Information

ORDER NUMBER	MARKING	TEMP. RANGE	PACKAGE (Pb free)
G3202ATL1U	320x	-40°C to 85°C	SC-70-6
G3202ATL2U	32Cx	-40°C to 85°C	SC-70-6
G3202AB21U	32B	-40°C to 85°C	WLCSP2X3

Note: TL: SC-70-6 B2: WLCSP2X3-6
1& 2: Bonding Code
U: Tape & reel

Pin Configuration





1Ω SPDT Analog Switch

Features

- Isolation in Powered-Down Mode, $V_{+}=0$
- Typical 1.15Ω ON-State Resistance at 4.5V V_{CC}
- Low Charge Injection
- Excellent ON Resistance Matching
- +1.65V to +5.5V Single-Supply Operation
- Low Total Harmonic Distortion
- Low supply Current (<0.3μA)
- Break-before-make enable circuitry
- Control inputs 5V Tolerant
- SC-70-6 (SOT-363) and WLCSP2X3-6 package

Applications

- Cell Phones
- PDAs
- Portable Instrumentation

General Description

The G3202 is a low on-resistance, SPDT (Single-Pole/Double-Throw) analog switch that operates from a 1.65V to 5.5V supply. The device offers an excellent ON-resistance matching, and low total harmonic distortion (THD) performance. The device is designed for fast switching speeds with the break-before-make feature to prevent signal distortion during the transferring of signal from one channel to another. These features make this device suitable for portable audio applications.

The G3202 is available in the SC-70-6 (SOT-363) and WLCSP2X3-6 package.

Ordering Information

ORDER NUMBER	MARKING	TEMP. RANGE	PACKAGE (Green)
G3202BTL1U	3B2x	-40°C to 85°C	SC-70-6 (SOT-363)
G3202BTL2U	3BBx	-40°C to 85°C	SC-70-6 (SOT-363)
G3202BB21U	3BB	-40°C to 85°C	WLCSP2X3-6

Note: TL: SC-70-6 (SOT-363) B2: WLCSP2X3-6
1& 2: Bonding Code
U: Tape & Reel

Pin Configuration

