

80 mm sq.

San Ace 80

15mm thick (GA type), 15mm thick, 20mm thick (GA type)
 20mm thick, 25mm thick (GA type), 25mm thick (S type)
 25mm thick (GV type), 25mm thick
 25mm thick (San Cooler), 32mm thick (GA type)
 32mm thick, 38mm thick (HV type), 38mm thick (GA type)
 38mm thick (GV type), 38mm thick (G type)



General Specifications

- Material Frame: Plastics (Flammability: UL94V-0),
 Impeller: Plastics (Flammability: UL94V-0)
- Expected Life Refer to specifications (L10: Survival rate: 90% at 60°C ,
 rated voltage, and continuously run in a free air state)
- Lead Wire ⊕red ⊖black (Sensor) yellow (Control) brown
- Storage Temperature -30°C to +70°C (Non-condensing)

80×80×20mm (Mass : 80g) **GA type** **Low Power Consumption Fan**



Specifications

The following nos. have PWM controls, pulse sensors, and ribs.

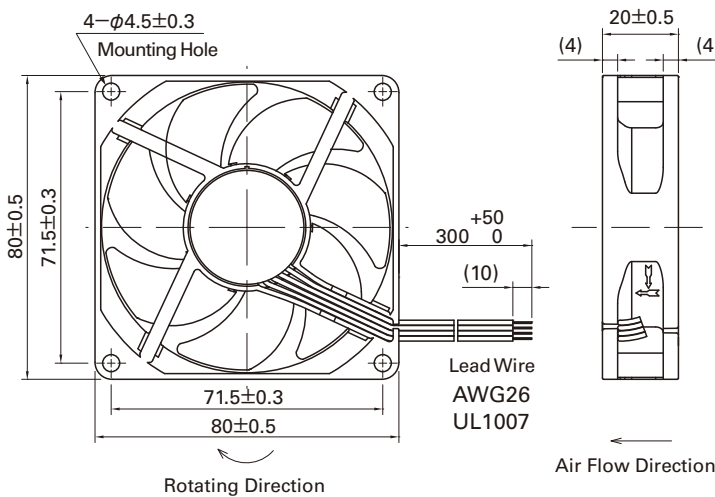
Model No.	Rated Voltage [V]	Operating Voltage Range [V]	PWM duty cycle ^{Note1)2)} [%]	Rated Current [A]	Rated Input [W]	Rated Speed [min ⁻¹]	Max. Air Flow [m ³ /min] [CFM]	Max. Static Pressure [Pa] [inchH ₂ O]	SPL [dB(A)]	Operating Temperature [°C]	Expected Life ^{Note2)} [h]
9GA0812P6G001	12	10.2 to 13.8	100	0.3	3.6	5,850	1.72 60.78	110 0.44	45	-20 to +70	40,000/60°C (70,000/40°C)
9GA0812P6M001				0.06	0.72	2,900	0.84 29.68	27 0.11	26.5		60,000/60°C
9GA0824P6G001	24	20.4 to 27.6	100	0.15	3.6	5,850	1.72 60.78	110 0.44	45		40,000/60°C (70,000/40°C)
9GA0824P6M001				0.03	0.72	2,900	0.84 29.68	27 0.11	26.5		60,000/60°C

Note 1: Does not rotate when PWM duty cycle is 0%.
 Note 2: Expected life at 40°C ambient is just reference value.

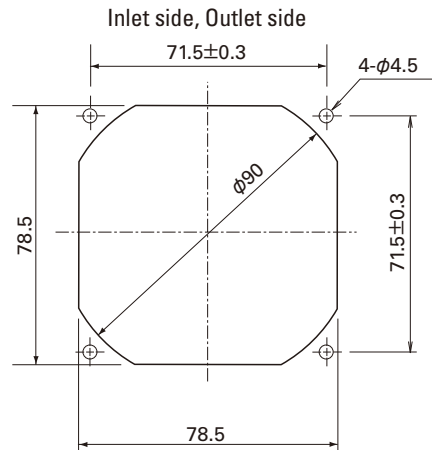
※PWM Frequency : 25kHz

- Available options: ⇒ **Without Sensor** **Pulse Sensor** **Lock Sensor**

Dimensions (Unit : mm)



Reference dimension of mounting holes and vent opening (Unit : mm)



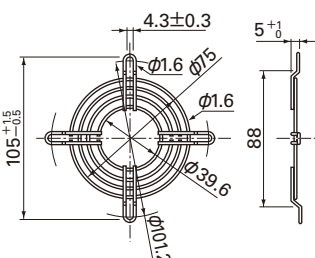
Options (Unit : mm)

Finger guards

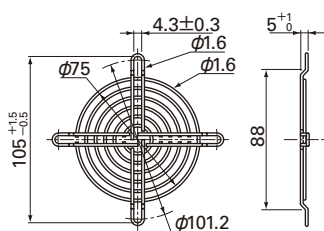
Model : 109-049C Surface treatment : Nickel-chrome plating (silver) Color

Model : 109-049E Surface treatment : Nickel-chrome plating (silver) Color
 : 109-049H : Cation electropainting (black)

Outlet side



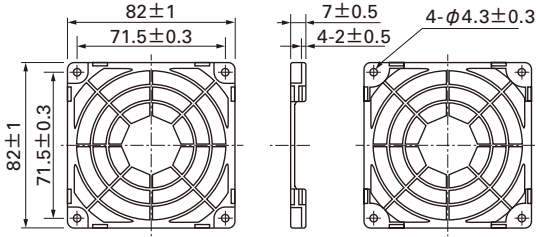
Inlet side, Outlet side



Options (Unit : mm)

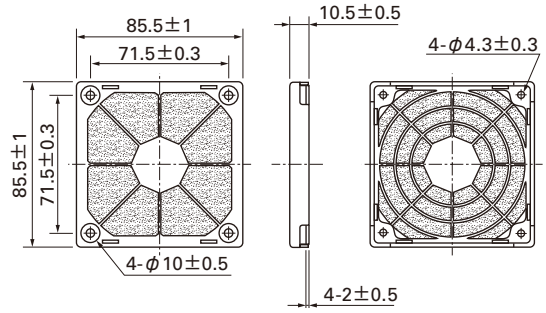
Resin finger guards

Model : 109-1002G



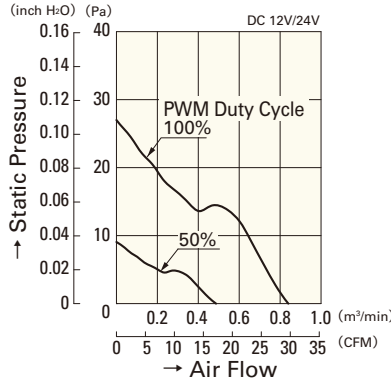
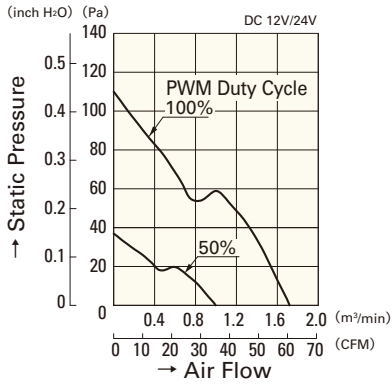
Resin filter kits

Model : 109-1002F13 (13PPI), 109-1002F20 (20PPI)
: 109-1002F30 (30PPI), 109-1002F40 (40PPI)



Air Flow - Static Pressure Characteristics

PWM Duty Cycle



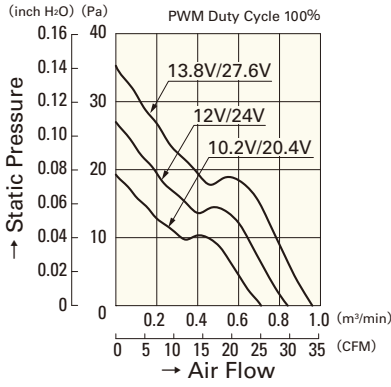
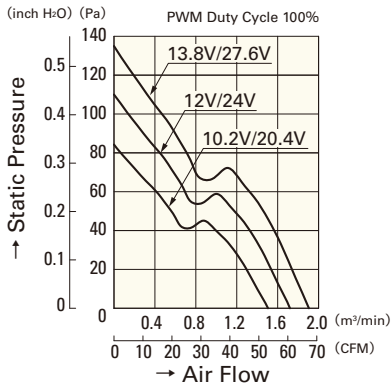
9GA0812P6G001

9GA0824P6G001

9GA0812P6M001

9GA0824P6M001

Operating Voltage Range



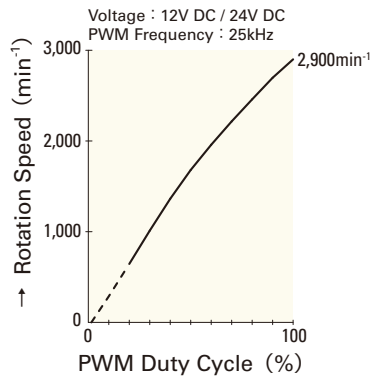
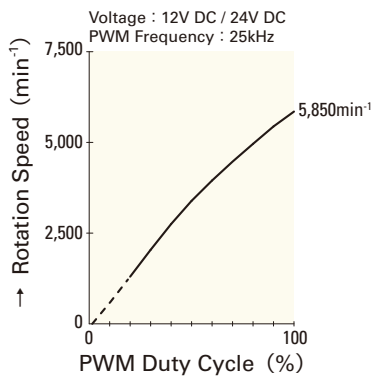
9GA0812P6G001

9GA0824P6G001

9GA0812P6M001

9GA0824P6M001

PWM Duty - Speed Characteristics Example



9GA0812P6G001

9GA0824P6G001

9GA0812P6M001

9GA0824P6M001