

227-163 High-Pressure Environmental Box Mount Plug with Circular Flange



PLUG CONNECTOR WITH SPECIAL CIRCULAR FLANGE

How To Order					
Sample Part Number	227-163	24	-61	S	N
Series - Shell Style	227-163				
Shell size	10,12, 14, 16, 18, 20, 22, 24 See Table II				
Insert Arrangement Dash No.	See Table I				
Contact Syle	P = Pin, S = Socket				
Polarization	N, 1, 2, 3 or 4				

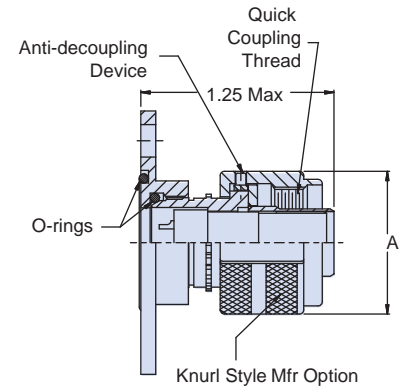
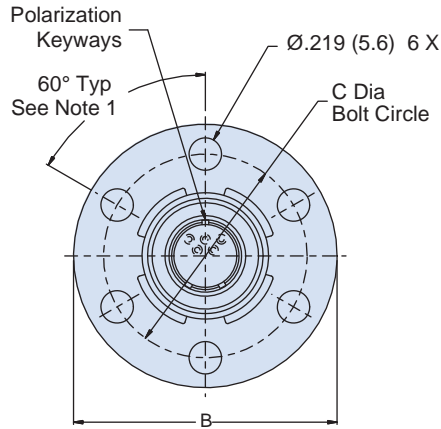


Table I: Contact Arrangements

Shell Size	Insert Arrangement Dash No.	Contact Size and Quantity		
		22	20	16
10	- 4			4
	- 6		6	
	- 13	13		
12	- 8			8
	- 10		10	
	- 22	22		
14	- 12			12
	- 19		19	
	- 37	37		
16	- 19			19
	- 26		26	
	- 55	55		
18	- 22			22
	- 32		32	
	- 66	66		
20	- 30			30
	- 38	30		8
	- 41		41	
	- 79	79		
22	- 38			38
	- 55		55	
	- 85	85		
24	- 48			48
	- 61		61	
	- 100	100		

Table II: Dimensions

Shell Size	A Dia Max	B Dim	C Dim	Shell Size	A Dia Max	B Dim	C Dim
10	1.000 (25.4)	1.78 (45.2)	1.375 (34.9)	18	1.594 (40.5)	2.38 (60.5)	1.969 (50.0)
12	1.125 (28.6)	1.91 (48.5)	1.500 (38.1)	20	1.719 (43.7)	2.50 (63.5)	2.094 (53.2)
14	1.250 (31.8)	2.03 (51.6)	1.625 (41.3)	22	1.844 (46.8)	2.63 (66.8)	2.219 (56.4)
16	1.375 (34.9)	2.16 (54.9)	1.750 (44.5)	24	1.969 (50.0)	2.75 (69.9)	2.344 (59.5)

Notes

1. Assembly identified with manufacturer's name and P/N, space permitting.
2. Performance capabilities:
 - Current rating: size 16 contact - 750 VDC, 10 amps size 20 contact - 500 VDC, 5 amp size 22 contact - 500 VDC, 3 amp
 - Hydrostatic pressure rating: 5000 PSI, fully mated
 - Insulation resistance: 1000 megaohms @ 500 VDC

Note: electrical safety limits to be set by user peak voltages switching surges, transients, etc. should be used to determine safe applications. Position from keyway will vary.

3. Material/finish:
 - Barrel - 316 stainless steel/passivate
 - Hardware - 300 series stainless steel/passivate coupling nut - nickel-aluminum-bronze/degrease
 - Contacts - copper alloy/gold plate
 - Insulator - high grade rigid dielectric/na o-rings - nitrile/na