



APPLY TO GENERIC IC

P/N:FB2028C DATA SHEET

Feature



- IEEE 802.3 and IEEE 802.5 compatible.
- Designed to meet AMD AM79C98, AT & T T7220 & NS DP83922 chip sets requirements.
- Integrated filter and isolation transformers in single 16 Pin DAP package.
- Low insertion loss characteristics.
- Cost effective designs.
- Operating temperature range: 0°C to +70°C.
- Storage temperature range: -25°C to +125°C.

Electrical Specifications @ 25°C

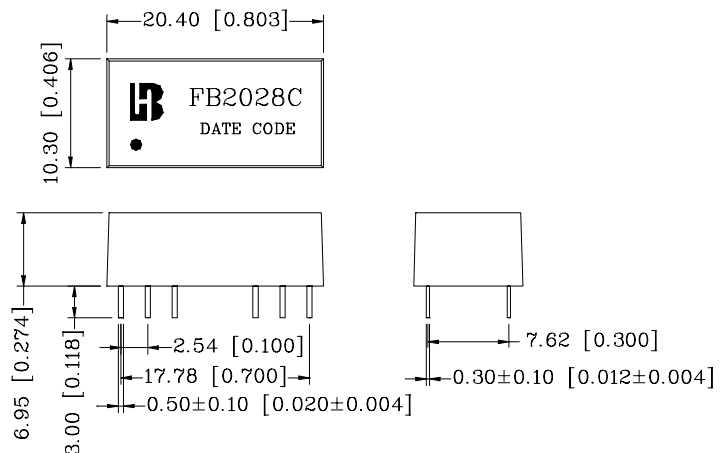
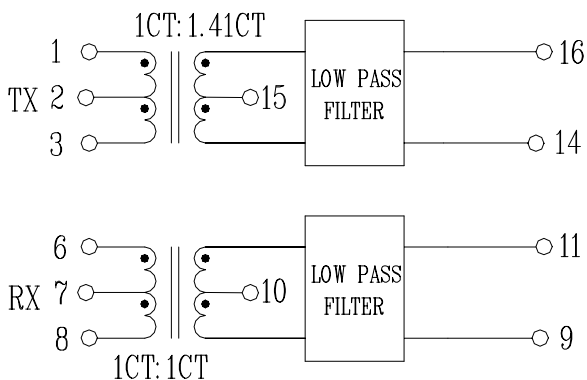
Part Number	Turns Ratio (±5%)		CUT-OFF Frequency	HI-POT (Vrms)
	TX	RX		
FB2028C	1CT:1.41CT	1CT:1CT	17 MHz ± 1.5MHz	2000

Continue

Part Number	Insertion Loss (dB Max)	Attenuation (dB Min) TX/RX	Return Loss (dB Min)	Cross talk (dB Min)
	FB2028C	-1.0	-27/-18	-20

Schematic

Mechanical



Units: mm[Inches] Tolerances: xx.x0±0.25[0.010]
0.xx±0.05[0.002]