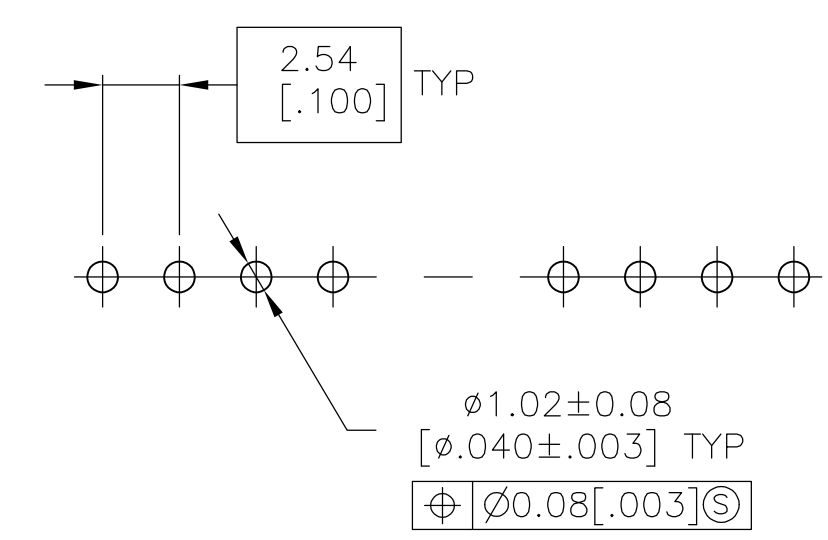
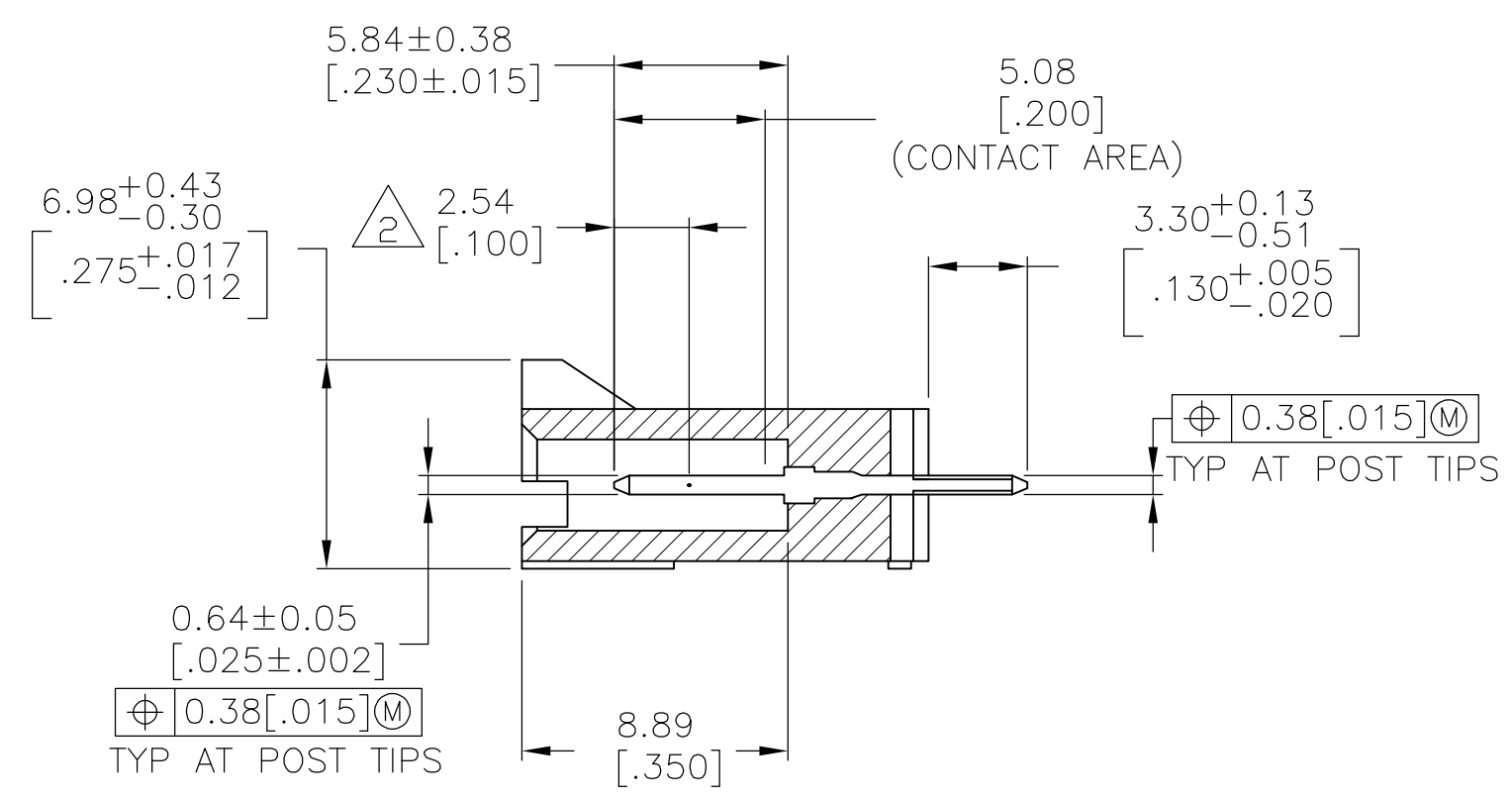
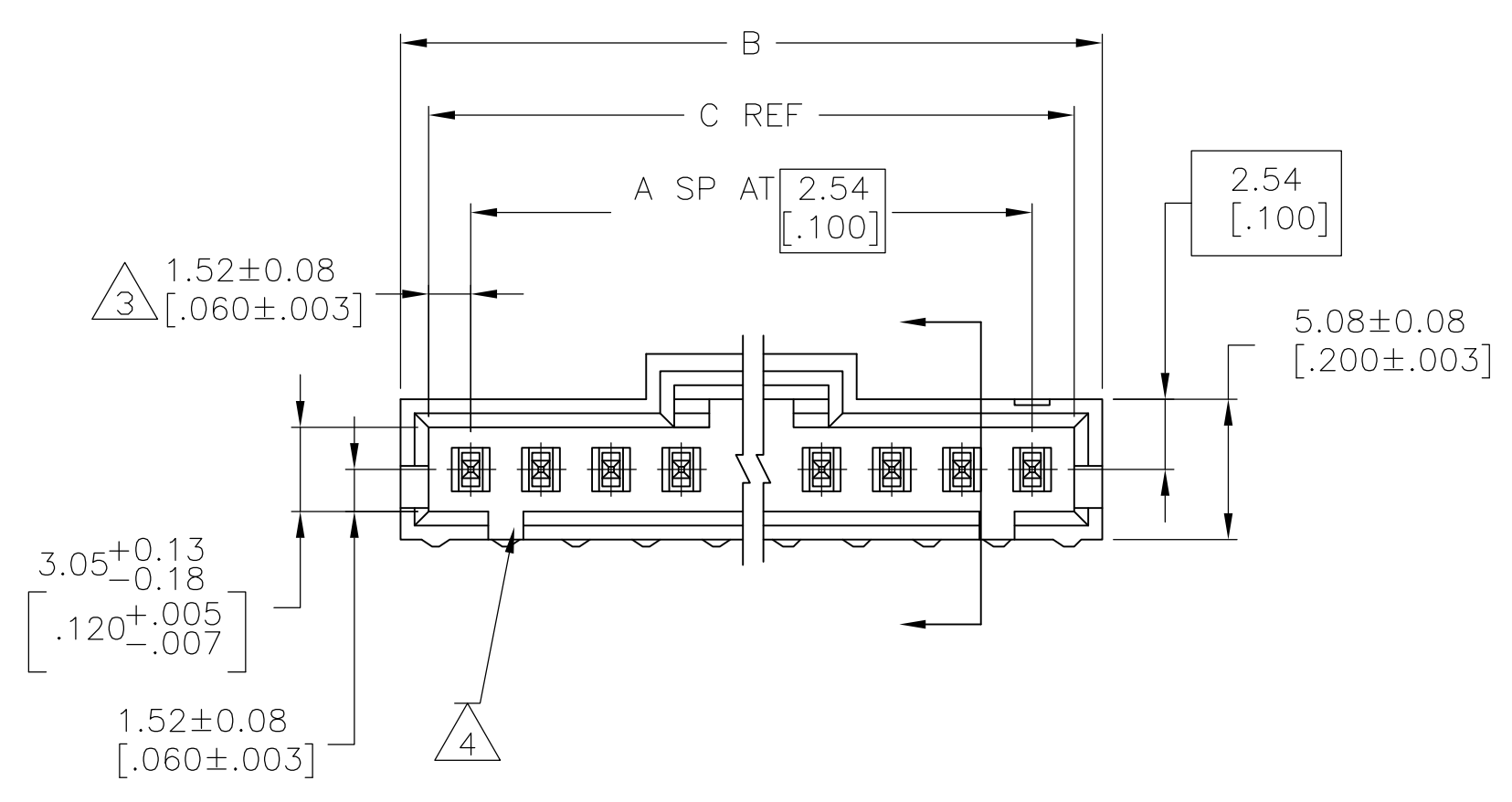
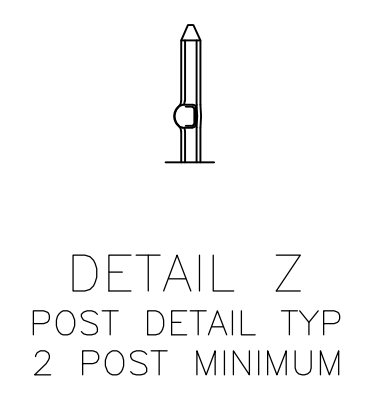
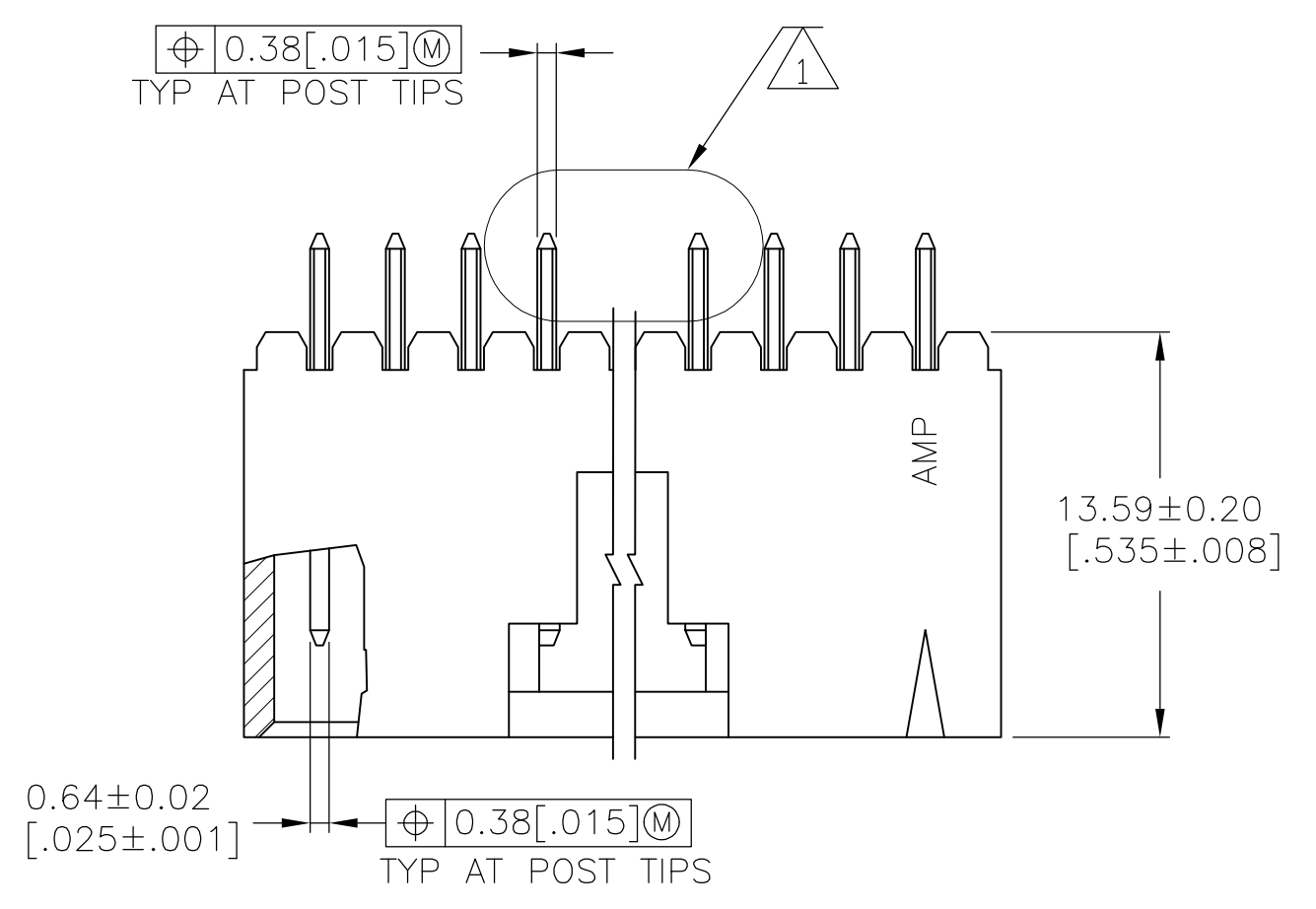


LOC		DIST		REVISIONS			
AD	00	REV	DATE	BY	CHK	APPV	
S2	REVISED PER ECO-11-004587		11MAR11	RK	HMR		



- 1 .00038[.000015] GOLD IN THE CONTACT AREA, .00254[.000100] MATTE TIN-LEAD ON REMAINDER OF CONTACT, ALL OVER .00127[.000050] NICKEL.
- 2 POINT OF MEASUREMENT FOR PLATING THICKNESS.
- 3 THE NOTED DIMENSIONS APPLY AT THE INTERSECTION OF THE POST AND THE HOUSING.
- 4 ON ASSEMBLIES WITH FOUR OR MORE POSITIONS, TWO POLARIZATION SLOTS. ON ASSEMBLIES WITH TWO OR THREE POSITIONS, ONE POLARIZATION SLOT.
- 5 SELECT POST TAILS FORMED TO PROVIDE CONNECTOR HOLD DOWN UNTIL SOLDERED. CONFIGURATION ACCEPTS 0.69[.027]-2.03[.080] THICK PRINTED CIRCUIT BOARD. (SEE DETAIL Z).
- 6 OBSOLETE PARTS: OBSOLETE CIS STREAMLINING PER D.RENAUD/D.SINISI

REV	DATE	BY	CHK	APPV	DESCRIPTION
6					OBSELETE
6					SUPERCEDED BY 7-104909-0
6					SUPERCEDED BY 6-104909-8

REV	DATE	BY	CHK	APPV	DESCRIPTION
64.01	66.04	24	25	2-103670-4	
[2.520]	[2.600]				
61.47	63.50	23	24	2-103670-3	
[2.420]	[2.500]				
58.93	60.96	22	23	2-103670-2	
[2.320]	[2.400]				
56.39	58.42	21	22	2-103670-1	
[2.220]	[2.300]				
53.85	55.88	20	21	2-103670-0	
[2.120]	[2.200]				
51.31	53.34	19	20	1-103670-9	
[2.020]	[2.100]				
48.77	50.80	18	19	1-103670-8	
[1.920]	[2.000]				
46.23	48.26	17	18	1-103670-7	
[1.820]	[1.900]				
43.69	45.72	16	17	1-103670-6	
[1.720]	[1.800]				
41.15	43.18	15	16	1-103670-5	
[1.620]	[1.700]				
38.61	40.64	14	15	1-103670-4	
[1.520]	[1.600]				
36.07	38.10	13	14	1-103670-3	
[1.420]	[1.500]				
33.53	35.56	12	13	1-103670-2	
[1.320]	[1.400]				
30.99	33.02	11	12	1-103670-1	
[1.220]	[1.300]				
28.45	30.48	10	11	1-103670-0	
[1.120]	[1.200]				
25.91	27.94	9	10	103670-9	
[1.020]	[1.100]				
23.37	25.40	8	9	103670-8	
[.920]	[1.000]				
20.83	22.86	7	8	103670-7	
[.820]	[.900]				
18.29	20.32	6	7	103670-6	
[.720]	[.800]				
15.75	17.78	5	6	103670-5	
[.620]	[.700]				
13.21	15.24	4	5	103670-4	
[.520]	[.600]				
10.67	12.70	3	4	103670-3	
[.420]	[.500]				
8.13	10.16	2	3	103670-2	
[.320]	[.400]				
5.59	7.62	1	2	103670-1	
[.220]	[.300]				
C	B	A	NO OF POSN	PART NO.	

THIS DRAWING IS A CONTROLLED DOCUMENT.

DTN: S. SHUEY 3-5-91  
 CHK: M. RIDER 2-14-92  
 APVD: M. RIDER 2-14-92

NAME: HDR ASSY, VERT, SINGLE ROW  
 PRODUCT SPEC: 108-25034  
 APPLICATION SPEC: 114-25026

SIZE: A1  
 CAGE CODE: 00779  
 DRAWING NO: 103670

SCALE: 4:1  
 SHEET: 1 of 1  
 REV: S2

STC TE Connectivity