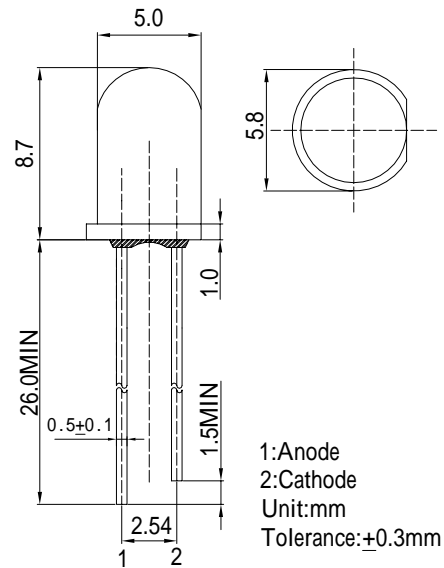


**Features**

- High Luminous LEDs
- 5mm Round Standard Directivity
- Superior Weather-resistance
- Bi-Color Flashing Type
- White Diffused Type

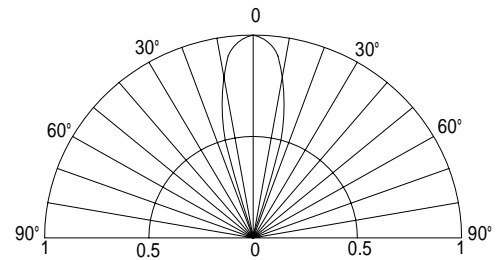
**Applications**

- Toys
- Games
- Audio
- Other Lighting

**Outline Dimension**

**■Absolute Maximum Rating (Ta=25 °C)**

Item	Symbol	Value	Unit
Oscillator Frequency	Fled	1.8	Hz
Power Supply	Voltage	4.5	V
Operating Temperature	Topr	-30 ~ +85	
Storage Temperature	Tstg	-40 ~ +100	
Lead Soldering Temperature	Tsol	260 /5sec	-

\*Pulse width Max.10ms Duty ratio max 1/10

**■Directivity**

**■Electrical -Optical Characteristics (Ta=25 °C)**

Item	Symbol	Conditio	Min.	Typ.	Max.	Unit
DC Forward Voltage	Vdd	I <sub>F</sub> =20mA	3.0	3.3	4.5	V
DC Reverse Current	I <sub>R</sub>	V <sub>R</sub> =5V	-	-	10	μA
Domi. Wavelength*	λ <sub>D</sub> (Blue)	I <sub>F</sub> =20mA	465	470	475	nm
Chromaticity Coordinates*	x	I <sub>F</sub> =20mA	-	0.31	-	
	y	I <sub>F</sub> =20mA	-	0.34	-	
Luminous Intensity*	I <sub>v</sub> (Blue)	I <sub>F</sub> =20mA	1120	1560	-	mcd
	I <sub>v</sub> (White)	I <sub>F</sub> =20mA	1120	1560	-	mcd
50% Power Angle	2θ <sub>1/2</sub>	I <sub>F</sub> =20mA	-	30	-	deg

\*1 Tolerance of dominant wavelength is ±1nm

\*2 Tolerance of Chromaticity Coordinates ±10%

\*3 Tolerance of luminous intensity is ±15%