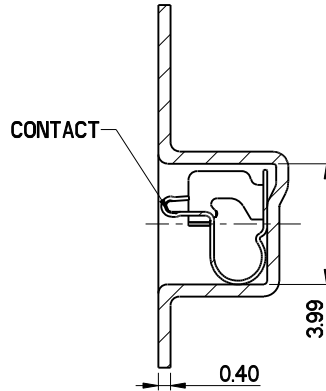
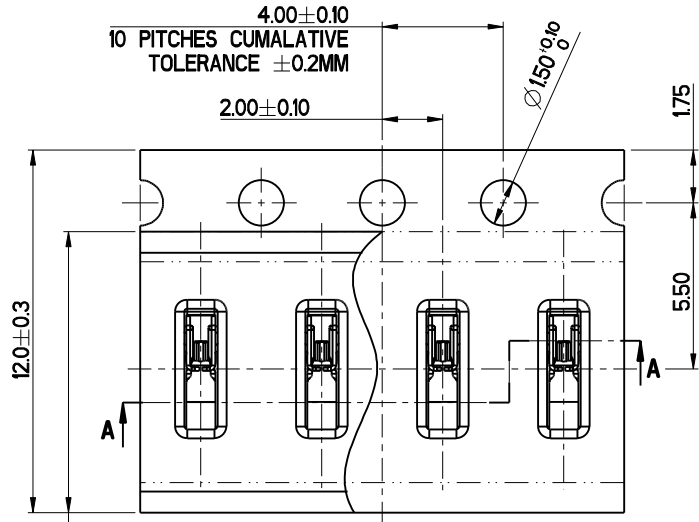
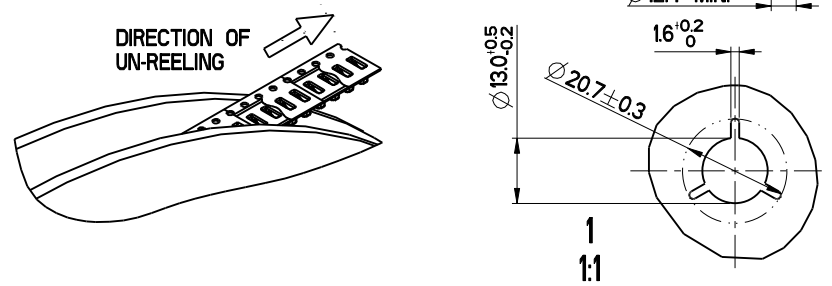
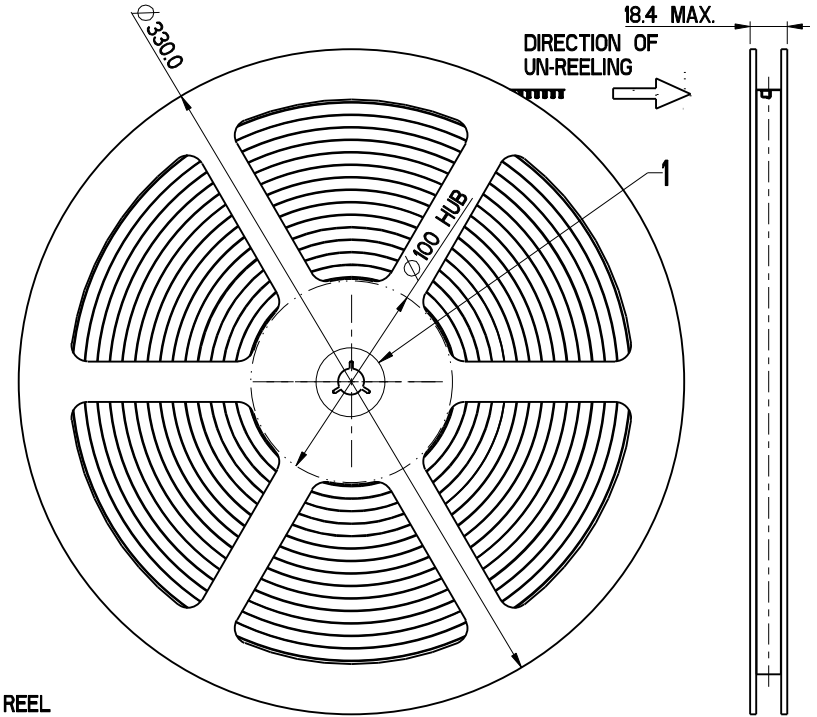


- NOTE:**
1. MATERIAL : TITANIUM COPPER 0.125 THICK
 2. FINISH: NICKEL UNDERPLATE 1.0/3.0 MICRONS
 3. PRE-LOAD FORCE: 0.40 N * CONTACT POINT
 4. FORCE * MAXIMUM DEFLECTION: 1.05 N * CONTACT POINT
 5. RINGED DIMENSIONS AND GEOMETRIC TOLERANCE ARE CRITICAL.

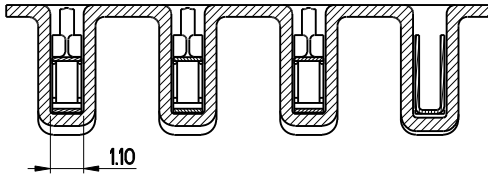
DO NOT SCALE								A3/B
Drawn	BILLS	18-OCT-11	Material:	 3rd ANGLE PROJECTION Surface Roughness	 ITT Industries Cannon Electronics (SZ) Co. Ltd.	Toupandun Industrial Area, Jinda Cheng, Xiner Village, Shajing Town, Baoan District, Shenzhen City PRC 518125		Pro/E Generic Model
Checked	PL	18-OCT-11	SEE NOTES 1			Title		MICRO UNIVERSAL CONTACT Z 3.5mm
Engineer.	BILLS	18-OCT-11	Treatment:	Unless Specified Ref: ""	Scale 20:1 Sheet 1 of 2	Drwg. No. CU-120220-0314		iss/rev
Manufact.	-	-	Dimensions in: mm			B		
Assembly	-	-	Approvals Sign Date	Cust Spec No:		This is issued in strict confidence on condition that it is not used as a basis for manufacture or sale and that it is not copied, reprinted or disclosed to a third party either wholly or in part without the prior written consent of ITT Industries © 24-May-05		
Quality	-	-						



SECTION B-B



93 ANTI-STATIC COVER TAPE
POLYESTER - 0.025 THICK
PRESSURE SEAL



NOTES: SECTION A-A
1, UNSPECIFIED INTERNAL RADII R0.2 MM MAX.
2, CARRIER TAPE MATERIAL - BLACK CONDUCTIVE POLYSTYRENE.

PACKAGING DETAILS

- 1) 3600 PCS TO BE PACKED PER REEL
- 2) LEADER : 400 MM
- 3) TRAILER : 160 MM
- 4) REEL MATERIAL - BLACK ANTI-STATIC POLYSTYRENE

DO NOT SCALE								A3/B	
Drawn	BILLS	13-JUL-11	Material:	 3rd ANGLE PROJECTION Surface Roughness Unless Specified	 ITT Industries Cannon Electronics (SZ) Co. Ltd.	Toupandun Industrial Area, Jinda Cheng, Xiner Village, Shajing Town, Baoan District, Shenzhen City PRC 518125		Pro/E Generic Model	
Checked	PL	13-JUL-11	SEE NOTES 1			Title		MICRO UNIVERSAL CONTACT Z 3.5mm	
Engineer	BILLS	13-JUL-11	Treatment:						
Manufact.	-	-	Dimensions in: mm	Cust Spec No:		Scale 1:1		Sheet 2 of 2	
Assembly	-	-					Drwg. No. 120220-0314		iss/rev B
Quality	-	-							
Approvals	Sign	Date							

This is issued in strict confidence on condition that it is not used as a basis for manufacture or sale and that it is not copied, reprinted or disclosed to a third party either wholly or in part without the prior written consent of ITT Industries © 24-May-05