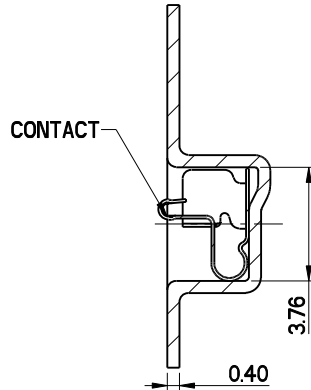
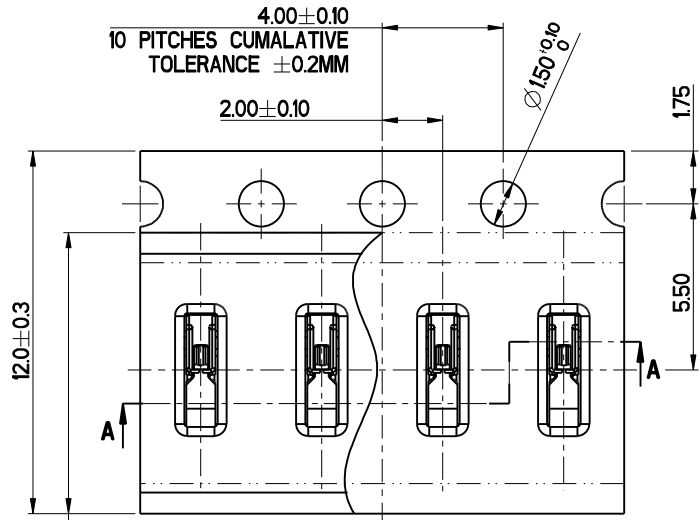


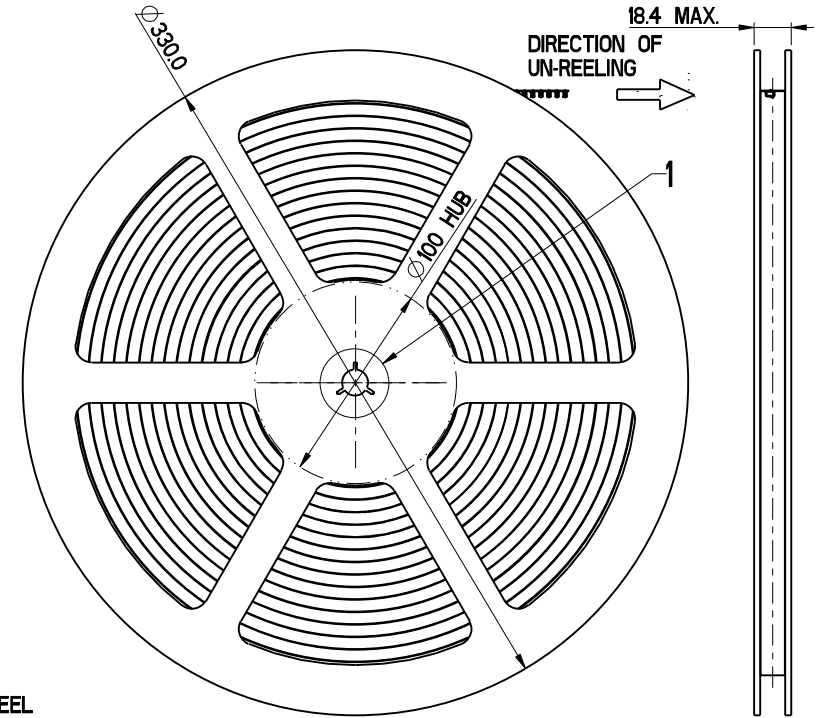
- NOTE:**
1. MATERIAL : TITANIUM COPPER 0.1 THICK
 2. FINISH: NICKEL UNDERPLATE 1.0/3.0 MICRONS
 3. PRE-LOAD FORCE: 0.35 N * CONTACT POINT
 4. FORCE * MAXIMUM DEFLECTION: 0.78 N * CONTACT POINT
 5. RINGED DIMENSIONS AND GEOMETRIC TOLERANCE ARE CRITICAL.

DO NOT SCALE								A3/B	
Drawn	BILLS	18-OCT-11	Material:	 3rd ANGLE PROJECTION Surface Roughness Unless Specified	 ITT Industries Toupan Industrial Area, Jinda Cheng, Xiner Village, Shajing Town, Baoan District, Shenzhen City PRC 518125	Pro/E Generic Model			
Checked	PL	18-OCT-11	SEE NOTES 1			Title			
Engineer	BILLS	18-OCT-11				MICRO UNIVERSAL CONTACT Z 3.0mm			
Manufact.	-	-							
Assembly	-	-	Treatment:	Ref: ""		Scale 20:1		Sheet 1 of 2	
Quality	-	-		Cust Spec No:		Drwg. No. CU-120220-0313		iss/rev B	
Approvals	Sign	Date	Dimensions in: mm						

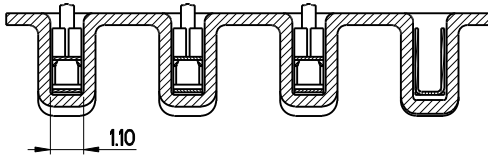
This is issued in strict confidence on condition that it is not used as a basis for manufacture or sale and that it is not copied, reprinted or disclosed to a third party either wholly or in part without the prior written consent of ITT Industries © 24-May-05



SECTION B-B



9.3 ANTI-STATIC COVER TAPE
POLYESTER - 0.025 THICK
PRESSURE SEAL

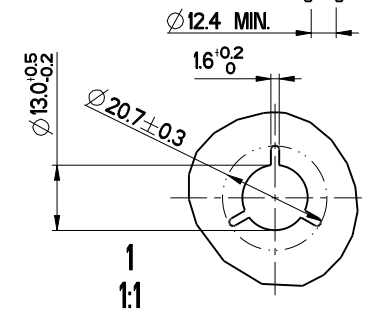
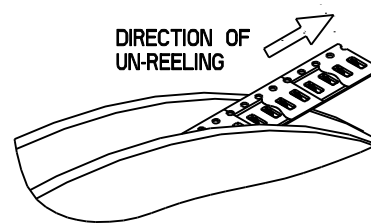


SECTION A-A

- NOTES:
1, UNSPECIFIED INTERNAL RADII R0.2 MM MAX.
2, CARRIER TAPE MATERIAL - BLACK CONDUCTIVE POLYSTYRENE.

PACKAGING DETAILS

- 4200 PCS TO BE PACKED PER REEL
2) LEADER : 400 MM
3) TRAILER : 160 MM
4) REEL MATERIAL - BLACK ANTI-STATIC POLYSTYRENE



DO NOT SCALE							A3/B		
Drawn	BILLS	13-JUL-11	Material:	 3rd ANGLE PROJECTION Surface Roughness Unless Specified	 ITT Industries Canon Electronics (SZ) Co. Ltd.	Toupandun Industrial Area, Jinda Cheng, Xiner Village, Shajing Town, Baoan District, Shenzhen City PRC 518125		Pro/E Generic Model	
Checked	PL	13-JUL-11	SEE NOTES 1			Title		MICRO UNIVERSAL CONTACT Z 3.0mm	
Engineer	BILLS	13-JUL-11				Drwg. No.		120220-0313	
Manufact.	-	-	Treatment:			Scale 1:1		Sheet 2 of 2	
Assembly	-	-	Dimensions in: mm	Cust Spec No:		Iss/rev		B	
Quality	-	-							
Approvals	Sign	Date	This is issued in strict confidence on condition that it is not used as a basis for manufacture or sale and that it is not copied, reprinted or disclosed to a third party either wholly or in part without the prior written consent of ITT Industries © 24-May-05						