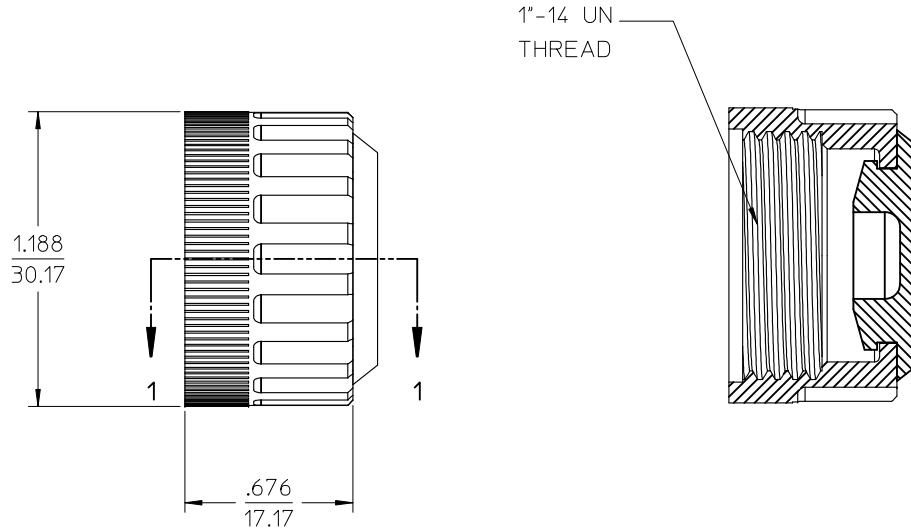
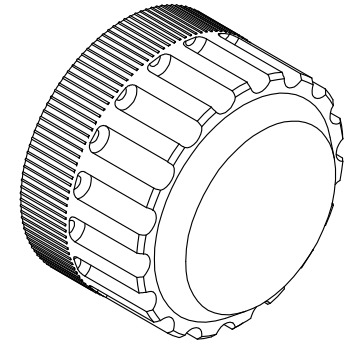


PART NUMBER	OLD PART NUMBER
1300580033	65-0300



COMPONENT	MATERIAL	FINISH
COUPLING NUT	ABS	BLACK
CLOSURE CAP BPF 11/16	NYLON	BLACK

RELEASED EC NO: WNA2009-0626 DRWN: SGARCIA 2009/03/31 CHKD: BWOODMAN APPR: JFMURPHY 2009/04/01	QUALITY SYMBOLS	GENERAL TOLERANCES (UNLESS SPECIFIED)	DIMENSION STYLE	SCALE	DESIGN UNITS	THIRD ANGLE PROJECTION
	▽=0 ▽=0	mm INCH 4 PLACES ± --- ± --- 3 PLACES ± --- ± --- 2 PLACES ± --- ± 0.01 1 PLACE ± 0.3 ± ---	IN/MM	2:1	INCH	
		ANGULAR ±1/2°	DRAWN BY DATE SGARCIA 2009/03/27 CHECKED BY DATE BWOODMAN 2009/03/27 APPROVED BY DATE JFMURPHY 2009/03/27	TITLE CLOSURE CAP ETHERNET INTERNAL THREAD		
	DRAFT WHERE APPLICABLE MUST REMAIN WITHIN DIMENSIONS	MATERIAL NO. SEE CHART	MOLEX INCORPORATED DOCUMENT NO. SD-130058-001	SHEET NO. 1 OF 1		