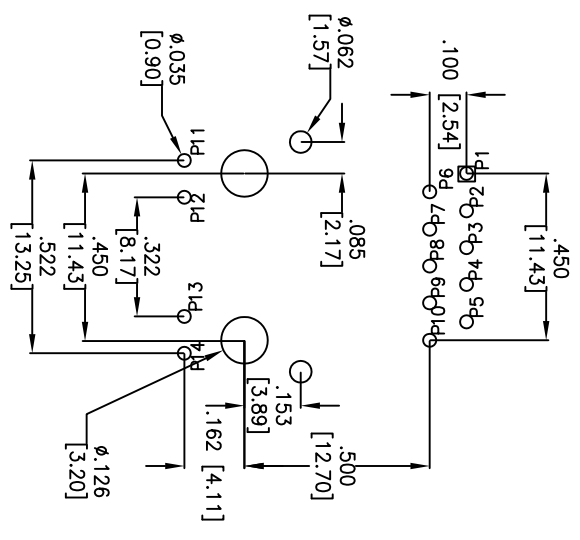
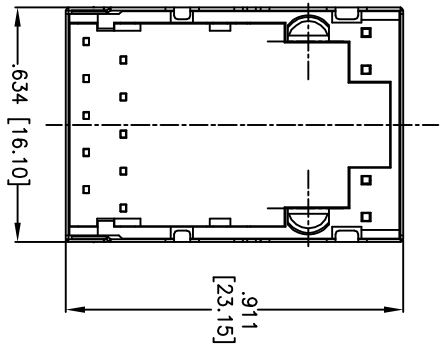
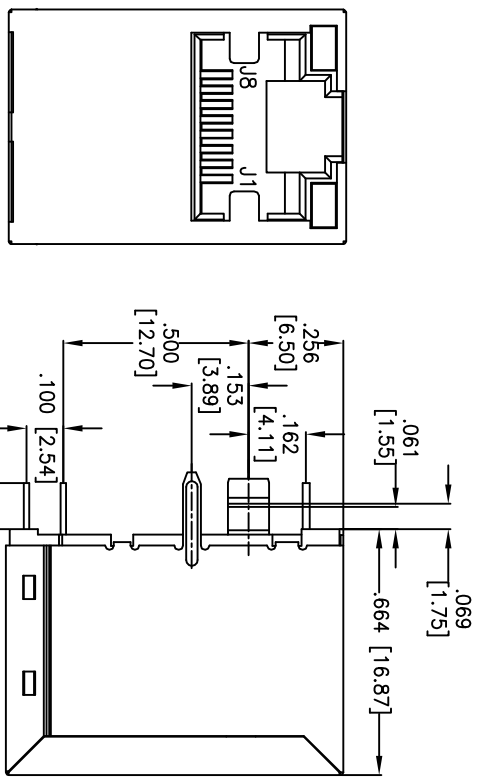


Rev	AWO #	Description	Date	Appr
-		RELEASED	12/09/10	

APPROVED: _____
 DATE: _____ TITLE: _____



RECOMMENDED PCB LAYOUT

X	PLATING
0	15 μin Gold
1	30 μin Gold
2	50 μin Gold

SPECIFICATIONS:

Material:

Insulator: PBT, glass reinforced, rated UL 94V-0
 Insulator color: Black

Contacts: Phosphor Bronze

Shield: Copper Alloy, Nickel plated

Contact Plating:

Gold Flash over Nickel underplate on contact area,
 Tin over Copper underplate on tails
 (See chart for thickness).

Electrical:

Operating voltage: 150 VAC max

Current rating: 1.5 Amps max

Contact Resistance: 20 mohms max, initial

Insulation resistance: 500 Mohms min @ 500 VDC

Dielectric withstanding voltage: 1000 VAC for 1 minut

Temperature Rating:

Operating temperature: -40°C to +125°C

Environmental:

Lead free, RoHS compliant.

Recommended soldering temp: 235°C for 5 sec.



UNLESS OTHERWISE SPECIFIED
 ALL DIMENSIONS ARE INCHES [MM]
 TOLERANCES: EXCEPT AS NOTED

INCHES	HOLES
.X .10	Ø.X ±.10
.XX ±.020	Ø.XXX ±.015
.XXX ±.015	Ø.XXX ±.010

APPROVALS	DATE
DRAWN	DY
CHECKED	
APPROVED	

ADAM TECH

909 Rahway Avenue, Union, NJ 07083
 Phone: 908-687-5000 Fax: 908-687-5710

TITLE: MODULAR JACK GANGED, 1 PORT, 8P8C
 W/LED1 YELLOW, LED2 GREEN

SIZE	PART NO.	REV.
X	MTJ-88TVX1-FSJ-LG-M132	-

REF:	SCALE:	SHEET	1 OF
S00005C	NIS	1	2