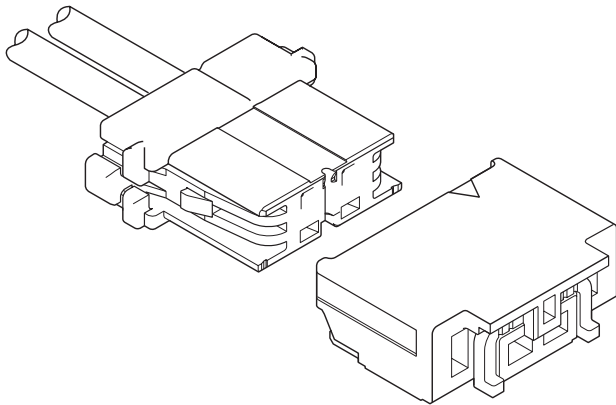


LEA CONNECTOR

1.8mm pitch/For LED Lamp/Disconnectable Crimp style connectors



Considering that the connector does not affect the luminescence angle of LED chip, this low profile type connector (height: 3mm) is designed for connection to LED lamp and realized space saving. A secure locking mechanism is arranged to this connector in order to consider the handling of wire in actual use, although this is a low profile.

- Secure locking mechanism
- Mechanism for preventing inverse insertion
- Contact lance

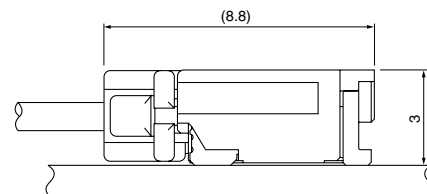
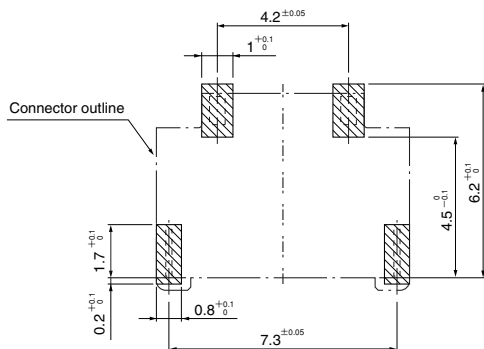
Specifications

- Current rating: 3A AC, DC (AWG #22)
- Voltage rating: 300V AC, DC
- Temperature range: -55°C to +105°C
(including temperature rise in applying electrical current)
- Contact resistance: Initial value/ 10m Ω max.
After environmental testing/ 20m Ω max.
- Insulation resistance: 1,000M Ω min.
- Withstanding voltage: 1,700V AC/minute
- Applicable wire: Conductor size/ AWG #30 to #22
Insulation O.D./ 0.7 to 1.3mm

- * Compliant with RoHS.
- * Halogen-free products are also available.
- * Refer to "General Instruction and Notice when using Terminals and Connectors" at the end of this catalog.
- * Contact JST for details.

Standards

- Ⓜ Recognized E60389
- Ⓢ Certified LR20812

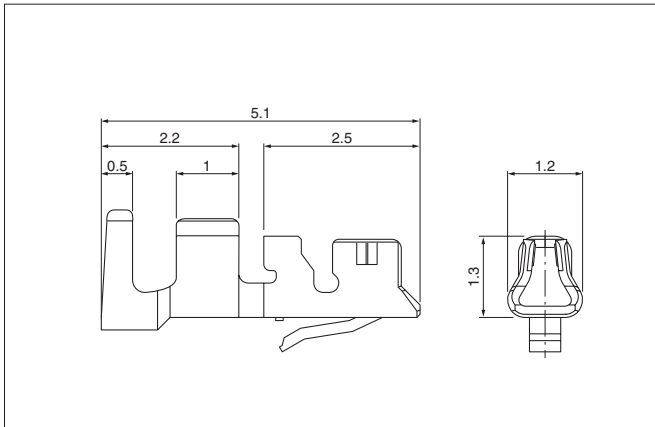


Note: 1. The above figure is the figure viewed from the connector mounting side.

2. Tolerances are non-cumulative: ±0.05mm for all centers. The dimensions above should serve as a guideline. Contact JST for details.

LEA CONNECTOR

Contact



| Model No. | Applicable wire | | | Q'ty / reel |
|-----------------------|-----------------|-------|----------------------|-------------|
| | mm ² | AWG# | Insulation O.D. (mm) | |
| SSFH-001T-P0.5 | 0.13~0.33 | 26~22 | 0.95~1.3 | 15,000 |
| SSFH-002T-P0.5 | 0.05~0.13 | 30~26 | 0.7~1.25 | 15,000 |

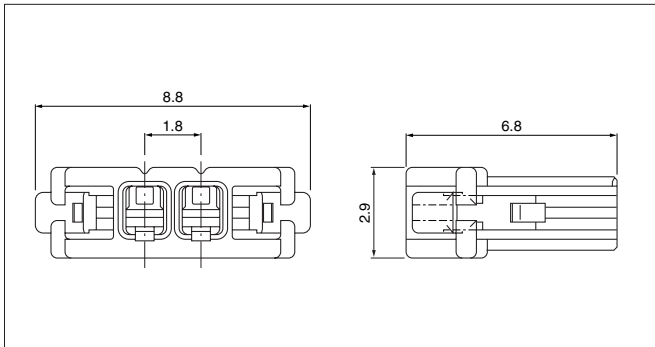
Material and Finish

Copper alloy, tin-plated (reflow treatment)

RoHS compliance

| Contact | Crimping machine | Applicator | | |
|-----------------------|------------------|------------------|----------------|----------------------------|
| | | Crimp applicator | Dies | Crimp applicator with dies |
| SSFH-001T-P0.5 | AP-K2N | MKS-L | MK/SSFH-001-05 | APLMK SSFH001-05 |
| | | — | — | — |
| SSFH-002T-P0.5 | AP-K2N | MKS-L | MK/SSFH-002-05 | APLMK SSFH002-05 |
| | | — | — | — |

Housing



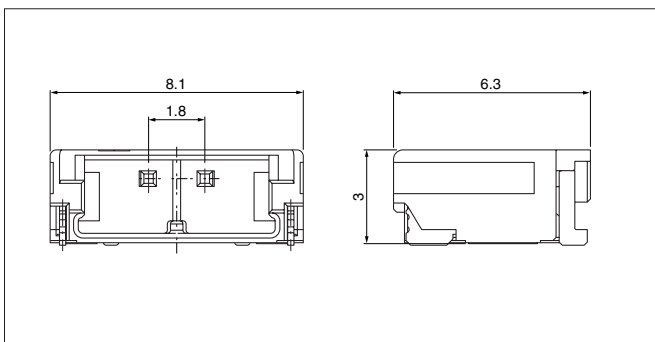
| Circuits | Model No. | Q'ty / bag |
|----------|-------------------|------------|
| 2 | LEAR-02V-S | 2,000 |

Material

PBT, UL94V-0, natural

RoHS compliance

Shrouded header



| Circuits | Model No. | Q'ty / reel |
|----------|-----------------------|-------------|
| 2 | SM02B-LEASS-TF | 2,000 |

Material and Finish

Post: Copper alloy, copper-undercoated, tin-plated (reflow treatment)
Housing: PA 9T, UL94V-0, white
Solder tab: Copper alloy, copper-undercoated, tin-plated (reflow treatment)

RoHS compliance This product displays (LF)(SN) on a label.
Note: The products listed above are supplied on embossed-tape.