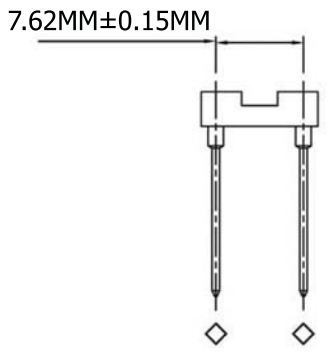
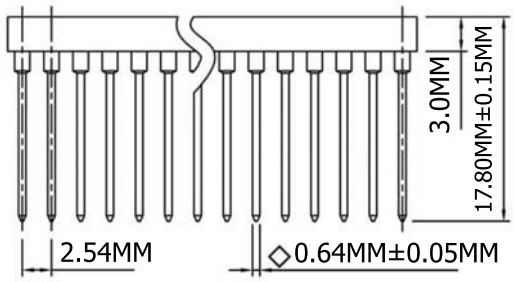
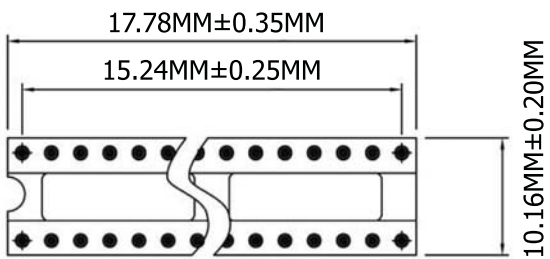
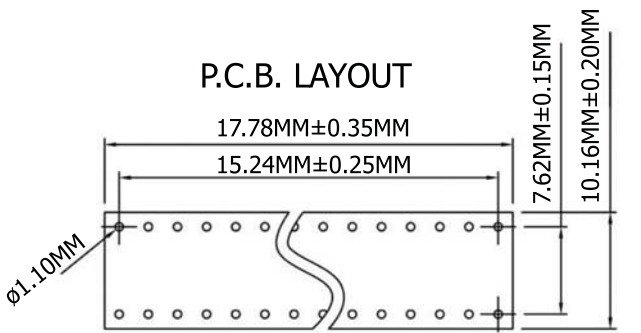


P.C.B. LAYOUT



**Materials**

Pin (outer sleeve) : Brass,machined, CuZn38Pb2  
 Clip (contact 4 finger) : Beryllium copper, heat treated or PHBZ  
 Plating (outer sleeve) : Tin plated : 2µm/80µ"nickel,5µm/200µ" Tin  
 Plating clip (contact): 2µm/80µ"nickel, Gold  
 Insulator body (black) : Glass filled thermoplastic polyester UL94V-0

**Electrical**

Current rating : 3 Amps/contact max.  
 Contact resistance : Max 4mΩ  
 Insulation resistance : Min 10,000mΩ @ 500 V AC  
 Operating Voltage : 100 VRMS / 150 V AC

**Mechanical**

Operating temperature : Tin plated: -40°C to +105°C  
 Average insertion force with steel pin of: 0.43mm/0.017" < 250g  
 Average withdrawal force with steel pin of: 0.43mm/0.017" >50g  
 Mechanical life : min.200  
 Packaging: Tube



Scale	1:1							Name
TOLERANCE						Drawn	11.02.11	Chappell
X.X	±0.40					Approved		
X.XX	±0.25							
X.XXX	±0.15							
Angle	±3°							
Modification					Date	Name		

Item No.		<b>AR14-HZW/T-R</b>
Title		
Drawing No.		<b>rev00</b>
Replace	Sheet	