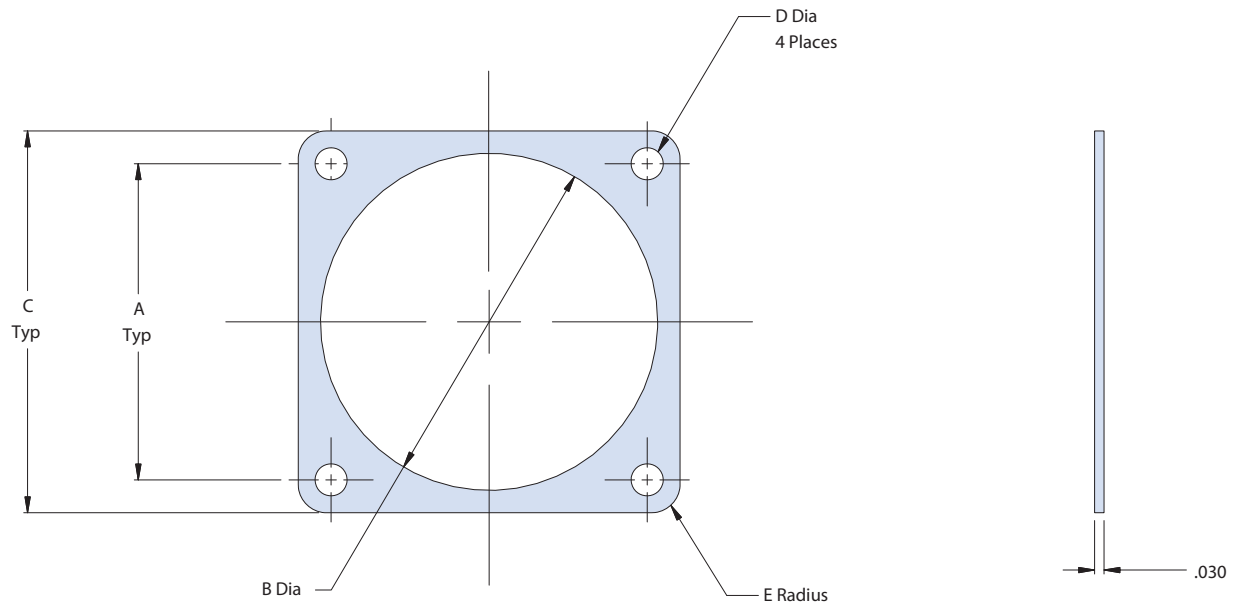


**249-002**  
**Conductive O-Ring**  
for D38999 Wall Mount Receptacles

**CONDUCTIVE O-RING FOR D38999 WALL MOUNT RECEPTACLES**

How To Order			
Sample Part Number	249-002	-09	-H
Conductive O-Ring	for D38999 Wall Mount Receptacles		
Dash No.	See Table I		
Material	See Table II		



**Notes**

1. Parts of the same dash number to be packaged in bulk and identified by bag and tag.

Dimensions in inches (millimeters) and are subject to change without notice.

**249-002**  
**Conductive O-Ring**  
**for D38999 Wall Mount Receptacles**



Table I: Dash No.					
Dash Number	A ± .005 (.13)	Ø B ± .007 (.18)	C ± .008 (.20)	Ø D ± .005 (.13)	E Radius ± .015 (.38)
-09	0.719 (18.3)	0.687 (17.4)	0.937 (23.8)	0.125 (3.2)	0.105 (2.7)
-11	0.812 (20.6)	0.772 (19.6)	1.031 (26.2)	0.125 (3.2)	0.105 (2.7)
-13	0.906 (23.0)	0.937 (23.8)	1.125 (28.6)	0.125 (3.2)	0.105 (2.7)
-15	0.969 (24.6)	1.063 (27.0)	1.250 (31.8)	0.125 (3.2)	0.135 (3.4)
-17	1.062 (27.0)	1.187 (30.1)	1.343 (34.1)	0.125 (3.2)	0.135 (3.4)
-19	1.156 (29.4)	1.312 (33.3)	1.467 (37.3)	0.125 (3.2)	0.135 (3.4)
-21	1.250 (31.8)	1.437 (36.5)	1.652 (42.0)	0.125 (3.2)	0.135 (3.4)
-23	1.375 (34.9)	1.562 (39.7)	1.703 (43.3)	0.152 (3.9)	0.135 (3.4)
-25	1.500 (38.1)	1.600 (40.6)	1.812 (46.0)	0.152 (3.9)	0.135 (3.4)

Table II: Material	
Designator	Material
C	Passivated Silver Plated Aluminum Filled Fluorosilicone per MIL-DTL-83528, Type "D" (CHO-SEAL 1298 or equivalent)
H	Silver Plated Copper Filled Silicone per MIL-DTL-83528, Type "A" (CHO-SEAL 1215 or equivalent)
E	Nickel Plated Graphite Filled EPDM (CHO-SEAL 6307 or equivalent)
F	Silver Plated Nickel Filled EPDM (CHO-SEAL 6435 or equivalent)

Dimensions in inches (millimeters) and are subject to change without notice.

