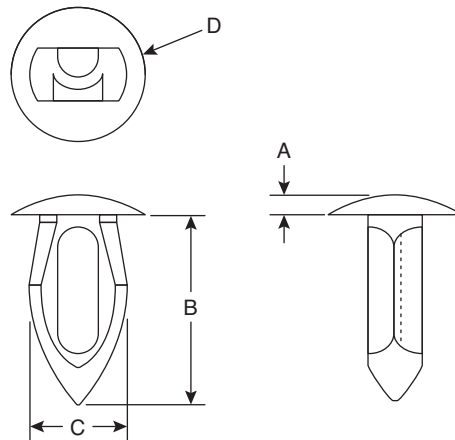


# Nylon Arrow Clips

561-AC001, 561-AC002, 561-AC003, 561-AC004, 561-AC005, 561-AC006, 561-AC007, 561-AC009, 561-AC010, 561-AC011, 561-AC012, 561-AC013, 561-AC014, 561-AC016, 561-AC017, 561-AC018, 561-AC020, 561-AC021, 561-AC023, 561-AC024

Last Revised: 12/02/09



Dimensions: in.

EPD Arrow Clips are reusable, molded nylon fasteners that feature an inexpensive fast method to hand assemble metal, wood, plastic, composition, or other thin gauge materials. The specially designed body compresses as it is forced through a prepunched hole and springs back to its original shape to lock the assembled parts securely. The versatile clips can be disassembled and reused again and again. They provide an economical, electrical, insulating, vibration, abrasion, and corrosion resistant connection.

- Molded in Natural Nylon 6/6
- RoHS Compliant

\* Flat Headstyle

Item Number	Description	Head Diameter D	Head Height A	Length B	Clip Diameter C	Hole Size	Panel Thickness Range
561-AC001	AC 1	0.360	0.060	0.400	0.225	.182 / .192	.062 / .125
561-AC002	AC 2	0.270	0.060	0.395	0.160	.131 / .135	.062 / .125
561-AC003	AC 3	0.280	0.040	0.390	0.196	.151 / .161	.062 / .125
561-AC004	AC 4	0.280	0.080	0.400	0.180	.151 / .161	.062 / .145
561-AC005	AC 5	0.370	0.060	0.540	0.248	.213 / .223	.125 / .187
561-AC006	AC 6	0.370	0.060	0.540	0.225	.182 / .192	.310 / .330
561-AC007	AC 7	0.370	0.060	0.450	0.227	.213 / .223	.062 / .125
561-AC009	AC 9	0.484	0.060	0.575	0.290	.250 / .260	.125 / .187
561-AC010	AC 10	0.100	0.020	0.125	0.068	.062 / .065	.010 / .031
561-AC011	AC 11	0.375	0.060	0.525	0.206	.182 / .192	.165 / .185
561-AC012	AC 12	0.370	0.060	0.350	0.225	.195 / .200	.035 / .065
561-AC013	AC 13	0.270	0.070	0.310	0.162	.130 / .132	.125 / .140
561-AC014	AC 14	0.270	0.070	0.530	0.196	.145 / .150	.290 / .300
561-AC016	AC 16	0.615	0.065	0.810	0.286	.250 / .260	.360 / .380
*561-AC017	AC 17	0.683	0.070	0.900	0.375	.320 / .335	.062 / .340
561-AC018	AC 18	0.280	0.080	0.400	0.186	.160 / .165	.032 / .125
561-AC020	AC 20	0.270	0.040	0.330	0.140	.120 / .135	.062 / .125
*561-AC021	AC 21	0.500	0.050	0.630	0.280	.250 / .260	.125 / .250
561-AC023	AC 23	0.866	0.050	0.450	0.363	.335 / .345	.062 / .140
561-AC024	AC 24	0.610	0.068	1.135	0.287	.250 / .260	.500 / .750

Available from Mouser Electronics  
1-800-346-6873 / www.mouser.com

EPD-200810

# Mouser Electronics

Authorized Distributor

Click to View Pricing, Inventory, Delivery & Lifecycle Information:

## Eagle Plastic Devices:

[561-AC002](#) [561-AC016](#) [561-AC012](#) [561-AC013](#) [561-AC011](#) [561-AC014](#) [561-AC010](#) [561-AC018](#) [561-AC017](#)  
[561-AC006](#) [561-AC023](#) [561-AC024](#) [561-AC004](#) [561-AC001](#) [561-AC009](#) [561-AC020](#) [561-AC021](#) [561-AC003](#) [561-AC005](#) [561-AC007](#)