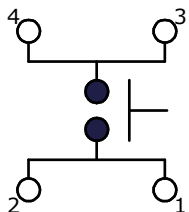
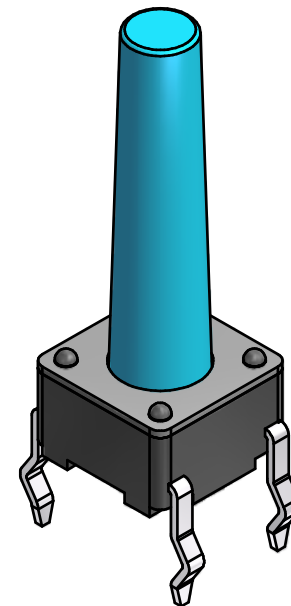
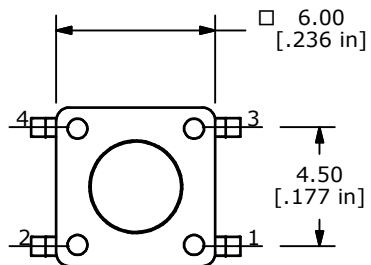
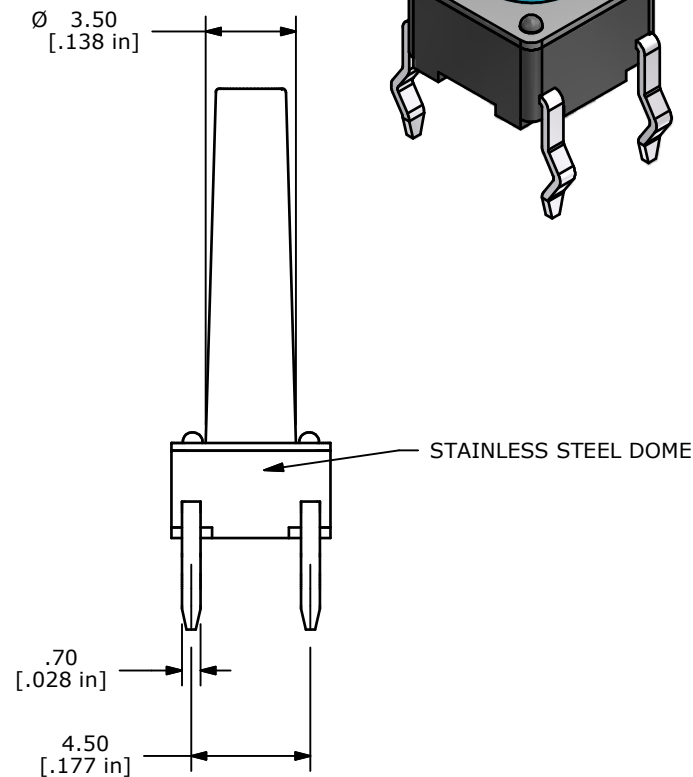
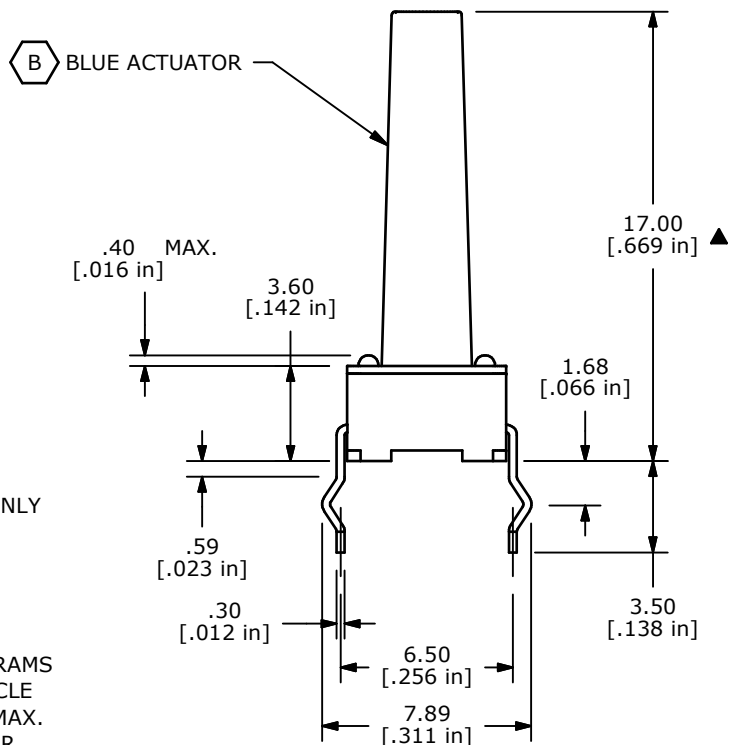


P.C.B. MOUNTING



CIRCUIT: SPST



NOTES:

1. ALL DIMENSIONS IN MM [INCH]
2. TERMINAL NUMBERS FOR REF. ONLY
3. TOLERANCE: X.X±0.4
X.XX±0.25
- ▲4. CONTACT MATERIAL: SILVER
5. RATING: 12VDC @ 50mA
6. TRAVEL: 0.25 +0.2/-0.1mm
- ▲7. OPERATING FORCE: 100 ± 50 GRAMS
8. ELECTRICAL LIFE: 1,000,000 CYCLE
9. CONTACT RESISTANCE: 50mΩ MAX.
10. ▲ DENOTES CRITICAL PARAMETER
11. 2002/95/EC (ROHS) COMPLIANT
- ▲12. PACKAGING: 750 PIECES/PER POLY BAG



B	21395	ADD ACTUATOR COLOR NOTE	3/5/14	EBP
A	21320	RELEASED FOR PRODUCTION	12/16/13	EBP
REV	PCR NO	DESCRIPTION	DATE	BY

TITLE TL1105LF100QSSDOME				
SCALE	DATE	DR	DWG	REV
	12/16/2013	EBP	P010051	B

THE INFORMATION CONTAINED IN THIS DOCUMENT IS PROPRIETARY TO E-SWITCH AND IS NOT TO BE COPIED OR TRANSFERRED