



## ■ Features

- With constant voltage DC12V driver, safe and reliable
- Small size, light weight, easy to install
- Flexible, easy to bend, can be free to shape
- LED High brightness, light angle, light a small decline, maintenance free
- Change color temperature and brightness with controller
- Energy saving and environmental protection, long life (normal use of up to 8~10 million hours)
- IP 54 Protection level
- 2 year warranty

## ■ Application

- LED Decorative lighting
- LED Lighting modeling
- Signs and signs

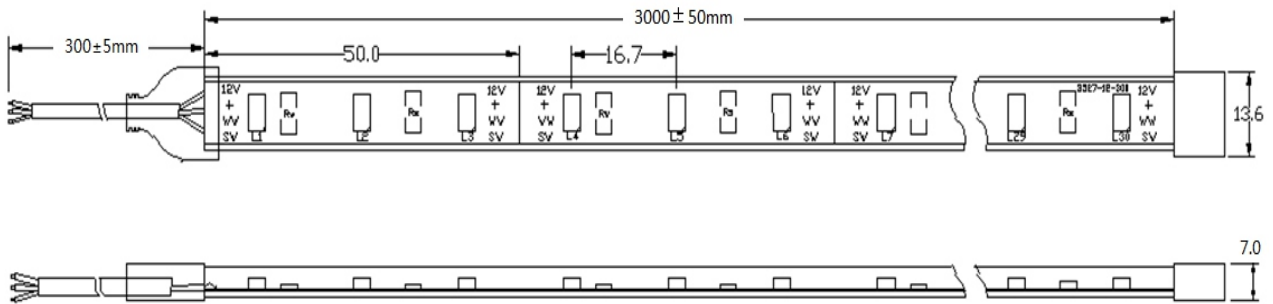
## ■ Description

This product is made by FPC flexible PCB as a substrate. It is made covering the PCB with silicone tube, has a greater protection for the LEDs, and with moisture-proof function. Easy installation and configuration, convenient transportation, anti UV. Using 3527 "twocolor" LED as light source. It can change color temperature and brightness with controller. And that can be illuminated objects display more vivid and delicate, true color effect.

## SPECIFICATION

Model	IRL-CL2-01
Product specifications	3000×12×5mm
Color	Standard white~Warm white
Luminous angle	120°
LED Package	3527(two color )
LEDs	60LED/M
Luminous flux	580lm/M
Wavelength or Color temperature	SW:5700-6500K WW:2900-3200K
Rated working voltage	DC12V
Rated input power	7.2W/M
Working temperature	-20°C~ +45°C
IP level	IP 65
Packing	0.11Kg,40pcs/8.5Kg/44x40x26cm
NOTE : The luminous flux is allowed to float with + 10%.	

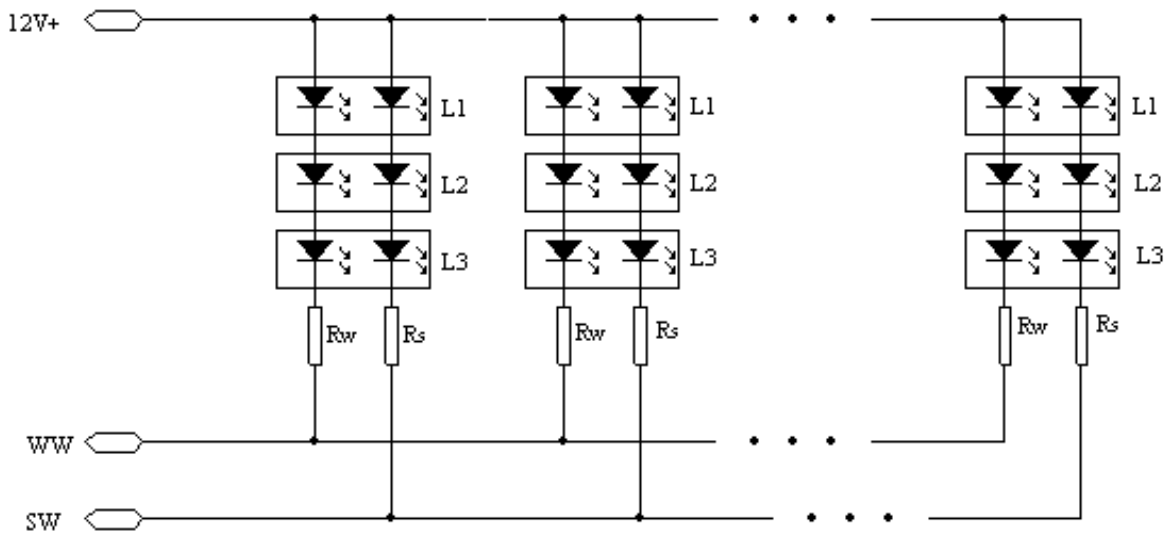
## ■ Mechanical Specification



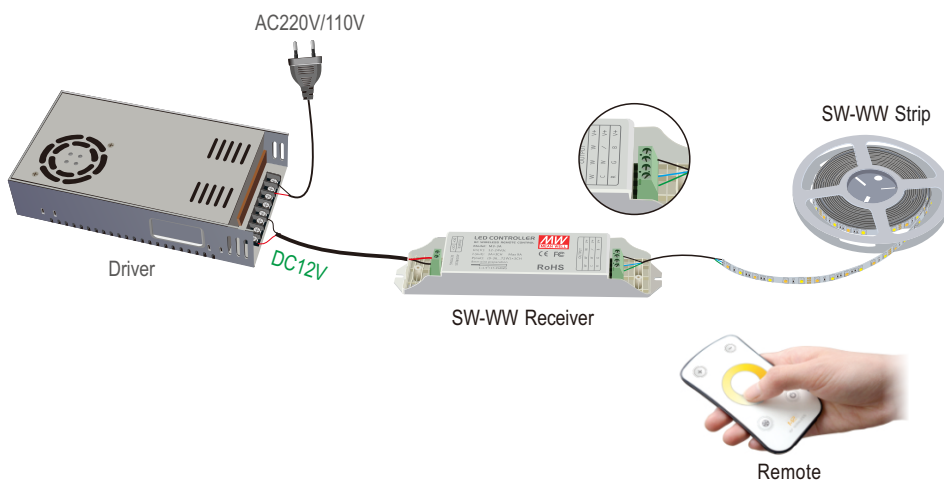
Remarks:

- (1) Above all dimensions of the unit is mm;
- (2) Without special mark, the normal size error is: Size  $\geq 5$ mm error  $\pm 0.5$ mm, Size  $< 5$ mm error  $\pm 0.05$ mm

## ■ The Circuit Principle Diagram



## ■ Connection



### ■ Cautions

- In order to guarantee that the LED life and the use environment, cannot make any force when the product lighting use to pull the power cables, forbids to collide, in order to avoid damages LED.
- For can better lighting effect of the product, each 5 meter long strip must connect the main power source.
- Must guarantee that each power source (GND) must connect.
- Should not be curving in the diameter 60mm following radian, please do not rebate, in order to avoid damage lamp bead or break.
- Please follow the user manual for installation.

### ■ Waring

- Please note the careful operation, in the power source connection's situation, will touch the alternating current supply end possibly to cause your safety.
- In the actual application, the power source should retain 20% remainders, guaranteed that the sufficiency the voltage lightens LED.
- Installs as far as possible the product in the appropriate environment.
- Pays attention to the power cable in the installment process positive and negative extremely, please do not wrong, power source and product voltage to be whether correct, in order to avoid creates the product the damage.