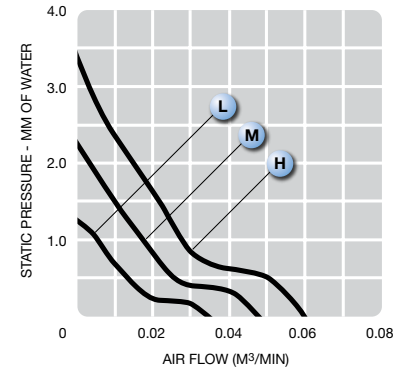
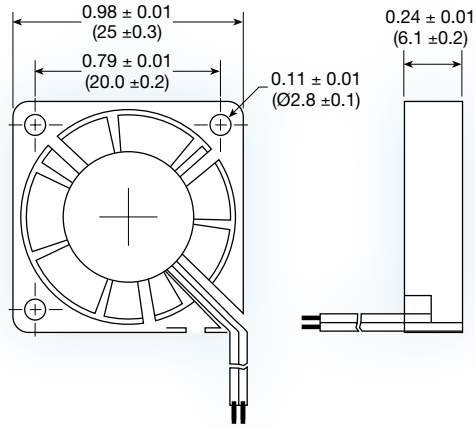


# MA2506 series



**(25 x 25 x 6.1 mm)**

0.98 x 0.98 x 0.24 inches

Construction: UL94V-0 PBT impeller & frame

Bearing option: ball bearing or sleeve

Connection: AWG 30, UL1007 lead wires

Frame: ribbed

Protection: thermal

Options: tachometer output signal

| Model No.      | Rated Voltage<br>V | Operating Voltage<br>V | Current<br>mA | Speed<br>RPM | Air Volume           |      | Max. Static Pressure (H <sub>2</sub> O) |      | Sound Noise<br>dBa | Weight<br>g |
|----------------|--------------------|------------------------|---------------|--------------|----------------------|------|---|------|--------------------|-------------|
|                |                    |                        |               |              | M <sup>3</sup> /Min. | CFM  | MM                                      | INCH |                    |             |
| <b>MA2506L</b> | 5                  | 3 - 6.5                | 50            | 6,500        | 0.03                 | 1.22 | 1.25                                    | 0.05 | 11.0               | 8           |
| <b>MA2506M</b> | 5                  | 3 - 6.5                | 60            | 8,500        | 0.05                 | 1.65 | 2.30                                    | 0.09 | 19.0               | 8           |
| <b>MA2506H</b> | 5                  | 3 - 6.5                | 70            | 10,500       | 0.06                 | 2.08 | 3.37                                    | 0.13 | 25.5               | 8           |