

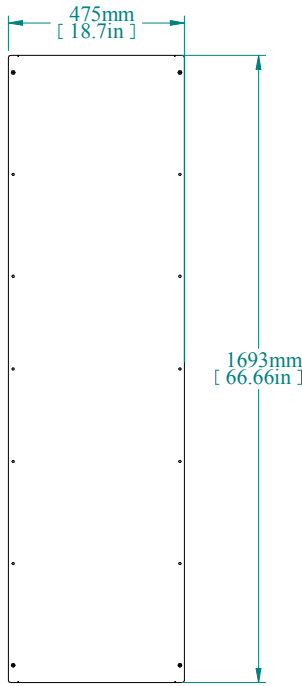
REAR VIEW



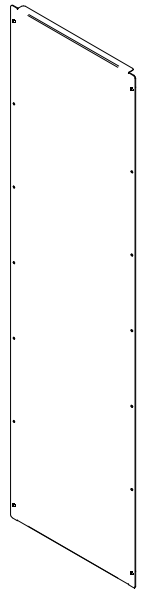
L.S VIEW



TOP VIEW



FRONT VIEW



ISOMETRIC VIEW

PART NUMBERS	
HSBP186	14 GAUGE GALVANIZED STEEL

NOTES
Unpainted Full height and depth panel creating a full barrier between cells Hammond Website for Additional Accessories

Data subject to change without notice. Isometric drawing not to scale.



**HAMMOND  
MANUFACTURING™**  
www.hammondmfg.com  
PART NO. HSBP186