



# ASP-AUTO-T

## Restrike System for use with Electronic HID Ballasts

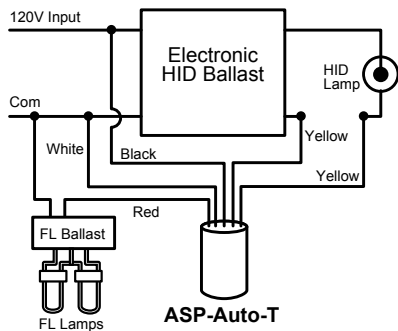
### Features

- For use with electronic HID Ballasts and universal voltage (120-277V) fluorescent ballasts. (Not for use with magnetic ballasts)
- Compact and simple to wire
- Measures the current drawn by the HID circuit rather than voltage across the circuit allowing use with virtually any type of lamp or ballast circuit
- Operates on HID circuits from 39-450 watts
- Operates fluorescent systems up to 250W. Fluorescent Ballast must also be Universal Voltage to work with this system.
- Non-arcing switches allow the ASP-AUTO-T to be used in Class 1, Division II vapor tight fixtures
- High temperature, flameproof plastic enclosure, 90°C maximum surface temp rating
- Timed Version keeps Lamp illuminated for 2-3 minutes until HID lamp reaches 25-50% brightness
- Patented Design

The ASP-AUTO is a auxiliary lighting control that incorporates a current sense circuit that automatically drives a fluorescent ballast when the main HID lamp is extinguished. It has a built-in timer to keep the auxiliary lamp on for 2-3 minutes during the HID lamp warmup period.

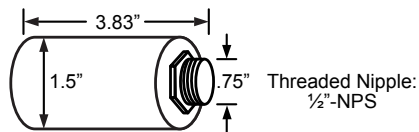


### Wiring



### Dimensions

12" leads, stripped 0.63"



★ **MADE IN USA** ★  
Of Imported And Domestic Components



Specifications subject to change without notice.

Rev 7-15-14