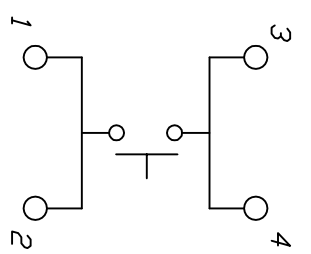
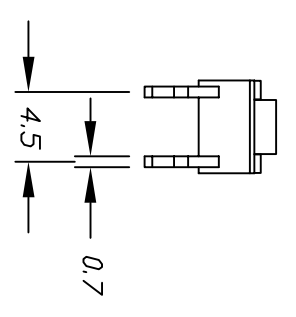
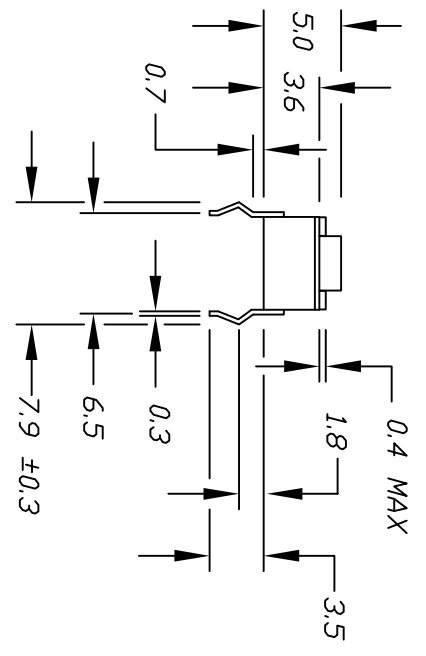


P.C.B. MOUNTING HOLES



CONTACT CONFIGURATION

NOTES:

1. ALL DIMENSIONS IN MM
2. TERM. NDS. FOR REF ONLY
3. 2002/95/EC (ROHS) COMPLIANT

REV. A		RELEASED FOR PRODUCTION		DATE		CHKD	
REV.		DESCRIPTION		DATE		CHKD	
<p>THE INFORMATION CONTAINED IN THIS DOCUMENT IS PROPRIETARY TO E-SWITCH AND IS NOT TO BE COPIED OR TRANSFERRED</p>							
TOLERANCES							
0.0	±0.4						
0.00	±0.25						
SCALE		TITLE		DATE		DR	
2:1		TL 1105 A-F160-R		2/6/96		MM	
		E-SWITCH®				LAMB INDUSTRIES	
						DWG	
						P060002	
						REV	
						A	