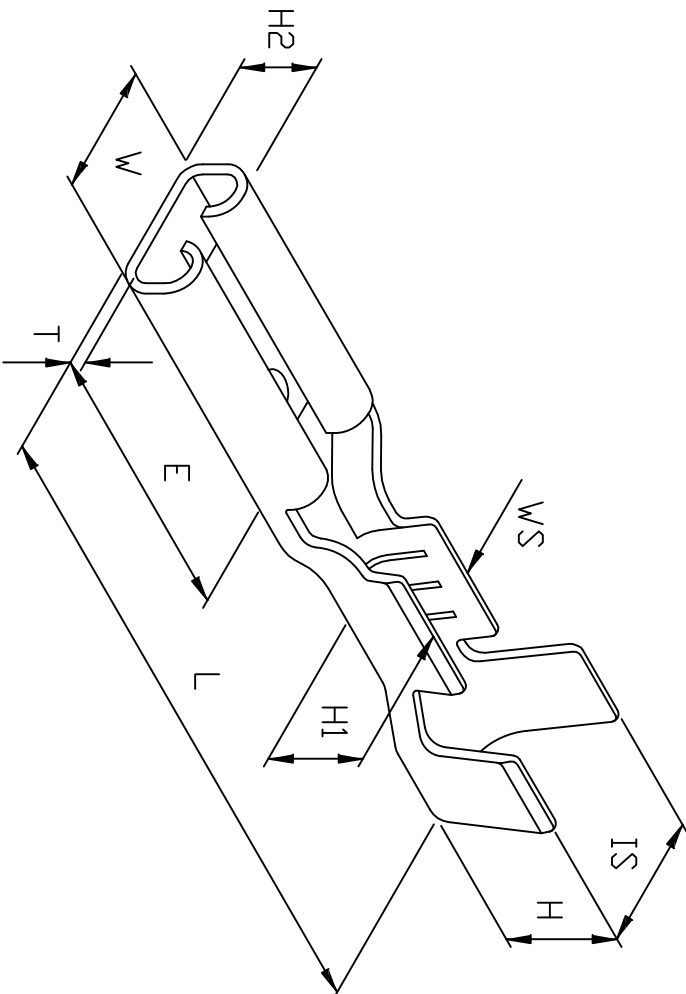


Rev	AWO #	Description	Date	Appr
-		RELEASED	10/20/10	

APPROVED: \_\_\_\_\_  
 DATE: \_\_\_\_\_ TITLE: \_\_\_\_\_



	inch	mm
T	.010	0.25
L	.614	15.60
E	.252	6.40
W	.150	3.80
IS	.148	3.75
WS	.094	2.40
H	.157	4.00
H1	.110	2.80
H2	.073	1.85

**SPECIFICATIONS:**

**Material:**  
 Terminal: Brass, Tin plated  
 Thickness: 0.25mm  
 Wire Range: AWG#16~22  
 Insulation O.D.: 2.3mm max.  
**Electrical:**  
 Voltage rating: AC,DC,250V  
 Current rating: AC,DC,10A  
 Temperature range: -25°C to +85°C  
 Environmental:  
 Lead free, ROHS compliant.



UNLESS OTHERWISE SPECIFIED  
 ALL DIMENSIONS ARE INCHES [MM]  
 TOLERANCES: EXCEPT AS NOTED

INCHES	HOLDERS
.X ± .10	ØX ± .10
.XX ± .020	ØXX ± .015
.XXX ± .015	ØXXX ± .010

APPROVALS

DATE	DATE
DRAWN DY	10/20/10
CHECKED	
APPROVED	

**ADAM TECH**  
 909 Railway Avenue, Union, NJ 07083  
 Phone: 908-687-5000 Fax: 908-687-5710

TITLE: .094" QUICK DISCONNECT TERMINAL

SIZE	PART NO.	REV.
X	25QD-.094/.614-22/16	-

REF: S00137T SCALE: NTS SHEET 1 OF 1