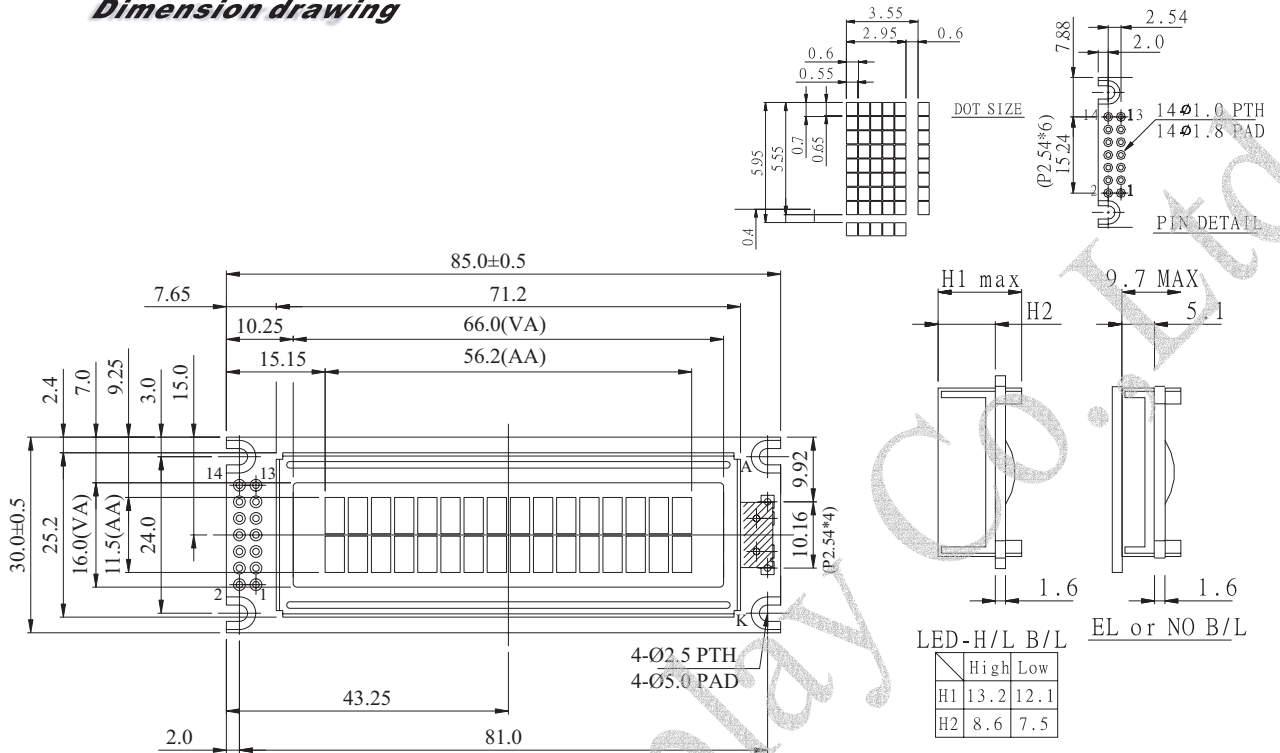


WH1602D Character 16x2

Dimension drawing



Character type

Feature

1. 5x8 dots includes cursor
2. Built-in controller (KS 0066 or Equivalent)
3. +5V power supply
4. 1/16 duty cycle
5. LED can be driven by pin1, pin2, or A and K
6. Optional: smaller character size (2.95x4.35mm)

Mechanical Data

Item	Standard Value	Unit
Module Dimension	85.0x30.0	mm
Viewing Area	66.0x16.0	mm
Mounting hole	81.0 x 24.0	mm
Character Size	2.96x5.56	mm

Pin NO.	Symbol	Function
1	Vdd	Power supply(+5V)
2	Vss	GND
3	Vo	Contrast Adjustment
4	RS	H/L Register select signal
5	R/W	H/L Read / write signal
6	E	H→L Enable signal
7	DB0	H/L Data bus line
8	DB1	H/L Data bus line
9	DB2	H/L Data bus line
10	DB3	H/L Data bus line
11	DB4	H/L Data bus line
12	DB5	H/L Data bus line
13	DB6	H/L Data bus line
14	DB7	H/L Data bus line

Absolute Maximum Rating

Item	Symbol	Standard Value			Unit
		min.	typ.	max.	
Power Supply	VDD-VSS	-0.3	---	7.0	V
Input Voltage	VI	-0.3	---	VDD	V

Note : VSS=0 Volt, VDD=5.0 Volt.

Electronical Characteristics

Item	Symbol	Condition	Standard Value			Unit	
			min.	typ.	max.		
Input Voltage	VDD	VDD=+5V	4.7	5.0	5.3	V	
Supply Current	IDD	VDD=5V	---	1.2	1.5	mA	
Recommended LC Driving Voltage for Normal Temp. Version module	VDD-V0	-20°C	---	---	5.2	V	
		0°C	---	---	4.2		
		25°C	---	3.8	---		
		50°C	3.5	---	---		
LED Forward Voltage	VF	25°C	---	4.2	4.6	V	
LED Forward Current	IF	25°C	Array	---	100	---	mA
			Edge	---	20	40	
LED Power Supply Current	IEL	VeI=110VAC;400Hz	---	---	5.0	mA	

Display Character Address Code :

Display position	1	2	3	4	5	6	7	8	9	10	11	12	13	14	15	16
DD RAM Address	00	01														0F
DD RAM Address	40	41														4F

	2	4	6	8	10						
W	H	16	02	B	—	Y	G	B	—	JP	**
1		3		5		7				9	

NO	Code value	Description	Remark							
1	W	WINSTAR products	Winstar Display							
2	H,G,X,O	H:Character ; G: Graphic ; X:TAB;O:COG	LCM type							
3	08,16,20,24. ...	Words per line	Character							
	122,128,240...	Row dots	Graphic							
4	01,02,04,...	Lines	Character							
	32,64,128...	Column dots	Graphic							
5	A~Z	Serials number	Model name							
6	N	Without backlight	Backlight type							
	B	EL backlight , Blue								
	D	EL backlight , Green								
	W	EL backlight , White								
	Y	LED backlight , Yellow-Green								
	A	LED backlight , Amber								
	R	LED backlight , Red								
	G	LED backlight , Green								
	T	LED backlight , White								
	P	LED backlight , Blue								
	F	CCFL backlight , White								
7	B	STN positive , Gray	LCD type							
	N	TN negative , Black								
	G	STN positive , Gray								
	Y	STN positive Yellow-Green								
	M	STN negative , Blue								
	F	FSTN positive White								
	T	FSTN negative , Black								
	E	ISTN negative								
8	Temperature	Normal temp,				Wide temp,				Polarizer type/ Temperature range/ View direction
	View angle	6:00	12:00	3:00	9:00	6:00	12:00	3:00	9:00	
	Reflective	A	D	M	P	G	J	S	V	
	Transflective	B	E	N	Q	H	K	T	W	
	Transmissive	C	F	O	R	I	L	U	X	
9	Character						Graphic			
	English/ Japanese European	English/ Japanese	English/ Europe	English/ Europe	English/ Cyrillic	English/ Hebrew	Negative Voltage	Without Negative Voltage	Temperature Compensation	
	JW	JP, JT	EP,ET	EC,ES	CP,CT	H2	V	N	T	
10	**	Special Code							Touch panel, Backlight	