



# TEA1733CT

## GreenChip SMPS control IC

Rev. 2 — 16 July 2013

Product data sheet

## 1. General description

---

The TEA1733CT is a low cost Switched Mode Power Supply (SMPS) controller IC intended for flyback topologies. It operates in fixed frequency mode. To reduce ElectroMagnetic Interference (EMI), frequency jitter has been implemented. Slope compensation is integrated for Continuous Conduction Mode (CCM) operation.

The TEA1733CT includes OverPower Protection (OPP). This enables the controller to operate under overpower situations for a limited amount of time.

Two pins, VINSENSE and PROTECT, are reserved for protection purposes. Input UnderVoltage Protection (UVP) and OverVoltage Protection (OVP), output OVP and OverTemperature Protection (OTP) can be implemented using a minimal number of external components.

At low power levels the primary peak current is set to 25 % of the maximum peak current and the switching frequency is reduced to limit switching losses. The combination of fixed frequency operation at high output power and frequency reduction at low output power provides high-efficiency over the total load range.

The TEA1733CT enables low cost, highly efficient and reliable supplies for power requirements up to 75 W to be designed easily and with a minimum number of external components.

## 2. Features and benefits

---

### 2.1 Features

- SMPS controller IC enabling low-cost applications
- Large input voltage range (12 V to 30 V)
- Very low supply current during start-up and restart (typically 10  $\mu$ A)
- Low supply current during normal operation (typically 0.5 mA without load)
- Overpower or high/low line compensation
- Adjustable overpower time-out
- Adjustable overpower restart timer
- Fixed switching frequency with frequency jitter to reduce EMI
- Frequency reduction with fixed minimum peak current to maintain high-efficiency at low output power levels
- Slope compensation for CCM operation
- Low and adjustable OverCurrent Protection (OCP) trip level



- Adjustable soft start operation
- Two protection inputs (for example: for input UVP and OVP, OTP and output OVP)
- IC overtemperature protection

### 3. Applications

- All applications requiring efficient and cost-effective power supply solutions up to 75 W.

### 4. Ordering information

Table 1. Ordering information

Type number	Package		
	Name	Description	Version
TEA1733CT	SO8	plastic small outline package; 8 leads; body width 3.9 mm	SOT96-1

5. Block diagram

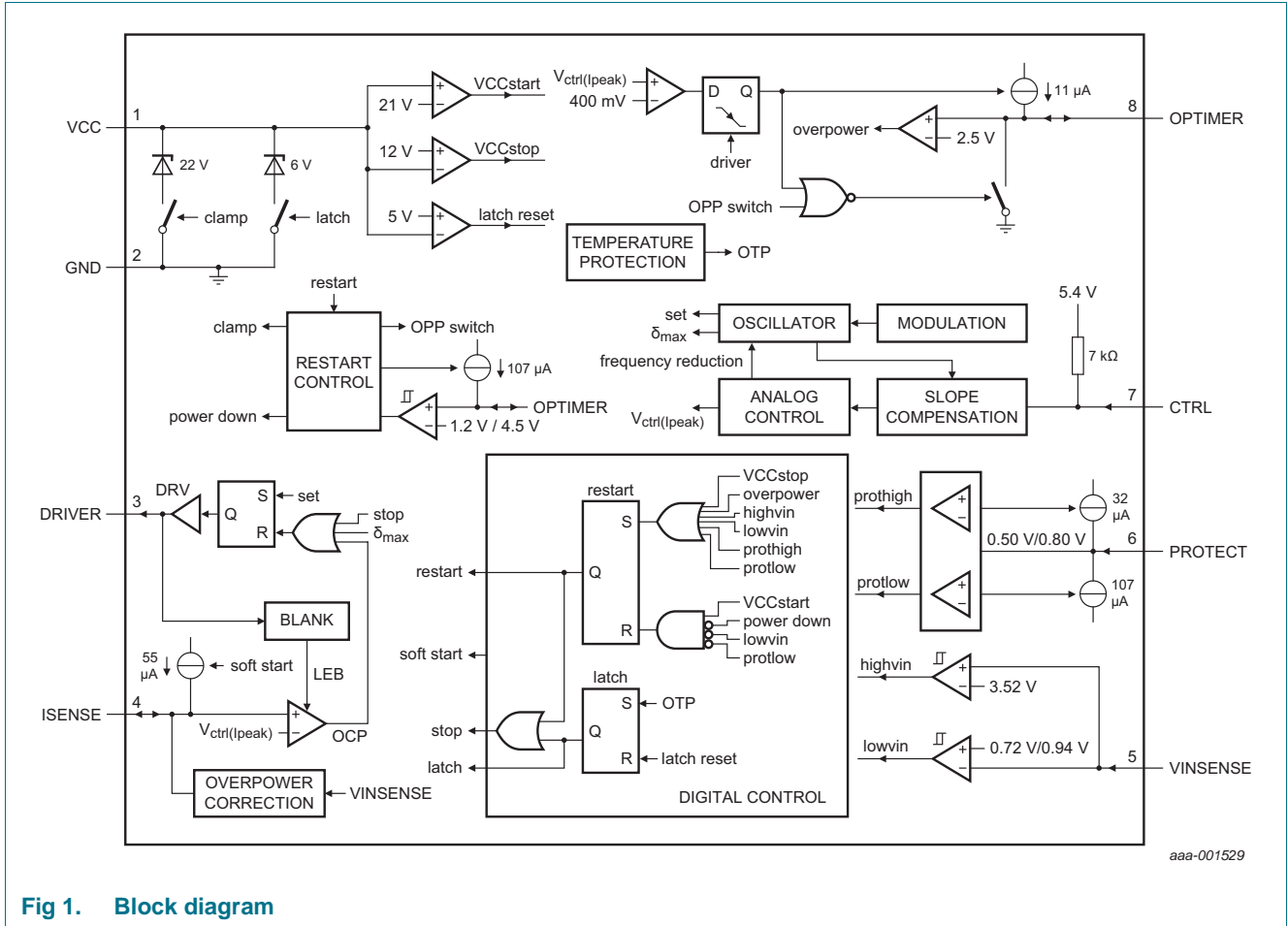


Fig 1. Block diagram

## 6. Pinning information

### 6.1 Pinning

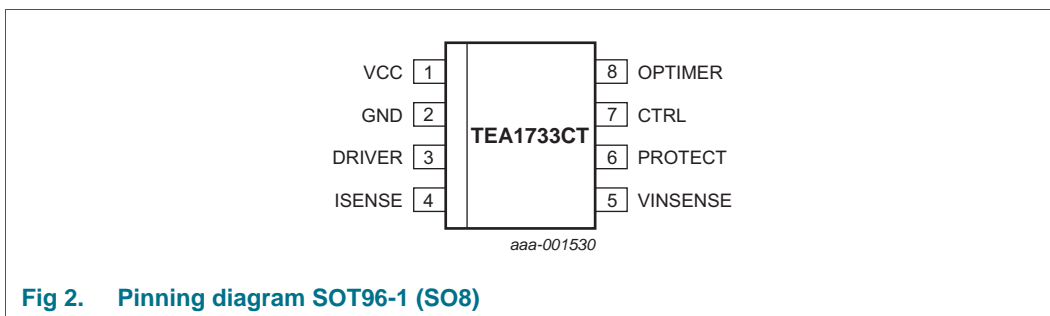


Fig 2. Pinning diagram SOT96-1 (SO8)

### 6.2 Pin description

Table 2. Pin description

Symbol	Pin	Description
VCC	1	supply voltage
GND	2	ground
DRIVER	3	gate driver output
ISENSE	4	current sense input
VINSENSE	5	input voltage protection input
PROTECT	6	general-purpose protection input
CTRL	7	control input
OPTIMER	8	overpower and restart timer

## 7. Functional description

### 7.1 General control

The TEA1733CT contains a flyback circuit controller, a typical configuration of which is shown in [Figure 3](#).

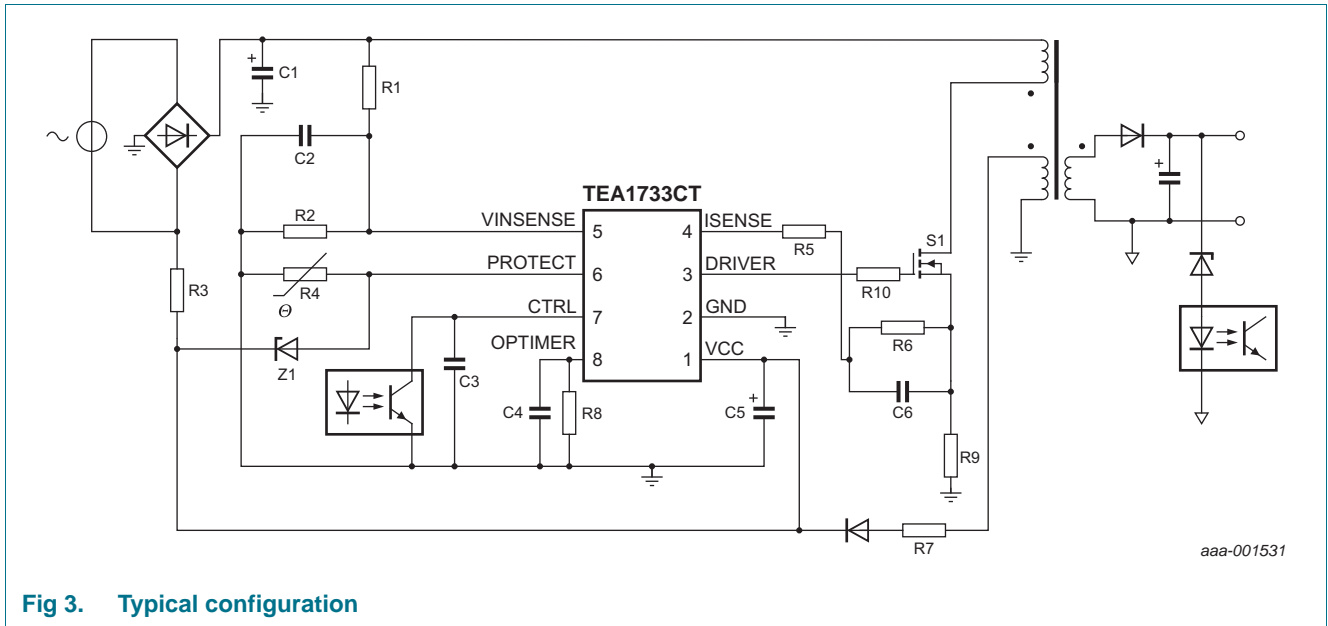


Fig 3. Typical configuration

### 7.2 Start-up and UnderVoltage LockOut (UVLO)

Initially, the capacitor on the VCC pin is charged from the high-voltage mains via resistor R3.

If  $V_{CC}$  is lower than  $V_{start-up}$ , the IC current consumption is low (typically 10  $\mu$ A). When  $V_{CC}$  reaches  $V_{start-up}$ , the IC first waits for the VINSENSE pin to reach the  $V_{start(VINSENSE)}$  voltage and PROTECT pin to reach the  $V_{det(L)(PROTECT)}$  voltage. When both levels are reached, the IC charges the ISENSE pin to the  $V_{start(soft)}$  level and starts switching. In a typical application, the auxiliary winding of the transformer takes over the supply voltage.

If a protection is triggered the controller stops switching. Depending on the protection triggered, the protection causes a restart or latches the converter to an off-state.

A restart caused by a protection rapidly charges the OPTIMER pin to 4.5 V (typical). The TEA1733CT enters Power-down mode until the OPTIMER pin discharges down to 1.2 V (typical). In Power-down mode, the IC consumes a very low supply current (10  $\mu$ A typical) and the VCC pin is clamped at 22 V (typical) by an internal clamp circuit. When the voltage on pin OPTIMER drops below 1.2 V (typical) and the VCC pin voltage is above the VCC start-up voltage (See [Figure 4](#)), the IC restarts.

When a latched protection is triggered, the TEA1733CT immediately enters Power-down mode. The VCC pin is clamped to a voltage just above the latch protection reset voltage ( $V_{rst(latch)} + 1$  V).

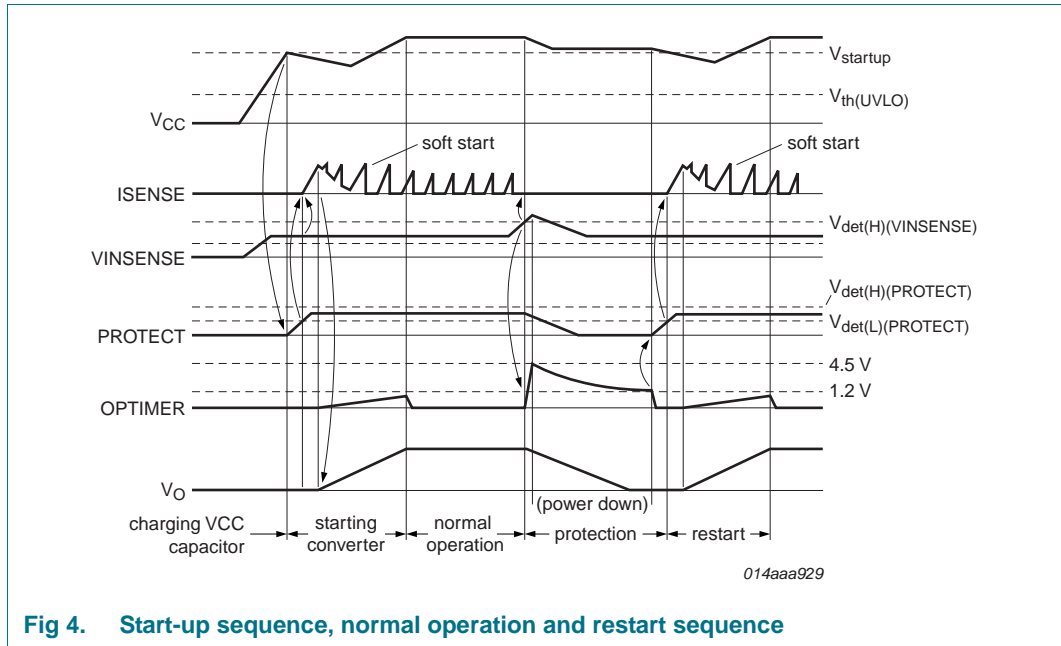


Fig 4. Start-up sequence, normal operation and restart sequence

When the voltage on pin VCC drops below the  $V_{th(UVLO)}$  level during normal operation, the controller stops switching and enters Restart mode. In Restart mode, the driver output is disabled and the VCC pin voltage is recharged via resistor R3 to the rectified mains.

### 7.3 Supply management

All internal reference voltages are derived from a temperature compensated on-chip band gap circuit. Internal reference currents are derived from a trimmed and temperature compensated current reference circuit.

### 7.4 Input voltage detection (VINSENSE pin)

In a typical application pin VINSENSE detects the mains input voltage. Switching does not take place until the voltage on VINSENSE has reached the  $V_{start(VINSENSE)}$  voltage (typically 0.94 V).

When the VINSENSE voltage drops below  $V_{det(L)(VINSENSE)}$  (typically 0.72 V) or exceeds  $V_{det(H)(VINSENSE)}$  (typically 3.52 V), the converter stops switching and performs a restart.

If pin VINSENSE is left open or disconnected, the pin is pulled up by the internal 20 nA (typical) current source to reach the  $V_{det(H)(VINSENSE)}$  level. This triggers restart protection.

An internal clamp of 5.2 V (typical) protects this pin from overvoltages.

### 7.5 Protection input (PROTECT PIN)

Pin PROTECT is a general-purpose input pin, which can be used to trigger the restart protection. The converter is stopped when the voltage on this pin is pulled above  $V_{det(H)(PROTECT)}$  (typically 0.8 V) or below  $V_{det(L)(PROTECT)}$  (typically 0.5 V). A current of 32  $\mu$ A (typical) flows out of the chip when the pin voltage is at the  $V_{det(L)(PROTECT)}$  level. A current of 107  $\mu$ A (typical) flows into the chip when the pin voltage is at the  $V_{det(H)(PROTECT)}$  level.

The PROTECT input can be used to create overvoltage detection and OTP functions.

A small capacitor can be connected to the pin if the protections on this pin are not used.

An internal clamp of 4.1 V (typical) protects this pin from overvoltages.

**7.6 Duty cycle control (CTRL pin)**

Pin CTRL regulates the output power of the converter. This pin is connected to an internal 5.4 V supply using an internal 7 kΩ resistor.

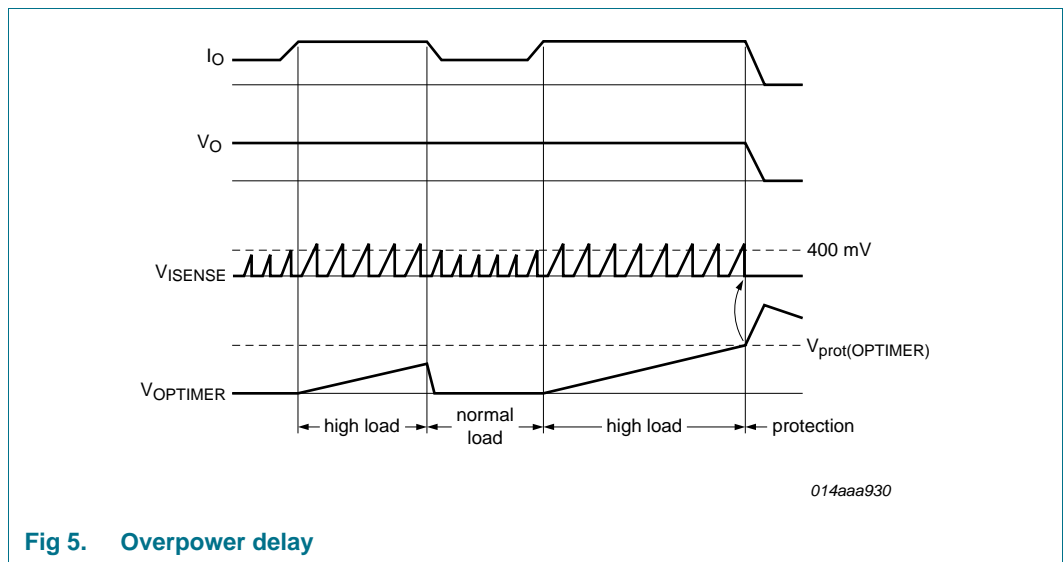
The CTRL pin voltage sets the peak current which is measured using the ISENSE pin (see Section 7.10). At a low output power the switching frequency is also reduced (see Section 7.12). The maximum duty cycle is limited to 72 % (typical).

**7.7 Slope compensation (CTRL pin)**

A slope compensation circuit is integrated in the IC for CCM. Slope compensation guarantees stable operation for duty cycles greater than 50 %.

**7.8 Overpower timer (OPTIMER pin)**

If the OPTIMER pin is connected to capacitor C4 (see Figure 3), a temporary overload situation is allowed. Pin CTRL sets  $V_{ctrl(Ipeak)}$  (see Figure 1). When  $V_{ctrl(Ipeak)}$  is above 400 mV, the  $I_{IO(OPTIMER)}$  current (11 μA typical) is sourced from the OPTIMER pin. If the voltage on the OPTIMER pin reaches the  $V_{prot(OPTIMER)}$  voltage (2.5 V typical) the OverPower Protection (OPP) is triggered (see Figure 5).



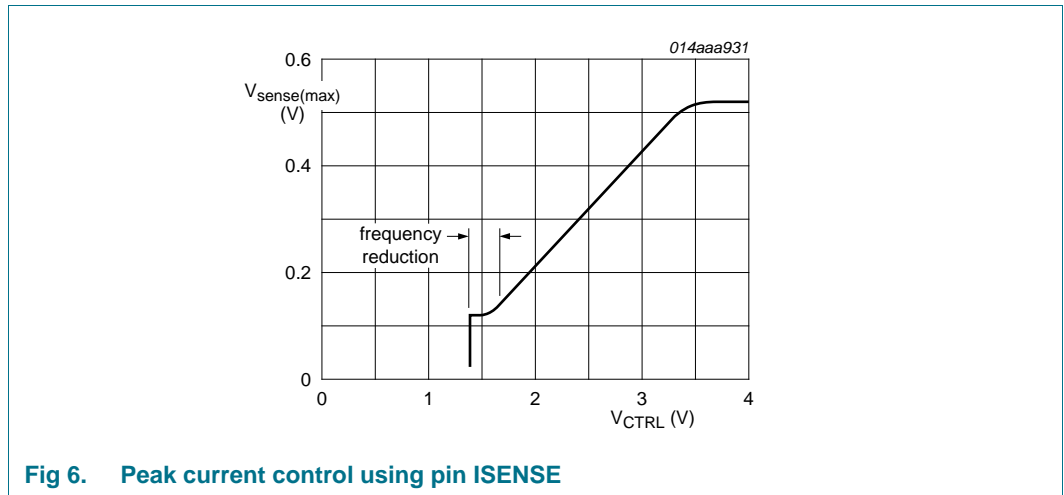
**Fig 5. Overpower delay**

When the  $V_{prot(OPTIMER)}$  voltage is reached the device restarts. If the overload is removed before the  $V_{prot(OPTIMER)}$  voltage is reached, the converter continues switching.

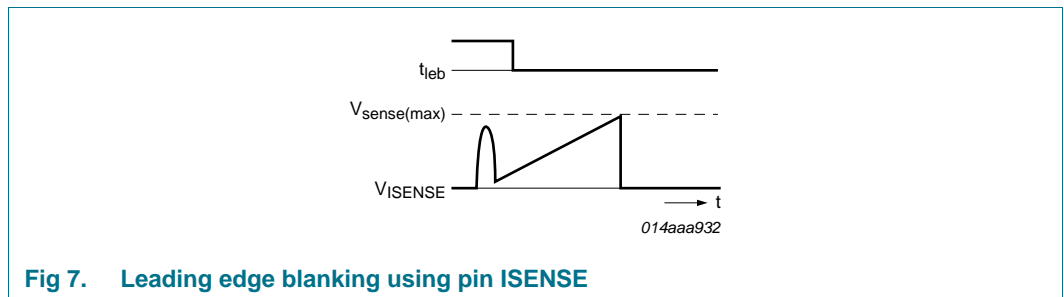
### 7.9 Current mode control (ISENSE pin)

Current mode control is used for its good line regulation.

The primary current is sensed by the ISENSE pin across an external resistor R9 (see [Figure 3](#)) and compared with an internal reference voltage. The internal reference voltage is proportional to the CTRL pin voltage (see [Figure 6](#)).



Leading edge blanking prevents false triggering due to capacitive discharge when switching on the external power switch (see [Figure 7](#)).



### 7.10 Overpower or high/low line compensation (VINSENSE and ISENSE pins)

The overpower compensation function can be used to realize a maximum output power which is nearly constant over the full input mains.

The overpower compensation circuit measures the input voltage on the VINSENSE pin and outputs a proportionally dependent current on the ISENSE pin. The DC voltage across the soft start resistor limits the maximum peak current on the current sense resistor.

At low output power levels the overpower compensation circuit is switched off (See [Figure 8](#)).



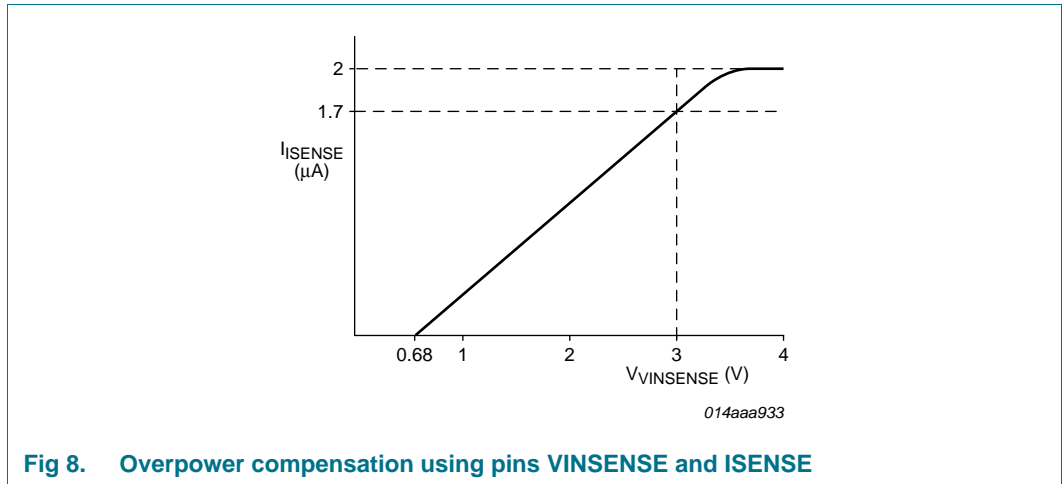


Fig 8. Overpower compensation using pins VINSENSE and ISENSE

### 7.11 Soft start-up (ISENSE pin)

To prevent audible noise during start-up or a restart condition, a soft start is made. Before the converter starts, the soft start capacitor C6 (see [Figure 3](#)) on the ISENSE pin is charged. When the converter starts switching, the primary peak current slowly increases as the soft start capacitor discharges through the soft start resistor (R6, see [Figure 3](#)).

The soft start time constant is set by the soft start capacitor value chosen. The soft start resistor value must also be taken into account, but this value is typically defined by the overpower compensation (see [Section 7.10](#)).

### 7.12 Low-power operation

In low-power operation switching losses are reduced by lowering the switching frequency. The converter switching frequency is reduced and the peak current is set to 25 % of the maximum peak current (see [Figure 6](#) and [Figure 9](#)).

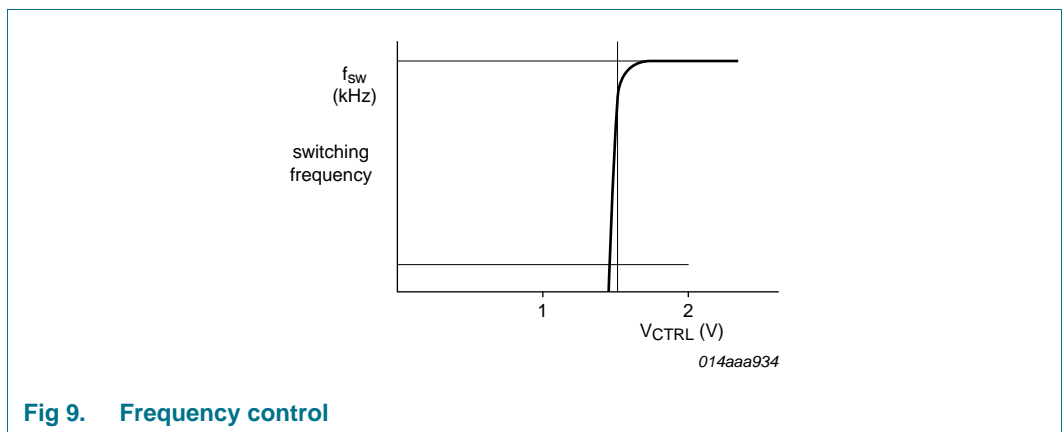


Fig 9. Frequency control

### 7.13 Driver (DRIVER pin)

The driver circuit to the gate of the power MOSFET has a current sourcing capability of typically  $-300$  mA and a current sink capability of typically  $750$  mA. This allows for a fast turn-on and turn-off of the power MOSFET for efficient operation.

## 7.14 OverTemperature Protection (OTP)

Integrated overtemperature protection ensures the IC stops switching if the junction temperature exceeds the thermal temperature shutdown limit.

OTP is a latched protection and it can be reset by removing the voltage on pin VCC.

## 8. Limiting values

**Table 3. Limiting values**

*In accordance with the Absolute Maximum Rating System (IEC 60134).*

Symbol	Parameter	Conditions	Min	Max	Unit	
<b>Voltages</b>						
V <sub>CC</sub>	supply voltage	continuous	-0.4	+30	V	
		t < 100 ms	-	35	V	
V <sub>VINSENSE</sub>	voltage on pin VINSENSE	current limited	-0.4	+5.5	V	
V <sub>PROTECT</sub>	voltage on pin PROTECT	current limited	-0.4	+5	V	
V <sub>CTRL</sub>	voltage on pin CTRL		-0.4	+5.5	V	
V <sub>IO(OPTIMER)</sub>	input/output voltage on pin OPTIMER		-0.4	+5	V	
V <sub>ISENSE</sub>	voltage on pin ISENSE	current limited	-0.4	+5	V	
<b>Currents</b>						
I <sub>cc</sub>	current on pin VCC	δ < 10 %	-	+0.4	A	
I <sub>I(VINSENSE)</sub>	input current on pin VINSENSE		-1	+1	mA	
I <sub>I(PROTECT)</sub>	input current on pin PROTECT		-1	+1	mA	
I <sub>CTRL</sub>	current on pin CTRL		-3	0	mA	
I <sub>ISENSE</sub>	current on pin ISENSE		-10	+1	mA	
I <sub>DRIVER</sub>	current on pin DRIVER	δ < 10 %	-0.4	+1	A	
<b>General</b>						
P <sub>tot</sub>	total power dissipation	T <sub>amb</sub> < 75 °C	-	0.5	W	
T <sub>stg</sub>	storage temperature		-55	+150	°C	
T <sub>j</sub>	junction temperature		-40	+150	°C	
<b>ESD</b>						
V <sub>ESD</sub>	electrostatic discharge voltage	class 1				
		human body model	[1]	-	4000	V
		charged device model		-	750	V

[1] Equivalent to discharging a 100 pF capacitor through a 1.5 kΩ series resistor.

## 9. Thermal characteristics

**Table 4. Thermal characteristics**

Symbol	Parameter	Conditions	Typ	Unit
$R_{th(j-a)}$	thermal resistance from junction to ambient	in free air; JEDEC test board	150	K/W
$R_{th(j-c)}$	thermal resistance from junction to case	in free air; JEDEC test board	79	K/W

## 10. Characteristics

**Table 5. Characteristics**

$T_{amb} = 25\text{ °C}$ ;  $V_{CC} = 20\text{ V}$ ; all voltages are measured with respect to ground (pin 2); currents are positive when flowing into the IC; unless otherwise specified.

Symbol	Parameter	Conditions	Min	Typ	Max	Unit
<b>Supply voltage management (pin VCC)</b>						
$V_{startup}$	start-up voltage		18.6	20.6	22.6	V
$V_{th(UVLO)}$	undervoltage lockout threshold voltage		11.2	12.2	13.2	V
$V_{clamp(VCC)}$	clamp voltage on pin VCC	activated during restart	-	$V_{startup} + 1$	-	V
		activated during latched protection	-	$V_{rst(latch)} + 1$	-	V
$V_{hys}$	hysteresis voltage	$V_{startup} - V_{th(UVLO)}$	8	9	10	V
$I_{CC(startup)}$	start-up supply current	$V_{CC} < V_{startup}$	5	10	15	$\mu\text{A}$
$I_{CC(oper)}$	operating supply current	no load on pin DRIVER; excluding opto current	0.4	0.5	0.6	mA
$V_{rst(latch)}$	latched reset voltage		4	5	6	V
<b>Input voltage sensing (pin VINSENSE)</b>						
$V_{start(VINSENSE)}$	start voltage on pin VINSENSE	detection level	0.89	0.94	0.99	V
$V_{det(L)(VINSENSE)}$	LOW-level detection voltage on pin VINSENSE		0.68	0.72	0.76	V
$V_{det(H)(VINSENSE)}$	HIGH-level detection voltage on pin VINSENSE		3.39	3.52	3.65	V
$I_{O(VINSENSE)}$	output current on pin VINSENSE		-	-20	-	nA
$V_{clamp(VINSENSE)}$	clamp voltage on pin VINSENSE	$I_{I(VINSENSE)} = 50\text{ }\mu\text{A}$	-	5.2	-	V
<b>Protection input (pin PROTECT)</b>						
$V_{det(L)(PROTECT)}$	LOW-level detection voltage on pin PROTECT		0.47	0.50	0.53	V
$V_{det(H)(PROTECT)}$	HIGH-level detection voltage on pin PROTECT		0.75	0.8	0.85	V

**Table 5. Characteristics ...continued**

$T_{amb} = 25\text{ °C}$ ;  $V_{CC} = 20\text{ V}$ ; all voltages are measured with respect to ground (pin 2); currents are positive when flowing into the IC; unless otherwise specified.

Symbol	Parameter	Conditions	Min	Typ	Max	Unit
$I_{O(PROTECT)}$	output current on pin PROTECT	$V_{PROTECT} = V_{low(PROTECT)}$	-34	-32	-30	$\mu\text{A}$
		$V_{PROTECT} = V_{high(PROTECT)}$	87	107	127	$\mu\text{A}$
$V_{clamp(PROTECT)}$	clamp voltage on pin PROTECT	$I_{I(PROTECT)} = 200\ \mu\text{A}$	[1] 3.5	4.1	4.7	V
<b>Peak current control (pin CTRL)</b>						
$V_{CTRL}$	voltage on pin CTRL	for minimum flyback peak current	1.5	1.8	2.1	V
		for maximum flyback peak current	3.4	3.9	4.3	V
$R_{int(CTRL)}$	internal resistance on pin CTRL		5	7	9	k $\Omega$
$I_{O(CTRL)}$	output current on pin CTRL	$V_{CTRL} = 1.4\text{ V}$	-0.7	-0.5	-0.3	mA
		$V_{CTRL} = 3.7\text{ V}$	-0.28	-0.2	-0.12	mA
<b>Pulse width modulator</b>						
$f_{osc}$	oscillator frequency		62	66.5	71	kHz
$f_{mod}$	modulation frequency		210	280	350	Hz
$\Delta f_{mod}$	modulation frequency variation		$\pm 3$	$\pm 4$	$\pm 5$	kHz
$\delta_{max}$	maximum duty cycle		68.5	72	79	%
$V_{start(red)f}$	frequency reduction start voltage	pin CTRL	1.5	1.8	2.1	V
$V_{\delta(zero)}$	zero duty cycle voltage	pin CTRL	1.25	1.55	1.85	V
<b>Overpower protection (pin OPTIMER)</b>						
$V_{prot(OPTIMER)}$	protection voltage on pin OPTIMER		2.4	2.5	2.6	V
$I_{prot(OPTIMER)}$	protection current on pin OPTIMER	no overpower situation	100	150	200	$\mu\text{A}$
		overpower situation	-12.2	-10.7	-9.2	$\mu\text{A}$
<b>Restart timer (pin OPTIMER)</b>						
$V_{restart(OPTIMER)}$	restart voltage on pin OPTIMER	low level	0.8	1.2	1.6	V
		high level	4.1	4.5	4.9	V
$I_{restart(OPTIMER)}$	restart current on pin OPTIMER	charging OPTIMER capacitor	-127	-107	-87	$\mu\text{A}$
		discharging OPTIMER capacitor	-0.1	0	0.1	$\mu\text{A}$
<b>Current sense (pin ISENSE)</b>						
$V_{sense(max)}$	maximum sense voltage	$\Delta V/\Delta t = 50\text{ mV}/\mu\text{s}$ ; $V_{VISENSE} = 0.78\text{ V}$	0.48	0.51	0.54	V
		$\Delta V/\Delta t = 200\text{ mV}/\mu\text{s}$ ; $V_{VISENSE} = 0.78\text{ V}$	0.50	0.53	0.56	V
$V_{th(sense)opp}$	overpower protection sense threshold voltage		370	400	430	mV
$\Delta V_{ISENSE}/\Delta t$	slope compensation voltage on pin ISENSE	$\Delta V/\Delta t = 50\text{ mV}/\mu\text{s}$	17	25	33	mV/ $\mu\text{s}$

**Table 5. Characteristics ...continued**

$T_{amb} = 25\text{ °C}$ ;  $V_{CC} = 20\text{ V}$ ; all voltages are measured with respect to ground (pin 2); currents are positive when flowing into the IC; unless otherwise specified.

Symbol	Parameter	Conditions	Min	Typ	Max	Unit
$t_{leb}$	leading edge blanking time		250	300	350	ns
<b>Overpower compensation (pin VINSENSE and pin ISENSE)</b>						
$I_{opc(ISENSE)}$	overpower compensation current on pin ISENSE	$V_{VINSENSE} = 1\text{ V}$ ; $V_{sense(max)} > 400\text{ mV}$	-	0.28	-	$\mu\text{A}$
		$V_{VINSENSE} = 3\text{ V}$ ; $V_{sense(max)} > 400\text{ mV}$	-	1.7	-	$\mu\text{A}$
<b>Soft start (pin ISENSE)</b>						
$I_{start(soft)}$	soft start current		-63	-55	-47	$\mu\text{A}$
$V_{start(soft)}$	soft start voltage	$V_{CTRL} = 4\text{ V}$ ; enable voltage	-	$V_{sense(max)}$	-	V
$R_{start(soft)}$	soft start resistance		12	-	-	$\text{k}\Omega$
<b>Driver (pin DRIVER)</b>						
$I_{source(DRIVER)}$	source current on pin DRIVER	$V_{DRIVER} = 2\text{ V}$	-	-0.3	-0.25	A
$I_{sink(DRIVER)}$	sink current on pin DRIVER	$V_{DRIVER} = 2\text{ V}$	0.25	0.3	-	A
		$V_{DRIVER} = 10\text{ V}$	0.6	0.75	-	A
$V_{O(DRIVER)max}$	maximum output voltage on pin DRIVER		9	10.5	12	V
<b>Temperature protection</b>						
$T_{pl(IC)}$	IC protection level temperature		130	140	150	$^{\circ}\text{C}$

[1] The clamp voltage on the PROTECT pin is lowered when the IC is in power-down (latched or restart protection).

## 11. Application information

A power supply with the TEA1733CT is a flyback converter operating in Continuous conduction mode (See [Figure 10](#)).

Capacitor C5 buffers the IC supply voltage, which is powered via resistor R3 at start-up and via the auxiliary winding during normal operation. Sense resistor R9 converts the current through the MOSFET S1 into a voltage on pin ISENSE. The value of R9 defines the maximum primary peak current on MOSFET S1. Resistor R7 reduces the peak current to capacitor C5.

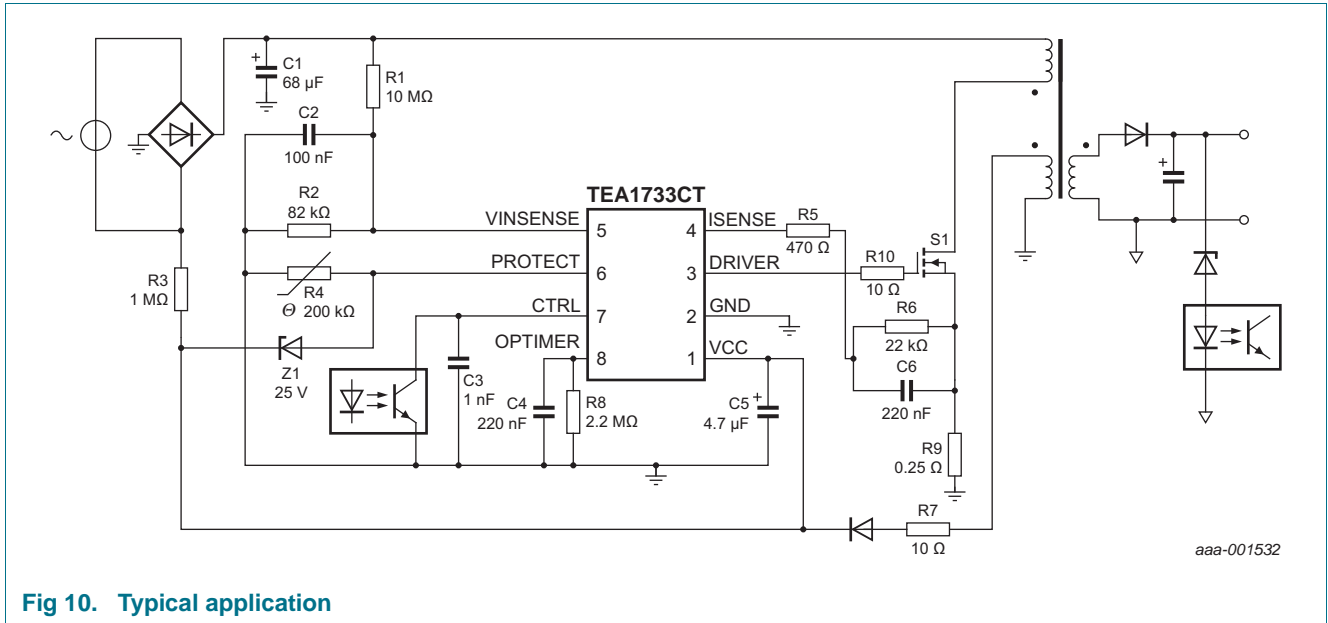
In the example shown in [Figure 10](#), the PROTECT pin is used for OVP and OTP. Diode Z1 sets the OVP level to  $V_{CC} = 25.8\text{ V}$ . The Negative Temperature Coefficient (NTC) resistor R4 sets the OTP level. The VINSENSE pin is used for mains voltage detection and resistors R1 and R2 set the start voltage to about 80 V (AC). Capacitor C4 defines the overpower protection time at 60 ms.

Capacitor C4 and resistor R8 define the restart time at 0.5 s.

Resistor R6 and capacitor C6 define the soft start time. Resistor R5 prevents the soft start capacitor C6 from being charged during normal operation caused by negative voltage spikes across the current sense resistor R9.

Capacitor C3 reduces noise on the CTRL pin.

See the application note for more information ([Ref. 1](#)).



12. Package outline

SO8: plastic small outline package; 8 leads; body width 3.9 mm

SOT96-1

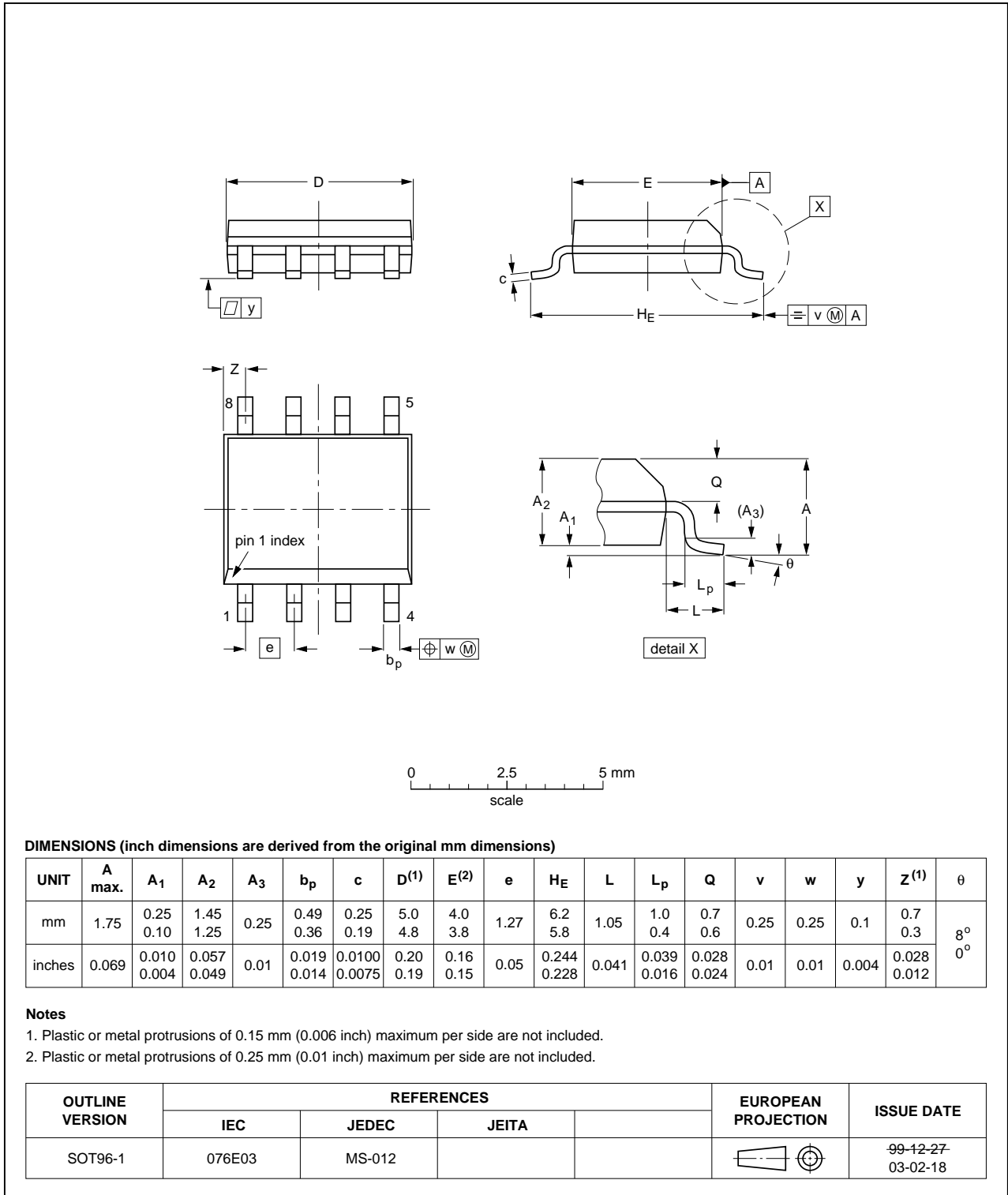


Fig 11. Package outline SOT96-1 (SO8)

## 13. References

---

- [1] **AN10868** — GreenChip TEA1733 series fixed frequency flyback controller



## 14. Revision history

Table 6. Revision history

Document ID	Release date	Data sheet status	Change notice	Supersedes
TEA1733CT v.2	20130716	Product data sheet	-	TEA1733CT v.1
Modifications:		<ul style="list-style-type: none"><li>• <a href="#">Section 11 “Application information”</a> has been updated.</li><li>• <a href="#">Section 13 “References”</a> has been added.</li></ul>		
TEA1733CT v.1	20120119	Product data sheet	-	-

## 15. Legal information

### 15.1 Data sheet status

Document status <sup>[1][2]</sup>	Product status <sup>[3]</sup>	Definition
Objective [short] data sheet	Development	This document contains data from the objective specification for product development.
Preliminary [short] data sheet	Qualification	This document contains data from the preliminary specification.
Product [short] data sheet	Production	This document contains the product specification.

[1] Please consult the most recently issued document before initiating or completing a design.

[2] The term 'short data sheet' is explained in section "Definitions".

[3] The product status of device(s) described in this document may have changed since this document was published and may differ in case of multiple devices. The latest product status information is available on the Internet at URL <http://www.nxp.com>.

### 15.2 Definitions

**Draft** — The document is a draft version only. The content is still under internal review and subject to formal approval, which may result in modifications or additions. NXP Semiconductors does not give any representations or warranties as to the accuracy or completeness of information included herein and shall have no liability for the consequences of use of such information.

**Short data sheet** — A short data sheet is an extract from a full data sheet with the same product type number(s) and title. A short data sheet is intended for quick reference only and should not be relied upon to contain detailed and full information. For detailed and full information see the relevant full data sheet, which is available on request via the local NXP Semiconductors sales office. In case of any inconsistency or conflict with the short data sheet, the full data sheet shall prevail.

**Product specification** — The information and data provided in a Product data sheet shall define the specification of the product as agreed between NXP Semiconductors and its customer, unless NXP Semiconductors and customer have explicitly agreed otherwise in writing. In no event however, shall an agreement be valid in which the NXP Semiconductors product is deemed to offer functions and qualities beyond those described in the Product data sheet.

### 15.3 Disclaimers

**Limited warranty and liability** — Information in this document is believed to be accurate and reliable. However, NXP Semiconductors does not give any representations or warranties, expressed or implied, as to the accuracy or completeness of such information and shall have no liability for the consequences of use of such information. NXP Semiconductors takes no responsibility for the content in this document if provided by an information source outside of NXP Semiconductors.

In no event shall NXP Semiconductors be liable for any indirect, incidental, punitive, special or consequential damages (including - without limitation - lost profits, lost savings, business interruption, costs related to the removal or replacement of any products or rework charges) whether or not such damages are based on tort (including negligence), warranty, breach of contract or any other legal theory.

Notwithstanding any damages that customer might incur for any reason whatsoever, NXP Semiconductors' aggregate and cumulative liability towards customer for the products described herein shall be limited in accordance with the *Terms and conditions of commercial sale* of NXP Semiconductors.

**Right to make changes** — NXP Semiconductors reserves the right to make changes to information published in this document, including without limitation specifications and product descriptions, at any time and without notice. This document supersedes and replaces all information supplied prior to the publication hereof.

**Suitability for use** — NXP Semiconductors products are not designed, authorized or warranted to be suitable for use in life support, life-critical or safety-critical systems or equipment, nor in applications where failure or malfunction of an NXP Semiconductors product can reasonably be expected to result in personal injury, death or severe property or environmental damage. NXP Semiconductors and its suppliers accept no liability for inclusion and/or use of NXP Semiconductors products in such equipment or applications and therefore such inclusion and/or use is at the customer's own risk.

**Applications** — Applications that are described herein for any of these products are for illustrative purposes only. NXP Semiconductors makes no representation or warranty that such applications will be suitable for the specified use without further testing or modification.

Customers are responsible for the design and operation of their applications and products using NXP Semiconductors products, and NXP Semiconductors accepts no liability for any assistance with applications or customer product design. It is customer's sole responsibility to determine whether the NXP Semiconductors product is suitable and fit for the customer's applications and products planned, as well as for the planned application and use of customer's third party customer(s). Customers should provide appropriate design and operating safeguards to minimize the risks associated with their applications and products.

NXP Semiconductors does not accept any liability related to any default, damage, costs or problem which is based on any weakness or default in the customer's applications or products, or the application or use by customer's third party customer(s). Customer is responsible for doing all necessary testing for the customer's applications and products using NXP Semiconductors products in order to avoid a default of the applications and the products or of the application or use by customer's third party customer(s). NXP does not accept any liability in this respect.

**Limiting values** — Stress above one or more limiting values (as defined in the Absolute Maximum Ratings System of IEC 60134) will cause permanent damage to the device. Limiting values are stress ratings only and (proper) operation of the device at these or any other conditions above those given in the Recommended operating conditions section (if present) or the Characteristics sections of this document is not warranted. Constant or repeated exposure to limiting values will permanently and irreversibly affect the quality and reliability of the device.

**Terms and conditions of commercial sale** — NXP Semiconductors products are sold subject to the general terms and conditions of commercial sale, as published at <http://www.nxp.com/profile/terms>, unless otherwise agreed in a valid written individual agreement. In case an individual agreement is concluded only the terms and conditions of the respective agreement shall apply. NXP Semiconductors hereby expressly objects to applying the customer's general terms and conditions with regard to the purchase of NXP Semiconductors products by customer.

**No offer to sell or license** — Nothing in this document may be interpreted or construed as an offer to sell products that is open for acceptance or the grant, conveyance or implication of any license under any copyrights, patents or other industrial or intellectual property rights.

**Export control** — This document as well as the item(s) described herein may be subject to export control regulations. Export might require a prior authorization from competent authorities.

**Non-automotive qualified products** — Unless this data sheet expressly states that this specific NXP Semiconductors product is automotive qualified, the product is not suitable for automotive use. It is neither qualified nor tested in accordance with automotive testing or application requirements. NXP Semiconductors accepts no liability for inclusion and/or use of non-automotive qualified products in automotive equipment or applications.

In the event that customer uses the product for design-in and use in automotive applications to automotive specifications and standards, customer (a) shall use the product without NXP Semiconductors' warranty of the product for such automotive applications, use and specifications, and (b) whenever customer uses the product for automotive applications beyond NXP Semiconductors' specifications such use shall be solely at customer's

own risk, and (c) customer fully indemnifies NXP Semiconductors for any liability, damages or failed product claims resulting from customer design and use of the product for automotive applications beyond NXP Semiconductors' standard warranty and NXP Semiconductors' product specifications.

**Translations** — A non-English (translated) version of a document is for reference only. The English version shall prevail in case of any discrepancy between the translated and English versions.

## 15.4 Trademarks

Notice: All referenced brands, product names, service names and trademarks are the property of their respective owners.

**GreenChip** — is a trademark of NXP B.V.

## 16. Contact information

For more information, please visit: <http://www.nxp.com>

For sales office addresses, please send an email to: [salesaddresses@nxp.com](mailto:salesaddresses@nxp.com)

**17. Contents**

**1 General description . . . . . 1**

**2 Features and benefits . . . . . 1**

2.1 Features . . . . . 1

**3 Applications . . . . . 2**

**4 Ordering information . . . . . 2**

**5 Block diagram . . . . . 3**

**6 Pinning information . . . . . 4**

6.1 Pinning . . . . . 4

6.2 Pin description . . . . . 4

**7 Functional description . . . . . 5**

7.1 General control . . . . . 5

7.2 Start-up and UnderVoltage LockOut (UVLO) . . . . . 5

7.3 Supply management . . . . . 6

7.4 Input voltage detection (VINSENSE pin) . . . . . 6

7.5 Protection input (PROTECT PIN) . . . . . 6

7.6 Duty cycle control (CTRL pin) . . . . . 7

7.7 Slope compensation (CTRL pin) . . . . . 7

7.8 Overpower timer (OPTIMER pin) . . . . . 7

7.9 Current mode control (ISENSE pin) . . . . . 8

7.10 Overpower or high/low line compensation (VINSENSE and ISENSE pins) . . . . . 8

7.11 Soft start-up (ISENSE pin) . . . . . 9

7.12 Low-power operation . . . . . 9

7.13 Driver (DRIVER pin) . . . . . 9

7.14 OverTemperature Protection (OTP) . . . . . 10

**8 Limiting values . . . . . 10**

**9 Thermal characteristics . . . . . 11**

**10 Characteristics . . . . . 11**

**11 Application information . . . . . 13**

**12 Package outline . . . . . 15**

**13 References . . . . . 16**

**14 Revision history . . . . . 17**

**15 Legal information . . . . . 18**

15.1 Data sheet status . . . . . 18

15.2 Definitions . . . . . 18

15.3 Disclaimers . . . . . 18

15.4 Trademarks . . . . . 19

**16 Contact information . . . . . 19**

**17 Contents . . . . . 20**

Please be aware that important notices concerning this document and the product(s) described herein, have been included in section 'Legal information'.

© NXP B.V. 2013. All rights reserved.

For more information, please visit: <http://www.nxp.com>  
 For sales office addresses, please send an email to: [salesaddresses@nxp.com](mailto:salesaddresses@nxp.com)

Date of release: 16 July 2013  
 Document identifier: TEA1733CT